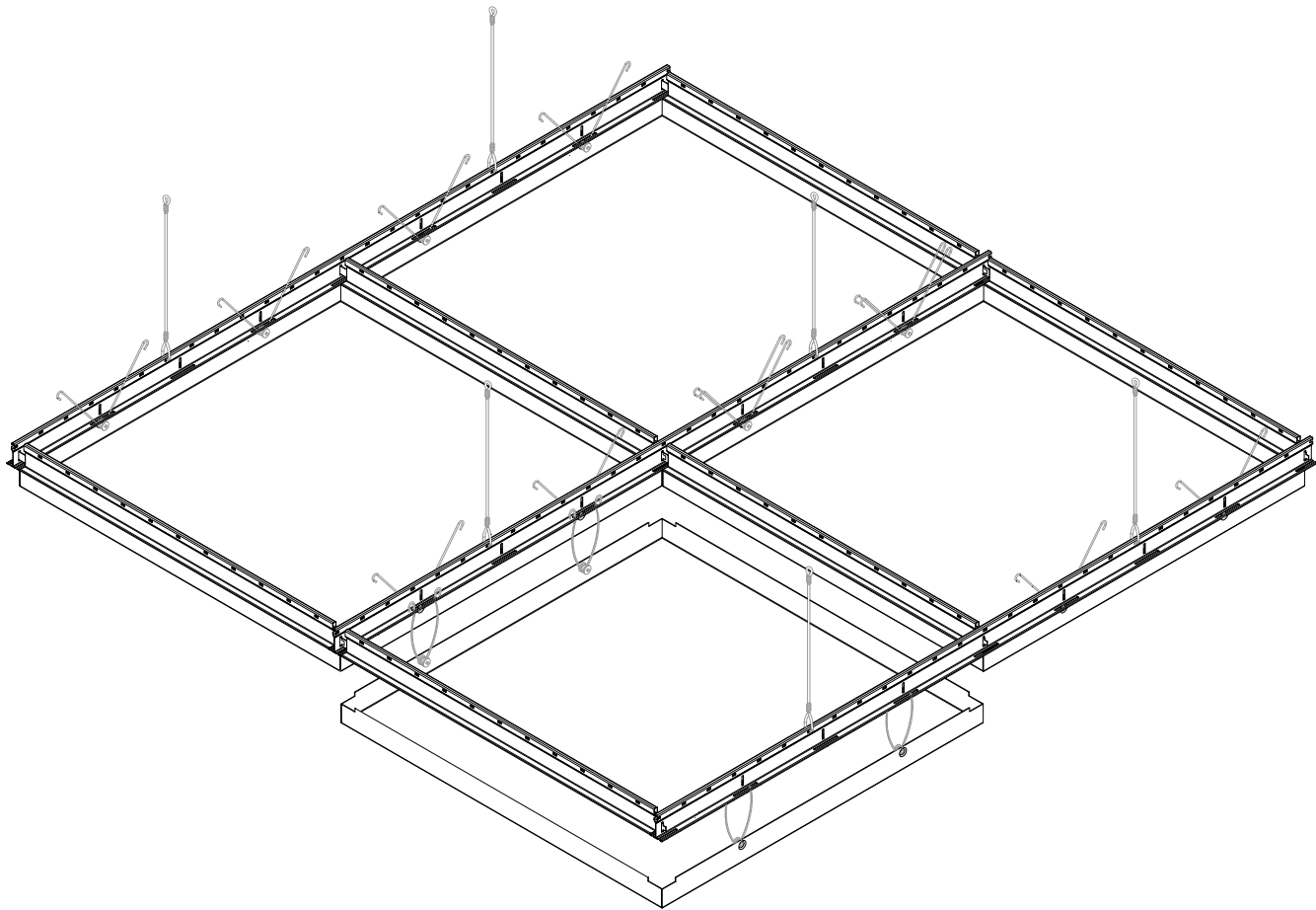


HAVEN SERIES (CEILING)



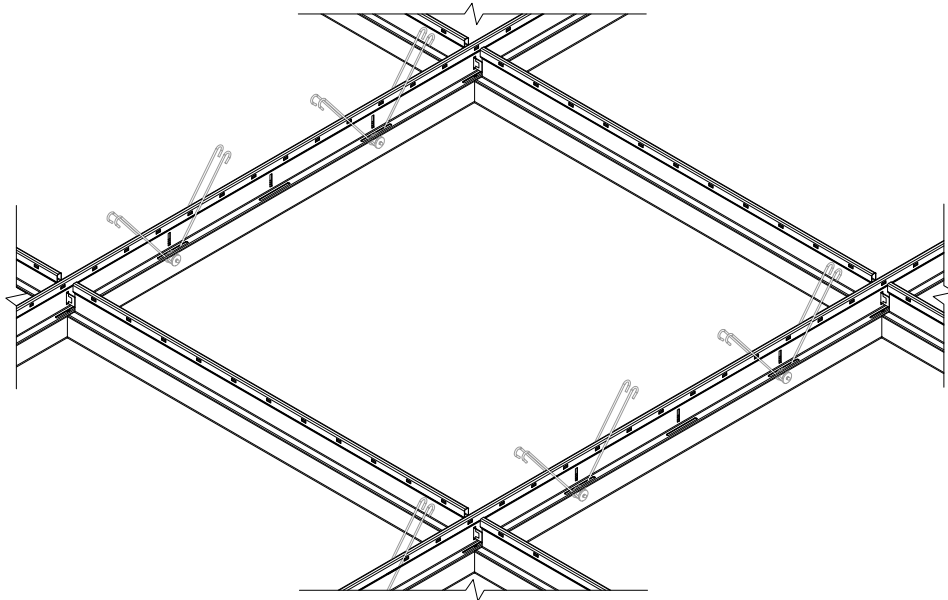
EXTERIOR INTERIOR DSCSP02

**Any copy hereof issued by CARRITEC must be kept confidential and used by the recipient only for the specific purpose for which it is issued in conjunction with materials supplied or purchased and listed hereon.*

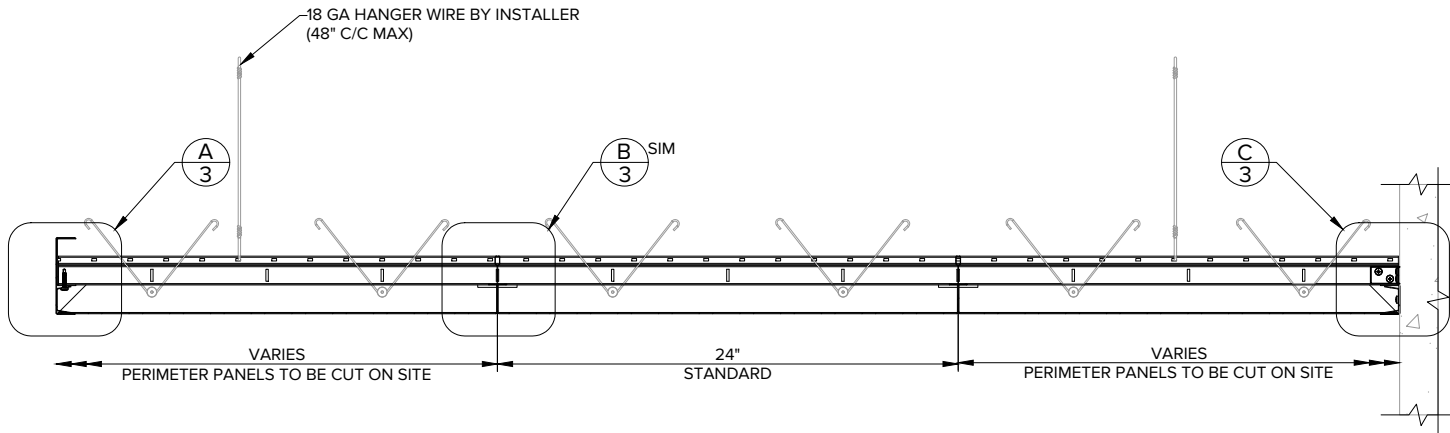
**Dimensions are imperial.*



HAVEN SERIES (CEILING)



ISOMETRIC VIEW



TRANSVERSAL SECTION

EXTERIOR INTERIOR DSCSP02

*Any copy hereof issued by CARRITEC must be kept confidential and used by the recipient only for the specific purpose for which it is issued in conjunction with materials supplied or purchased and listed hereon.

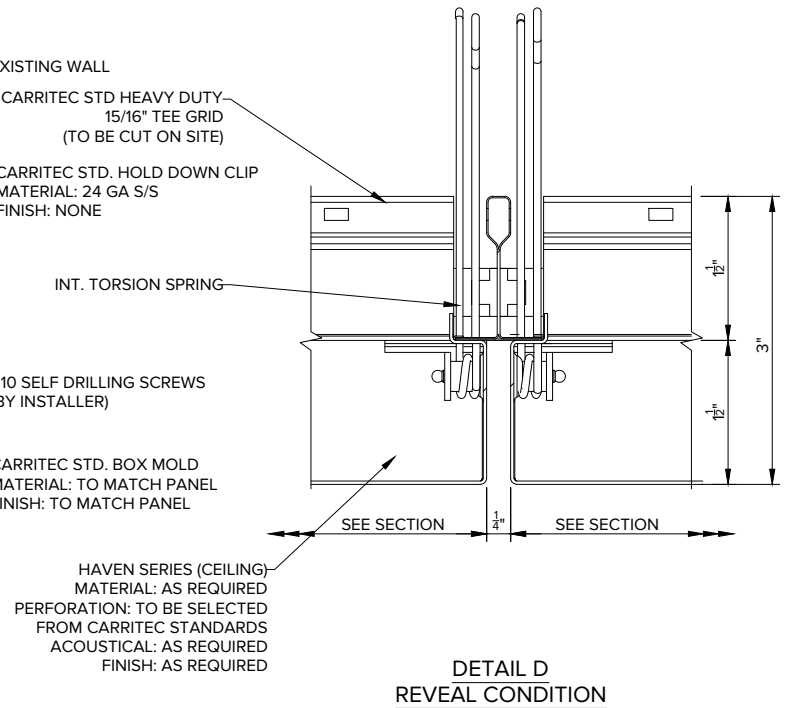
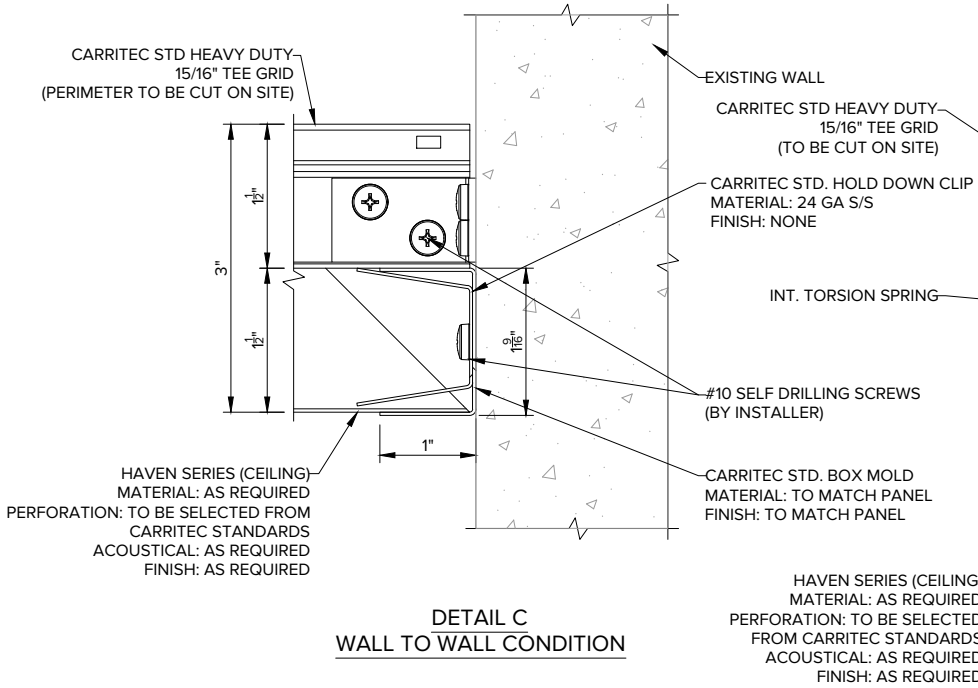
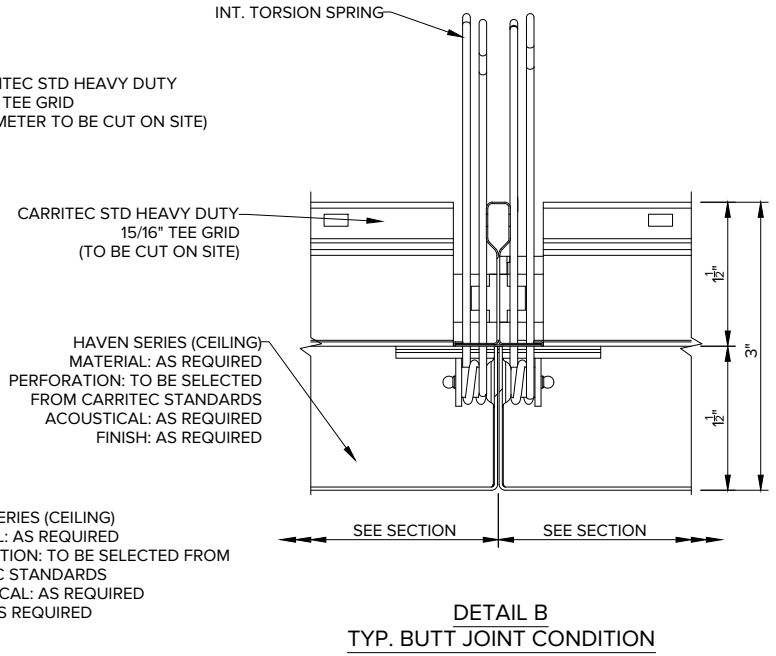
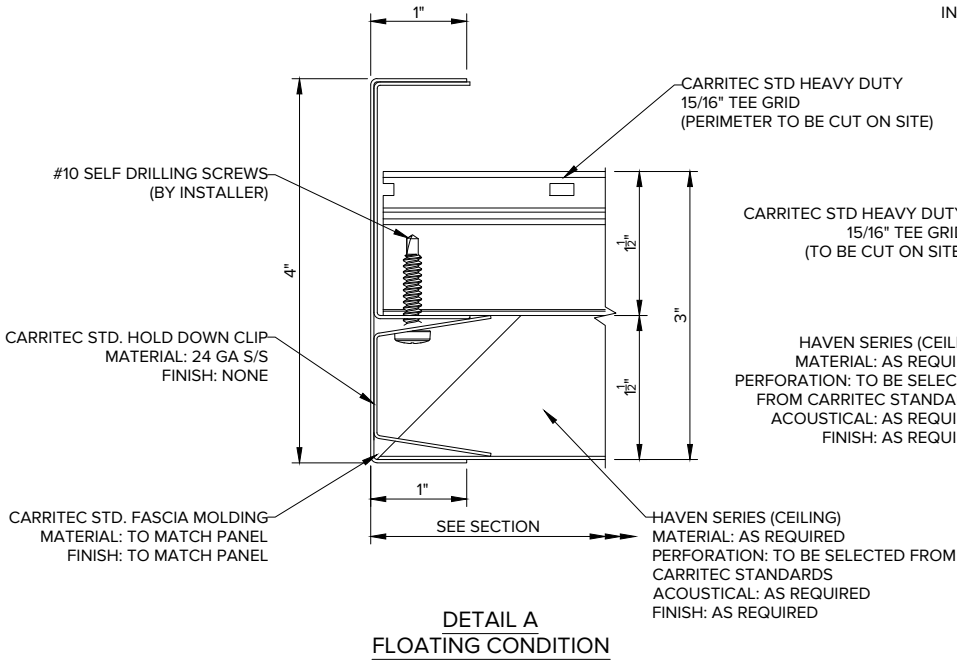
*Dimensions are imperial.

TOLERANCES (UNLESS OTHERWISE SPECIFIED):

- FRACTIONS: +1/64
- ANGLES: ± 0.5
- DECIMALS: -.XX ± 0.03
- : -.XXX ± 0.015



HAVEN SERIES (CEILING)



EXTERIOR INTERIOR DSCSP02

*Any copy hereof issued by CARRITEC must be kept confidential and used by the recipient only for the specific purpose for which it is issued in conjunction with materials supplied or purchased and listed hereon.

*Dimensions are imperial.

TOLERANCES (UNLESS OTHERWISE SPECIFIED):
 FRACTIONS: +1/64
 ANGLES: ± 0.5
 DECIMALS: - .XX ± 0.03
 - .XXX ± 0.015

