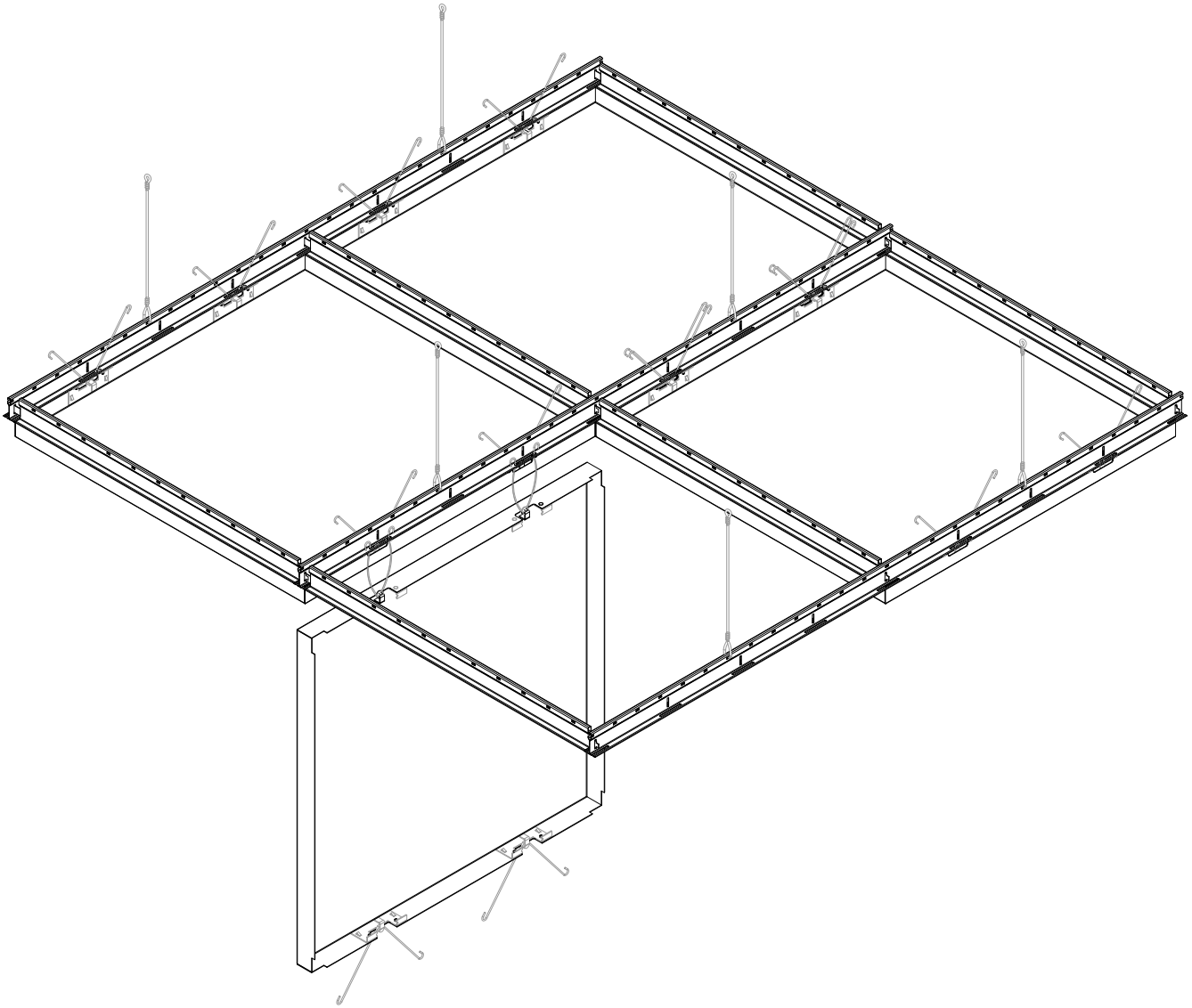


EASY HAVEN SERIES (CEILING)



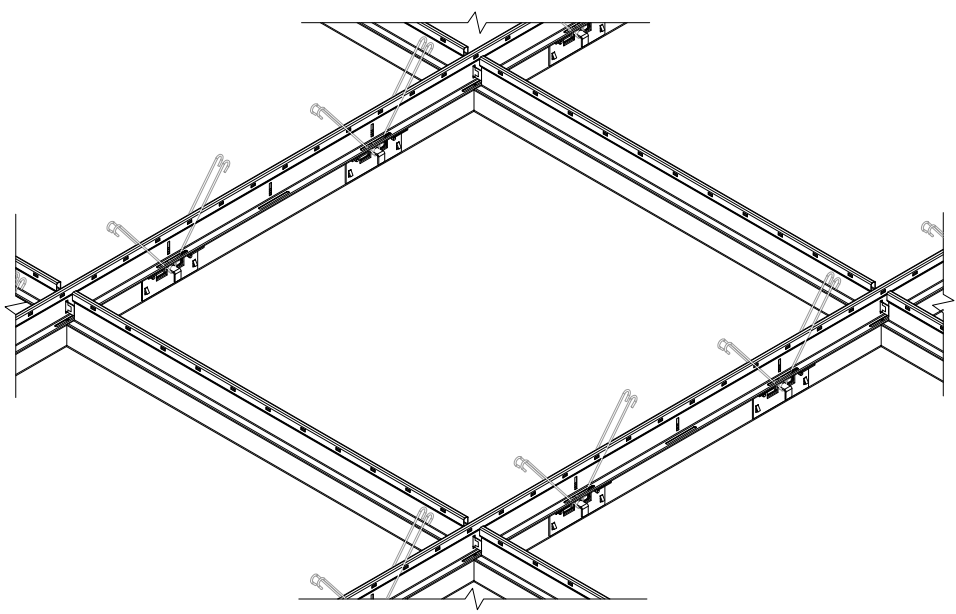
EXTERIOR INTERIOR DSCSP03

**Any copy hereof issued by CARRITEC must be kept confidential and used by the recipient only for the specific purpose for which it is issued in conjunction with materials supplied or purchased and listed hereon.*

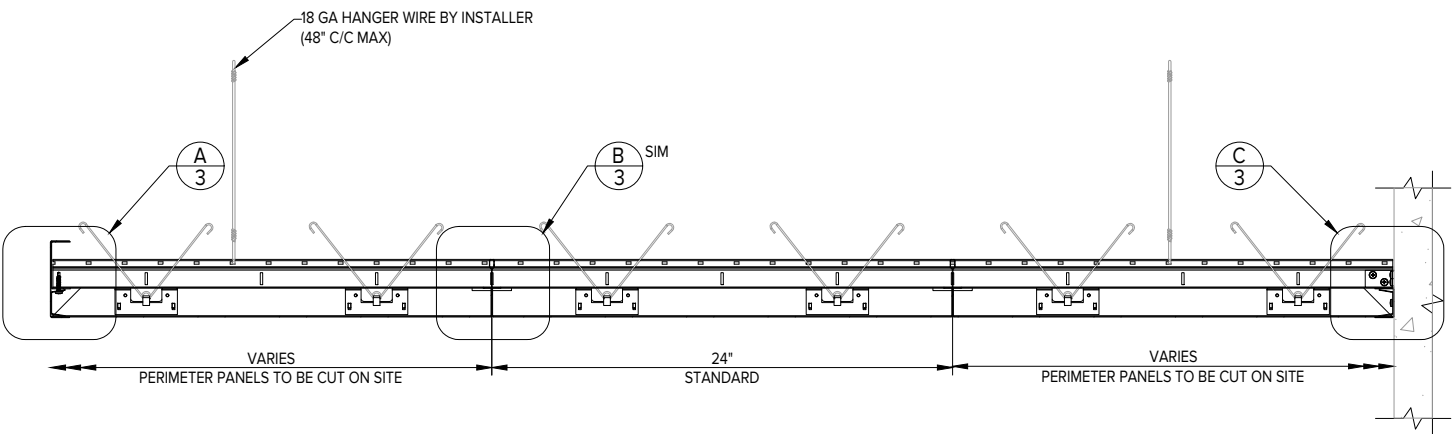
**Dimensions are imperial.*



EASY HAVEN SERIES (CEILING)



ISOMETRIC VIEW



TRANSVERSAL SECTION

EXTERIOR INTERIOR DSCSP03

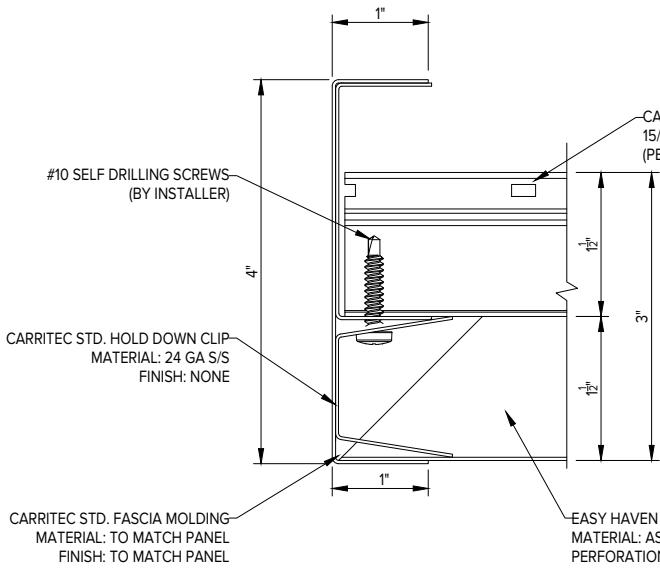
*Any copy hereof issued by CARRITEC must be kept confidential and used by the recipient only for the specific purpose for which it is issued in conjunction with materials supplied or purchased and listed hereon.

*Dimensions are imperial.

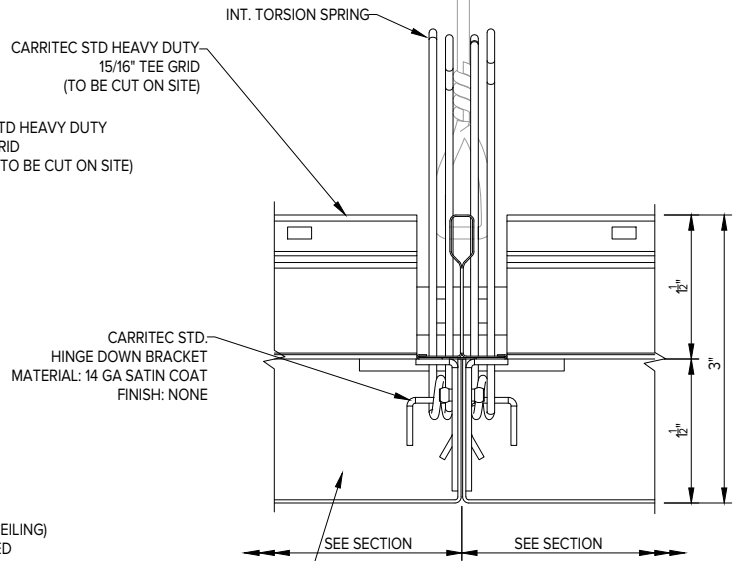
TOLERANCES (UNLESS OTHERWISE SPECIFIED):
 FRACTIONS: +1/64
 ANGLES: ± 0.5
 DECIMALS: - .XX ± 0.03
 - .XXX ± 0.015



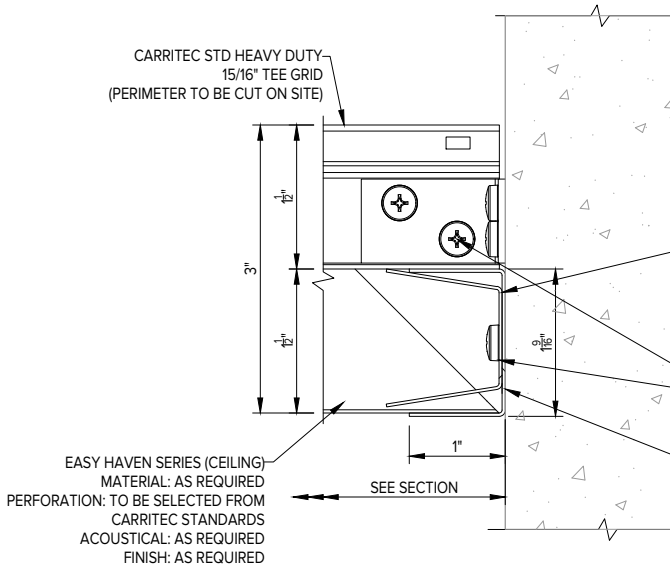
EASY HAVEN SERIES (CEILING)



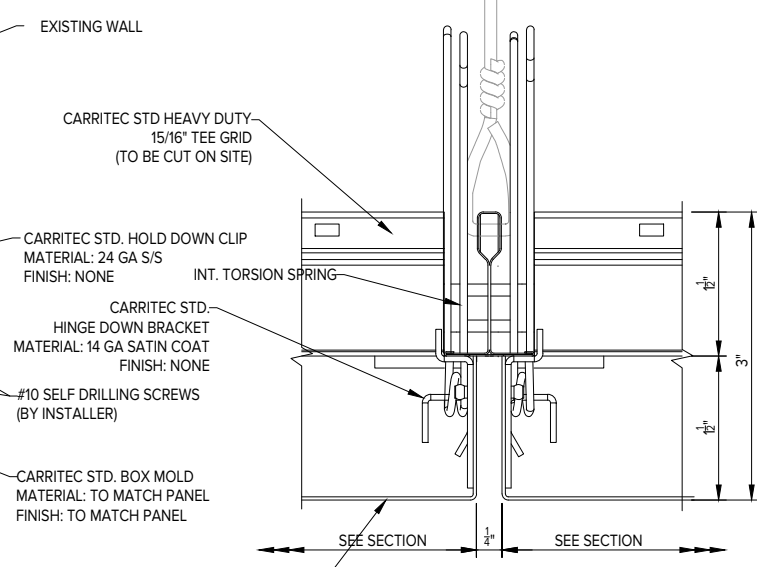
DETAIL A
FLOATING CONDITION



DETAIL B
TYP. BUTT JOINT CONDITION



DETAIL C
WALL TO WALL CONDITION



DETAIL D
REVEAL CONDITION

EASY HAVEN SERIES (CEILING)
MATERIAL: AS REQUIRED
PERFORATION: TO BE SELECTED FROM
CARRITEC STANDARDS
ACOUSTICAL: AS REQUIRED
FINISH: AS REQUIRED

EASY HAVEN SERIES (CEILING)
MATERIAL: AS REQUIRED
PERFORATION: TO BE SELECTED FROM
CARRITEC STANDARDS
ACOUSTICAL: AS REQUIRED
FINISH: AS REQUIRED

EASY HAVEN SERIES (CEILING)
MATERIAL: AS REQUIRED
PERFORATION: TO BE SELECTED FROM
CARRITEC STANDARDS
ACOUSTICAL: AS REQUIRED
FINISH: AS REQUIRED

EXTERIOR INTERIOR DSCSP03

*Any copy hereof issued by CARRITEC must be kept confidential and used by the recipient only for the specific purpose for which it is issued in conjunction with materials supplied or purchased and listed hereon.

*Dimensions are imperial.

TOLERANCES (UNLESS OTHERWISE SPECIFIED):
FRACTIONS: + 1/64
ANGLES: ± 0.5
DECIMALS: - .XX ± 0.03
- .XXX ± 0.015

