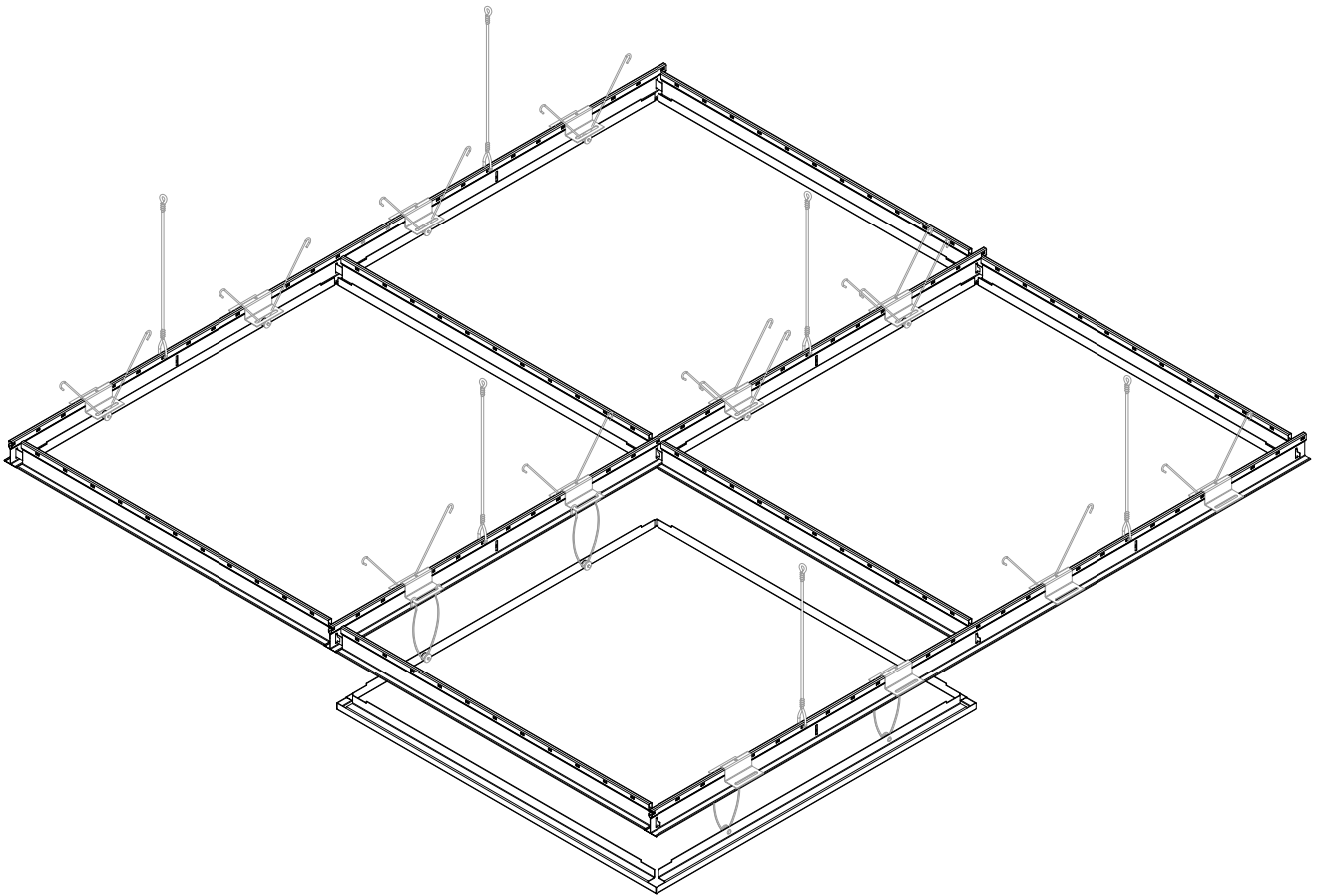


NEW HAVEN SERIES (CEILING)



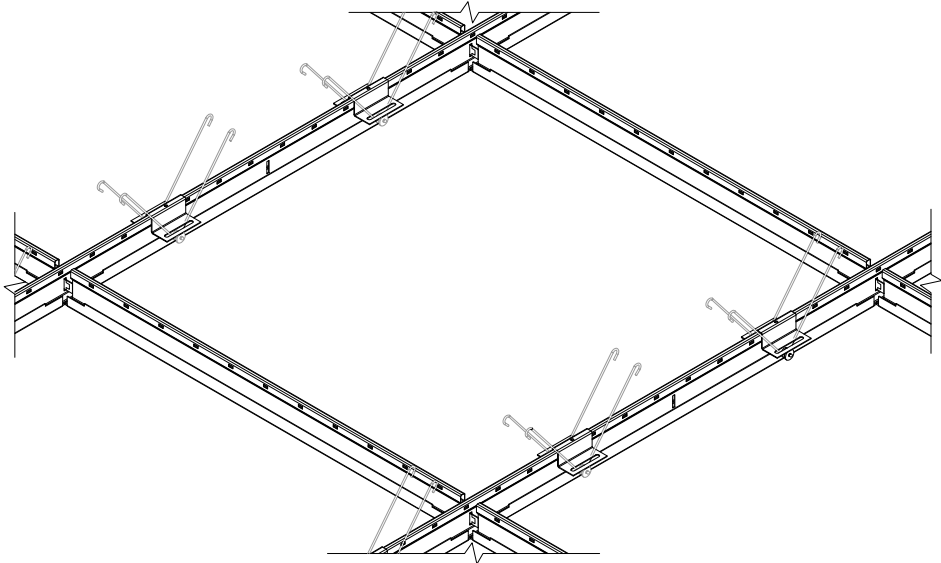
EXTERIOR INTERIOR DSCSP04

**Any copy hereof issued by CARRITEC must be kept confidential and used by the recipient only for the specific purpose for which it is issued in conjunction with materials supplied or purchased and listed hereon.*

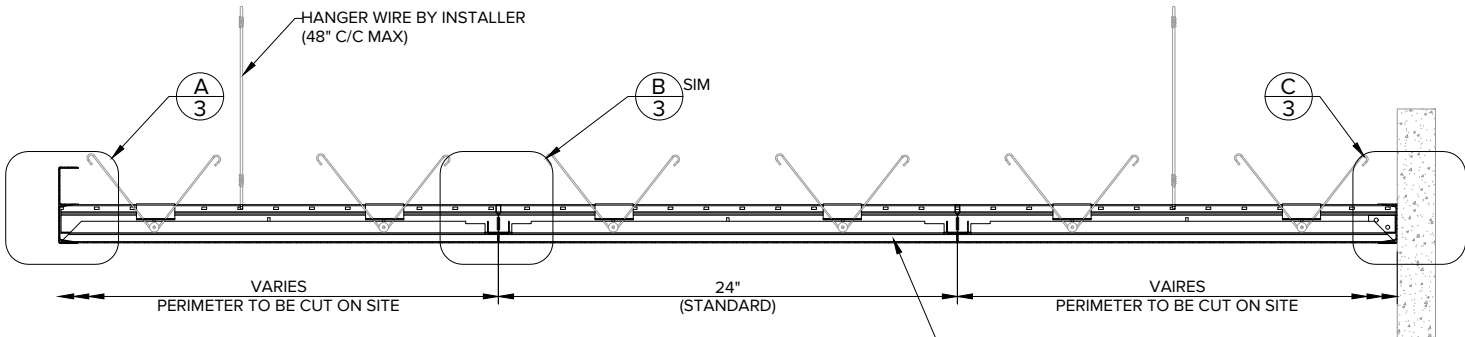
**Dimensions are imperial.*



NEW HAVEN SERIES (CEILING)



ISOMETRIC VIEW



TRANSVERSAL SECTION

NEW HAVEN SERIES (CEILING)
 MATERIAL: AS REQUIRED
 PERFORATION: TO BE SELECTED FROM CARRITEC STANDARDS
 ACOUSTICAL: AS REQUIRED
 FINISH: AS REQUIRED

EXTERIOR INTERIOR DSCSP04

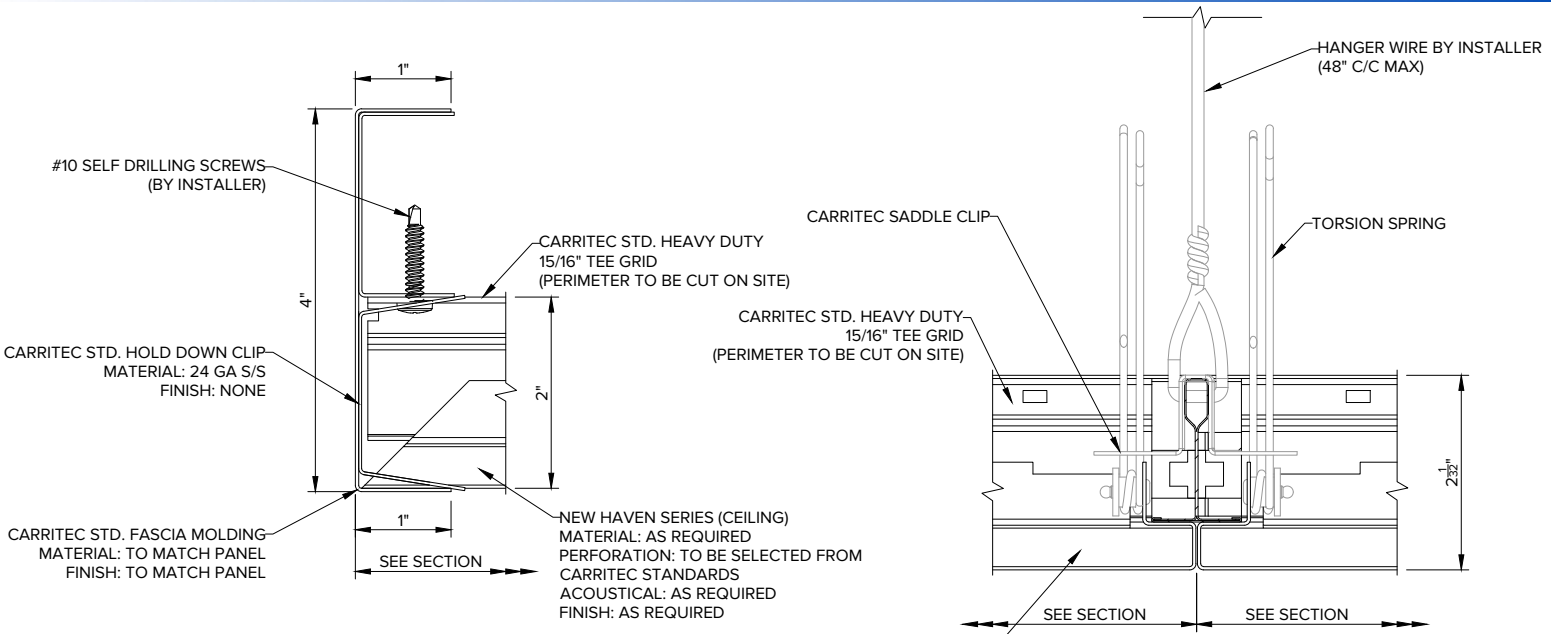
*Any copy hereof issued by CARRITEC must be kept confidential and used by the recipient only for the specific purpose for which it is issued in conjunction with materials supplied or purchased and listed herein.

*Dimensions are imperial.

TOLERANCES (UNLESS OTHERWISE SPECIFIED):
 FRACTIONS: + 1/64
 ANGLES: ± 0.5
 DECIMALS: -.XX ± 0.03
 -.XXX ± 0.015

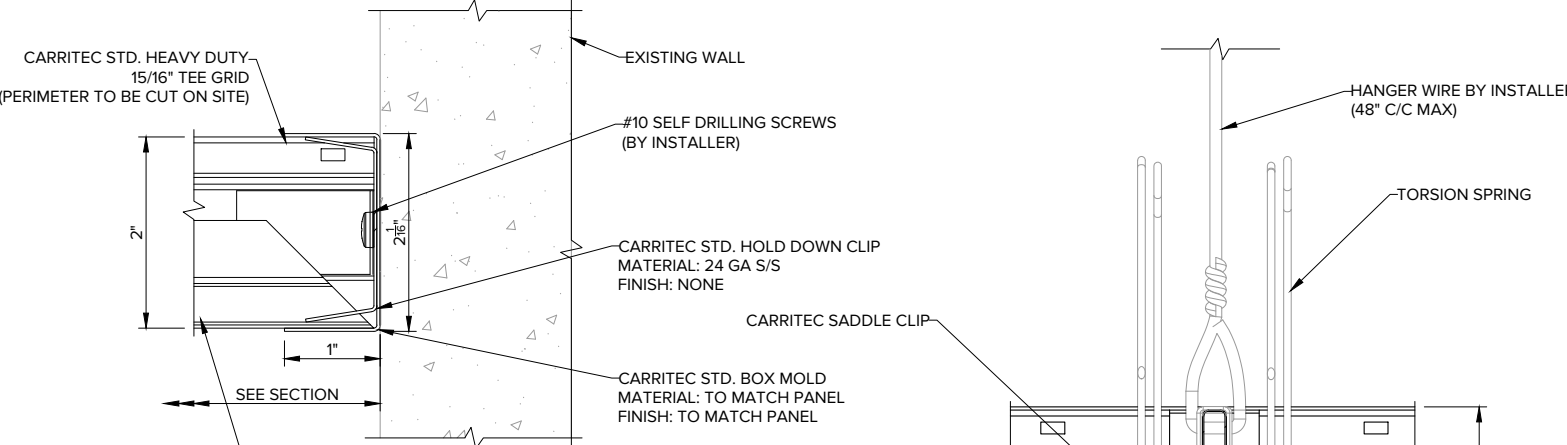


NEW HAVEN SERIES (CEILING)



DETAIL A
FLOATING CONDITION

DETAIL B
TYP. BUTT JOINT CONDITION



DETAIL C
WALL TO WALL CONDITION

DETAIL D
REVEAL CONDITION

EXTERIOR INTERIOR DSCSP04

*Any copy hereof issued by CARRITEC must be kept confidential and used by the recipient only for the specific purpose for which it is issued in conjunction with materials supplied or purchased and listed hereon.

*Dimensions are imperial.

TOLERANCES (UNLESS OTHERWISE SPECIFIED):
 FRACTIONS: + 1/64
 ANGLES: ± 0.5
 DECIMALS: -.XX ± 0.03
 -.XXX ± 0.015

