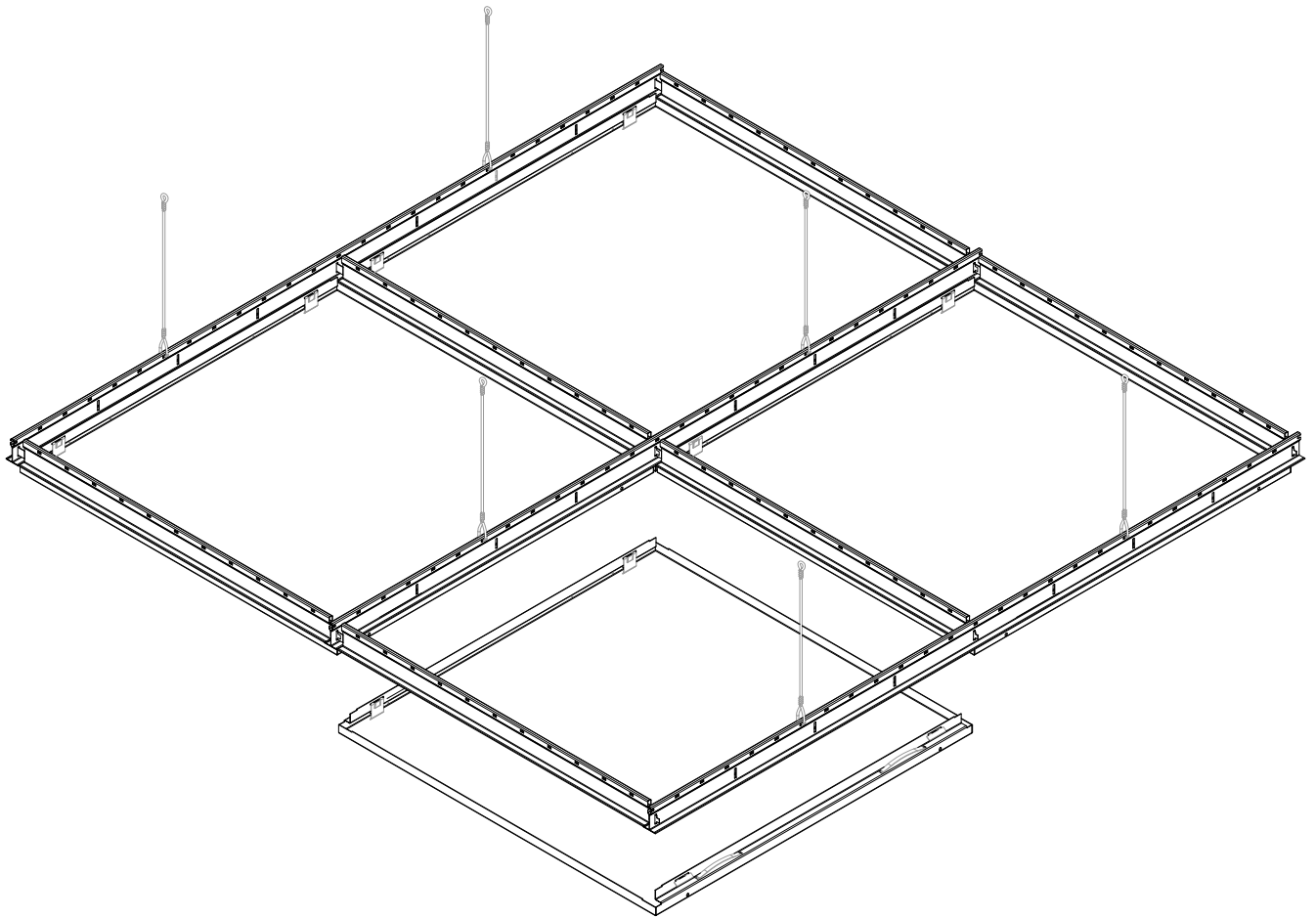


CIRRUS SERIES (CEILING)



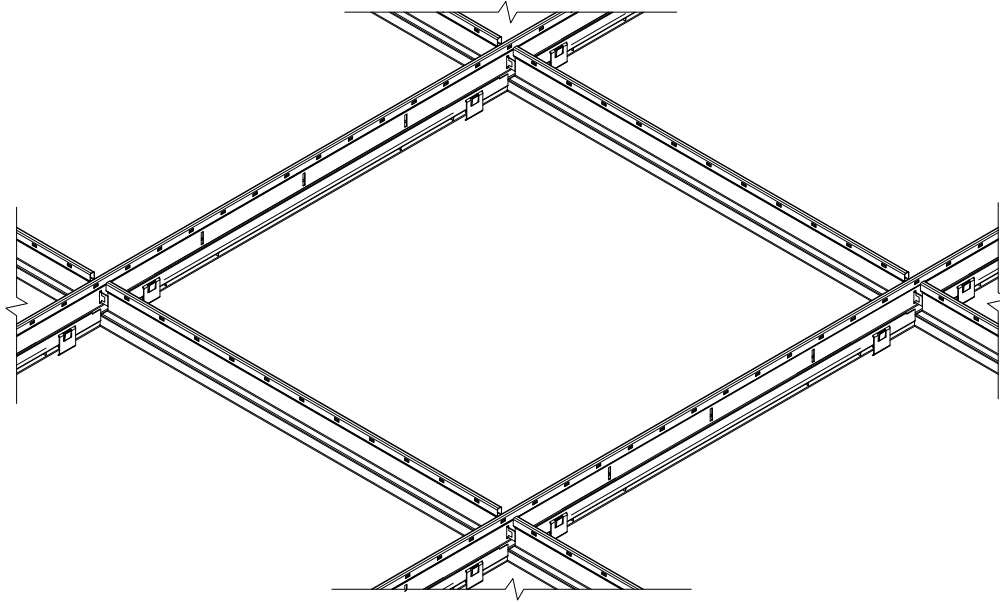
EXTERIOR INTERIOR DSCSP07

**Any copy hereof issued by CARRITEC must be kept confidential and used by the recipient only for the specific purpose for which it is issued in conjunction with materials supplied or purchased and listed hereon.*

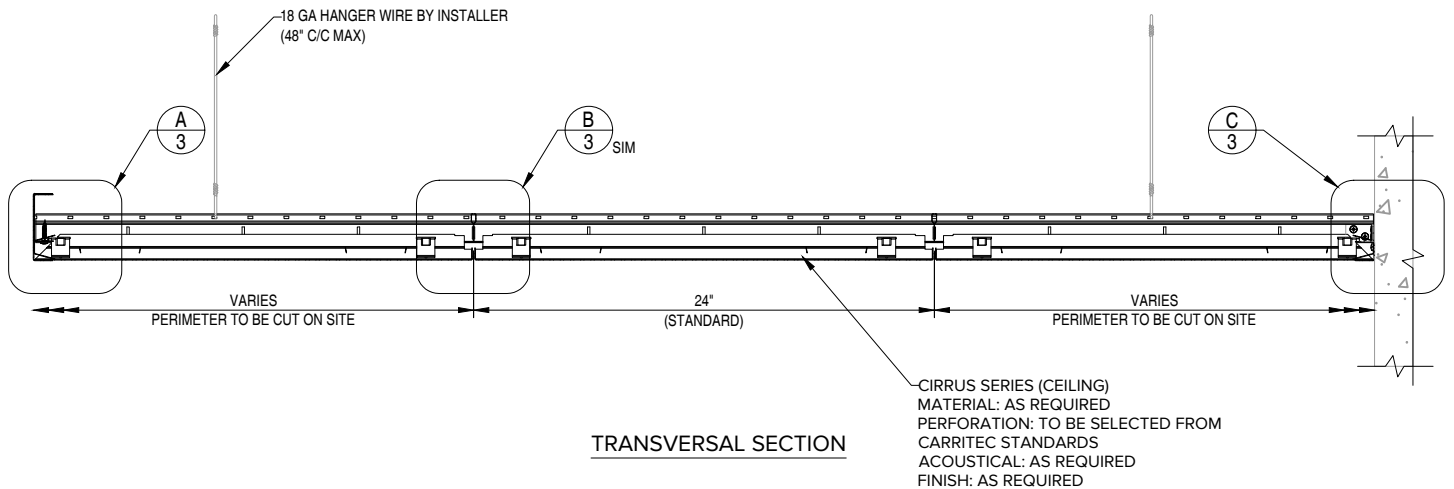
**Dimensions are imperial.*



CIRRUS SERIES (CEILING)



ISOMETRIC VIEW



TRANSVERSAL SECTION

CIRRUS SERIES (CEILING)
 MATERIAL: AS REQUIRED
 PERFORATION: TO BE SELECTED FROM
 CARRITEC STANDARDS
 ACOUSTICAL: AS REQUIRED
 FINISH: AS REQUIRED

EXTERIOR INTERIOR DSCSP07

*Any copy hereof issued by CARRITEC must be kept confidential and used by the recipient only for the specific purpose for which it is issued in conjunction with materials supplied or purchased and listed hereon.

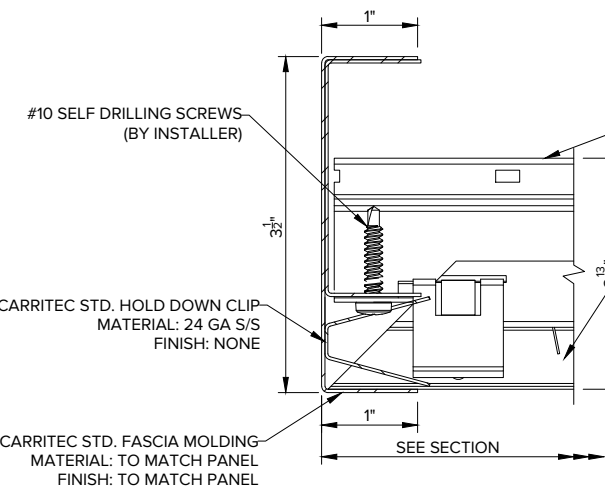
*Dimensions are imperial.

TOLERANCES (UNLESS OTHERWISE SPECIFIED):

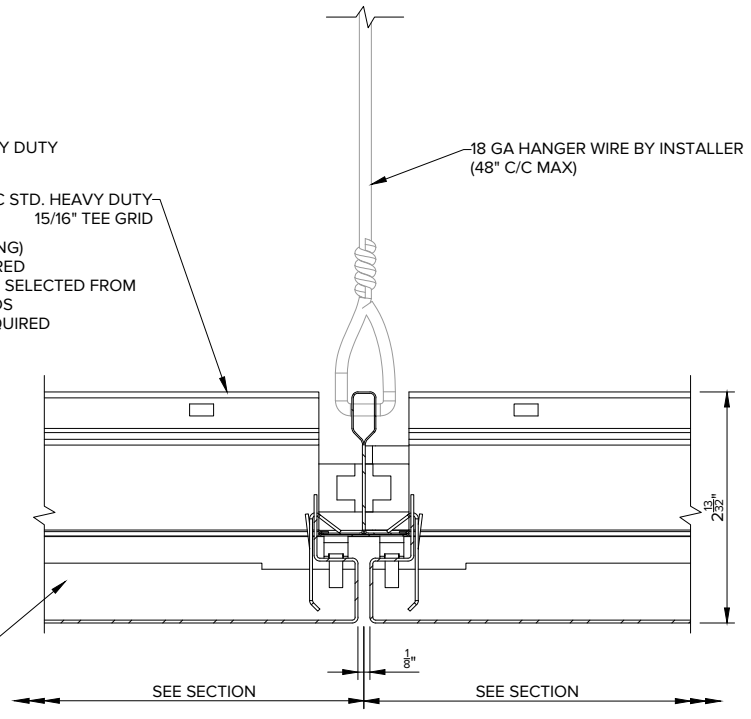
FRACTIONS: +1/64
 ANGLES: ± 0.5
 DECIMALS: -.XX ± 0.03
 -.XXX ± 0.015



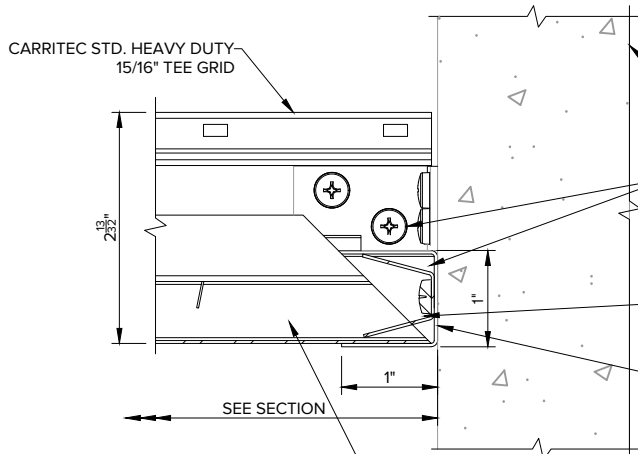
CIRRUS SERIES (CEILING)



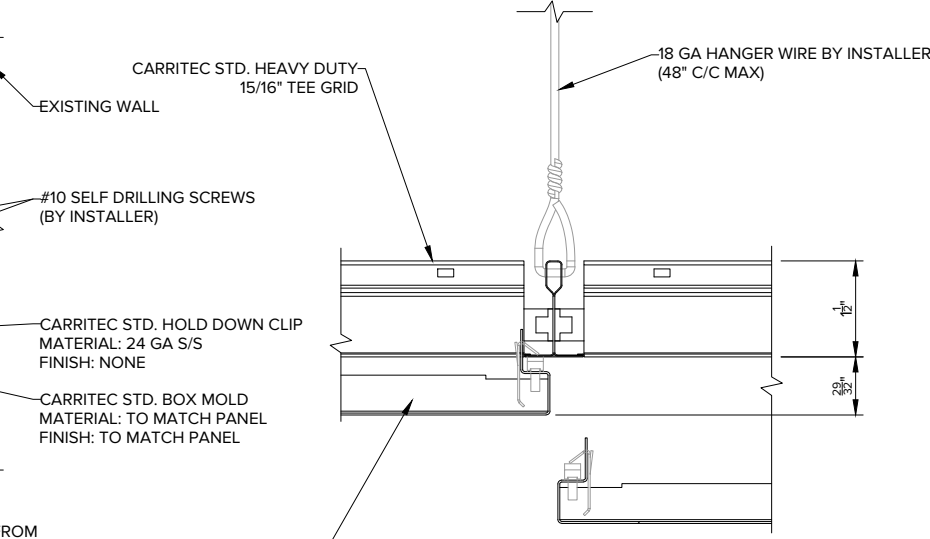
DETAIL A
FLOATING CONDITION



DETAIL B
TYP. BUTT JOINT CONDITION



DETAIL C
WALL TO WALL CONDITION



DETAIL D
OPENING FOR ACCESS

CIRRUS SERIES (CEILING)
MATERIAL: AS REQUIRED
PERFORATION: TO BE SELECTED FROM
CARRITEC STANDARDS
ACOUSTICAL: AS REQUIRED
FINISH: AS REQUIRED

CIRRUS SERIES (CEILING)
MATERIAL: AS REQUIRED
PERFORATION: TO BE SELECTED FROM
CARRITEC STANDARDS
ACOUSTICAL: AS REQUIRED
FINISH: AS REQUIRED

CIRRUS SERIES (CEILING)
MATERIAL: AS REQUIRED
PERFORATION: TO BE SELECTED FROM
CARRITEC STANDARDS
ACOUSTICAL: AS REQUIRED
FINISH: AS REQUIRED

EXTERIOR INTERIOR DSCSP07

*Any copy hereof issued by CARRITEC must be kept confidential and used by the recipient only for the specific purpose for which it is issued in conjunction with materials supplied or purchased and listed hereon.

*Dimensions are imperial.

TOLERANCES (UNLESS OTHERWISE SPECIFIED):
FRACTIONS: +1/64
ANGLES: ± 0.5
DECIMALS: - .XX ± 0.03
 - .XXX ± 0.015

