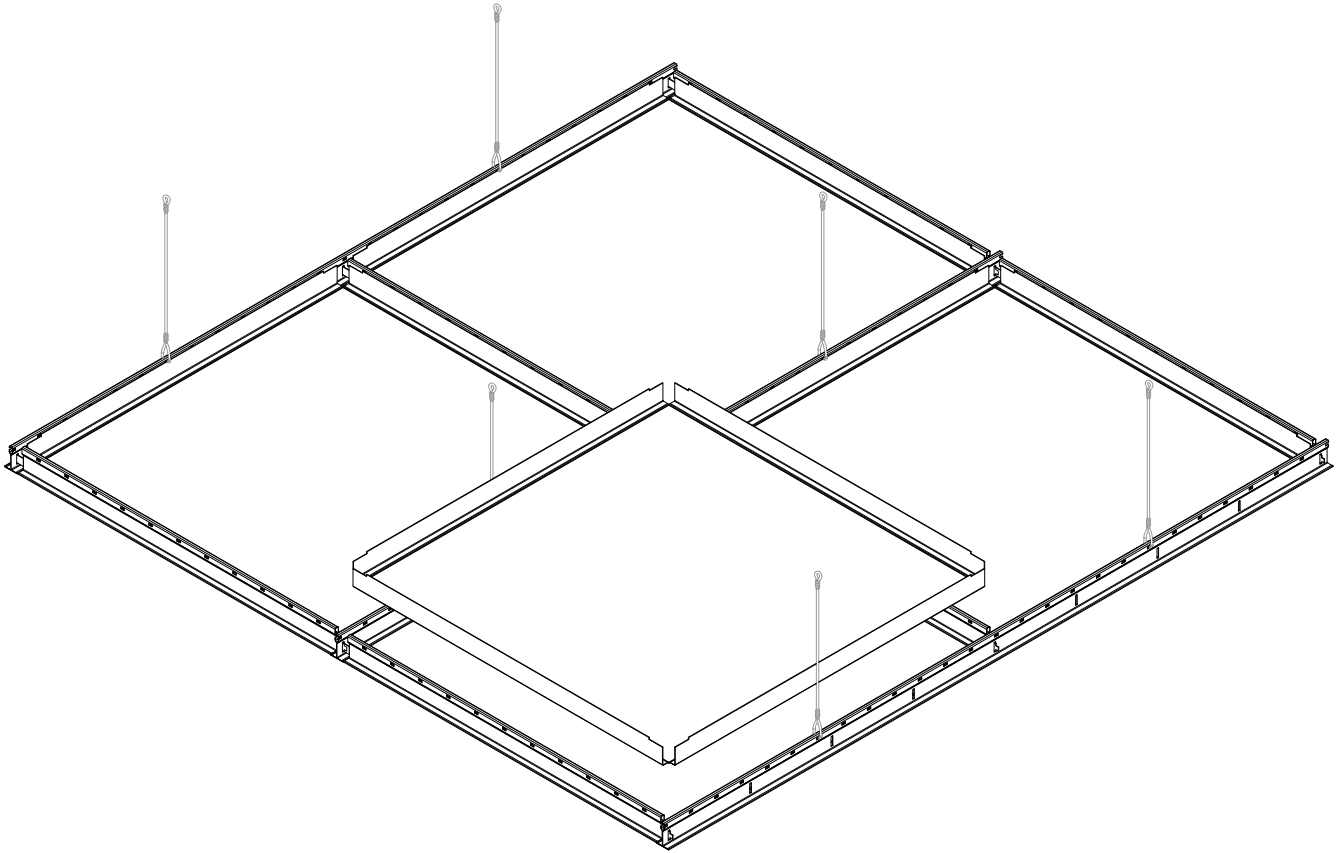


ZENITH SERIES (FLUSH, CEILING)



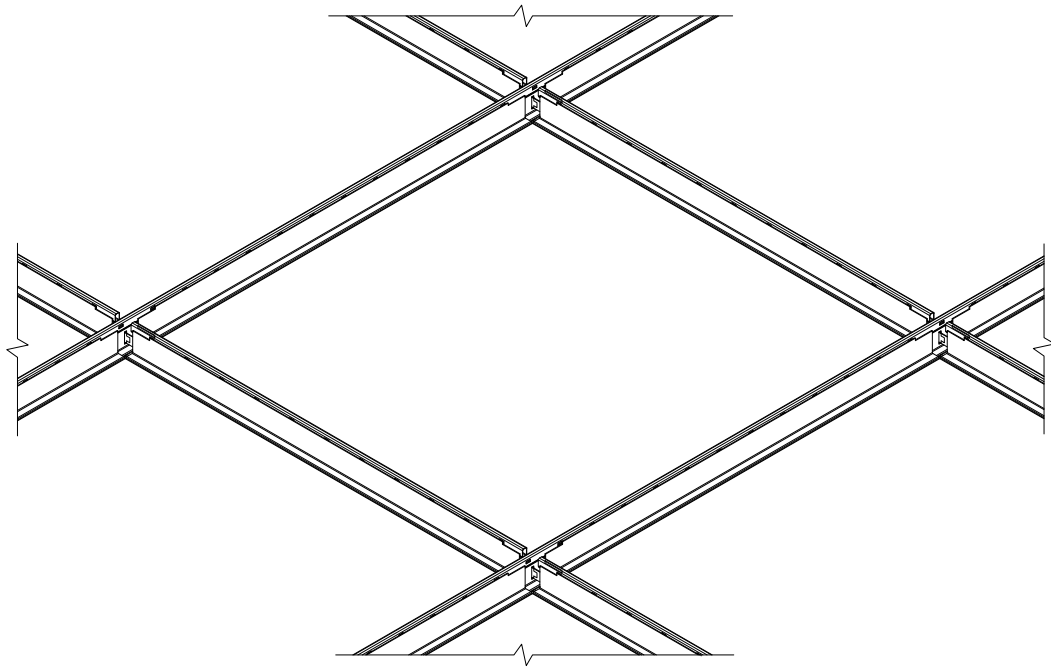
EXTERIOR INTERIOR DSCSP08

**Any copy hereof issued by CARRITEC must be kept confidential and used by the recipient only for the specific purpose for which it is issued in conjunction with materials supplied or purchased and listed hereon.*

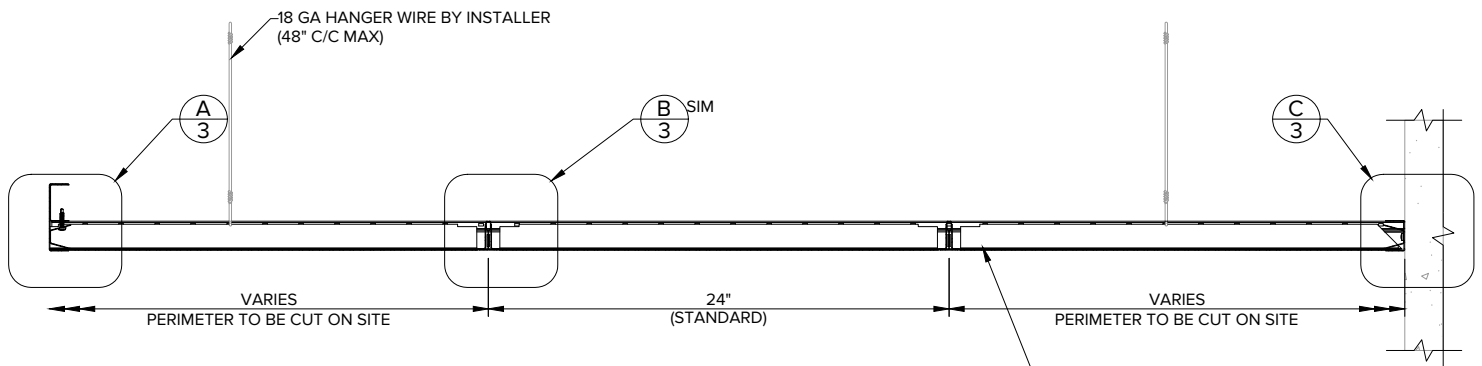
**Dimensions are imperial.*



ZENITH SERIES (FLUSH, CEILING)



ISOMETRIC VIEW



TRANSVERSAL SECTION

ZENITH SERIES (FLUSH, CEILING)
MATERIAL: AS REQUIRED
PERFORATION: TO BE SELECTED FROM
CARRITEC STANDARDS
ACOUSTICAL: AS REQUIRED
FINISH: AS REQUIRED

EXTERIOR INTERIOR DSCSP08

*Any copy hereof issued by CARRITEC must be kept confidential and used by the recipient only for the specific purpose for which it is issued in conjunction with materials supplied or purchased and listed hereon.

*Dimensions are imperial.

TOLERANCES (UNLESS OTHERWISE SPECIFIED):

FRACTIONS: +1/64

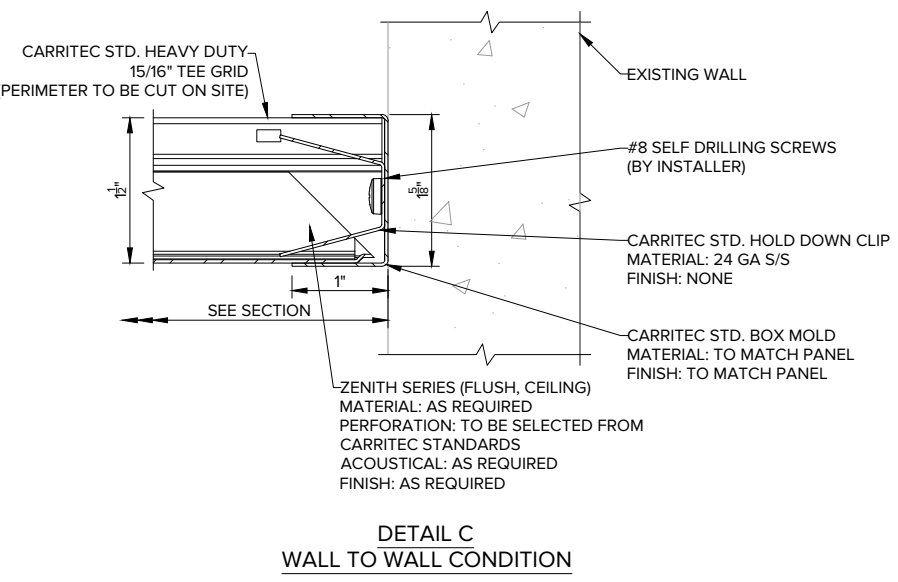
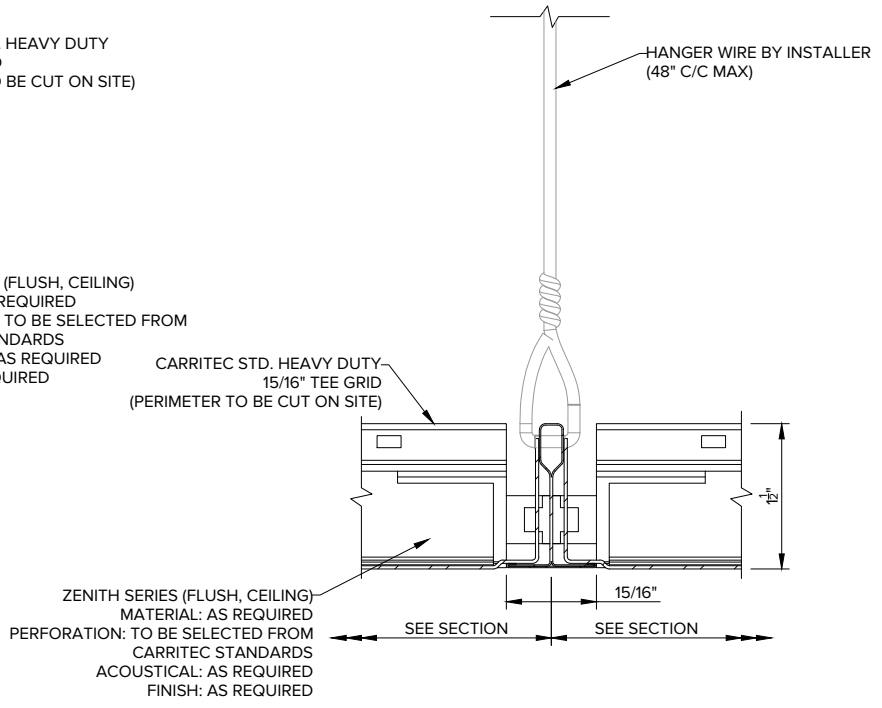
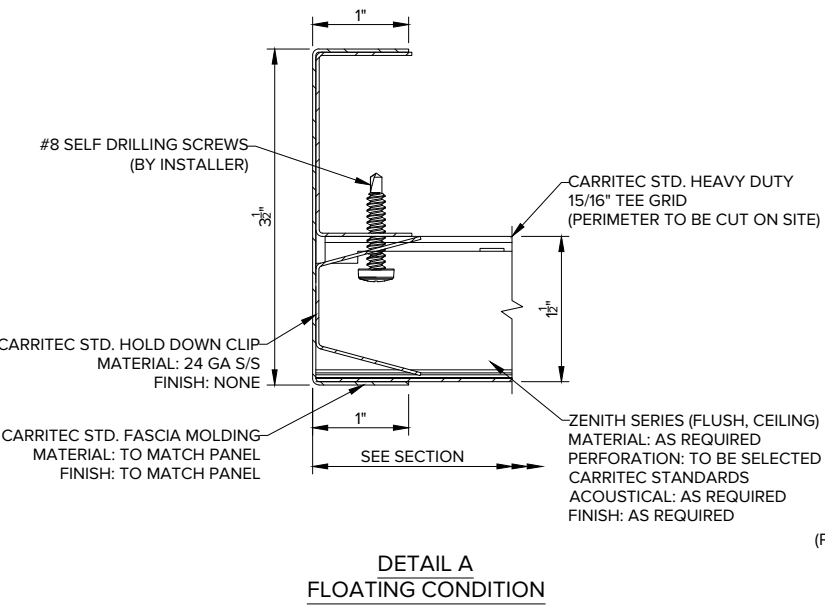
ANGLES: ± 0.5

DECIMALS: -.XX ± 0.03

-.XXX ± 0.015



ZENITH SERIES (FLUSH, CEILING)



EXTERIOR INTERIOR DSCSP08

*Any copy hereof issued by CARRITEC must be kept confidential and used by the recipient only for the specific purpose for which it is issued in conjunction with materials supplied or purchased and listed hereon.

*Dimensions are imperial.

TOLERANCES (UNLESS OTHERWISE SPECIFIED):
 FRACTIONS: +1/64
 ANGLES: ± 0.5
 DECIMALS: - .XX ± 0.03
 - .XXX ± 0.015

