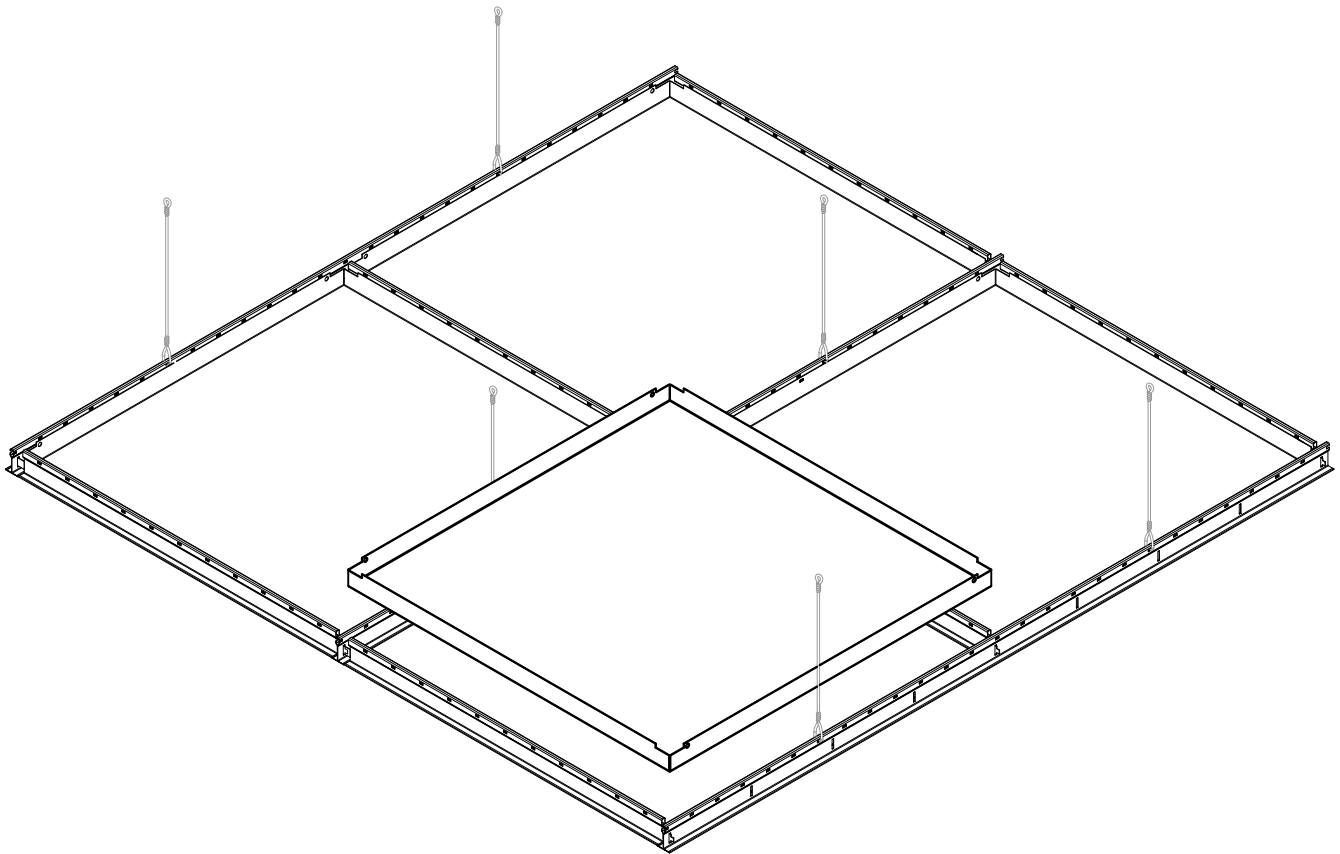


ZENITH SERIES (REGULAR, CEILING)



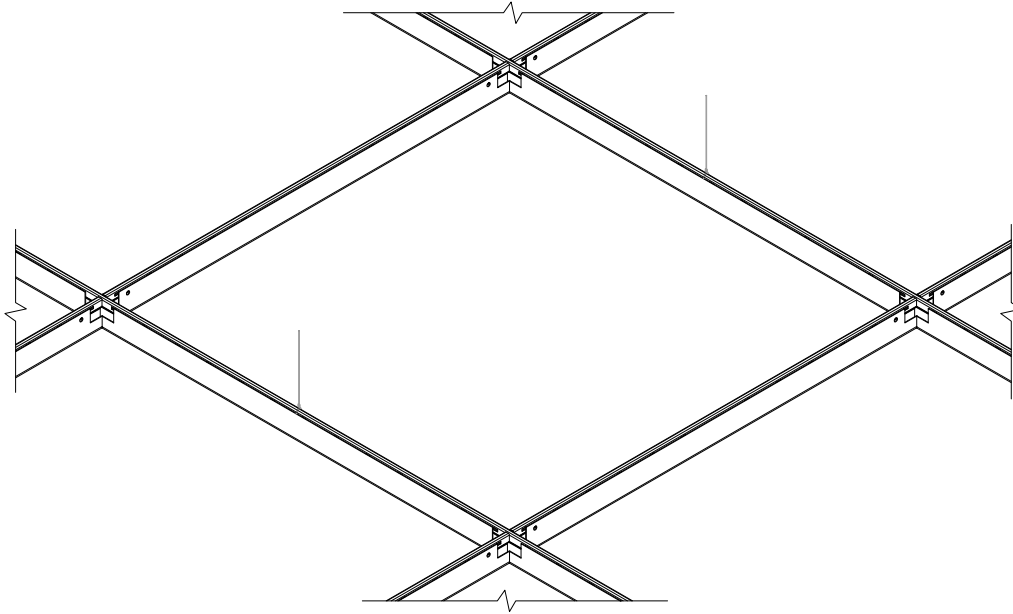
EXTERIOR INTERIOR DSCSP09

**Any copy hereof issued by CARRITEC must be kept confidential and used by the recipient only for the specific purpose for which it is issued in conjunction with materials supplied or purchased and listed hereon.*

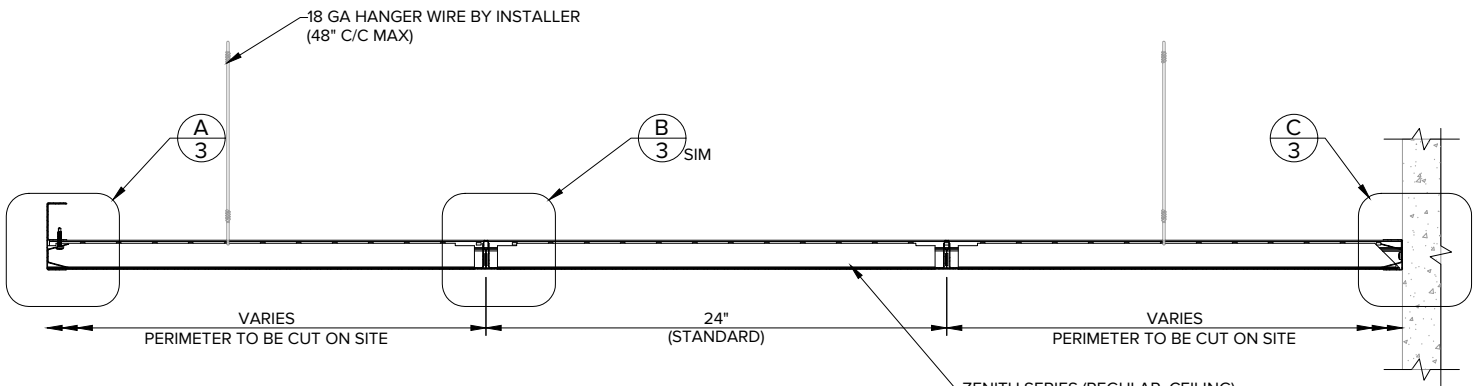
**Dimensions are imperial.*



ZENITH SERIES (REGULAR, CEILING)



ISOMETRIC VIEW



TRANSVERSAL SECTION

ZENITH SERIES (REGULAR, CEILING)
 MATERIAL: AS REQUIRED
 PERFORATION: TO BE SELECTED FROM
 CARRITEC STANDARDS
 ACOUSTICAL: AS REQUIRED
 FINISH: AS REQUIRED

EXTERIOR INTERIOR DSCSP09

*Any copy hereof issued by CARRITEC must be kept confidential and used by the recipient only for the specific purpose for which it is issued in conjunction with materials supplied or purchased and listed hereon.

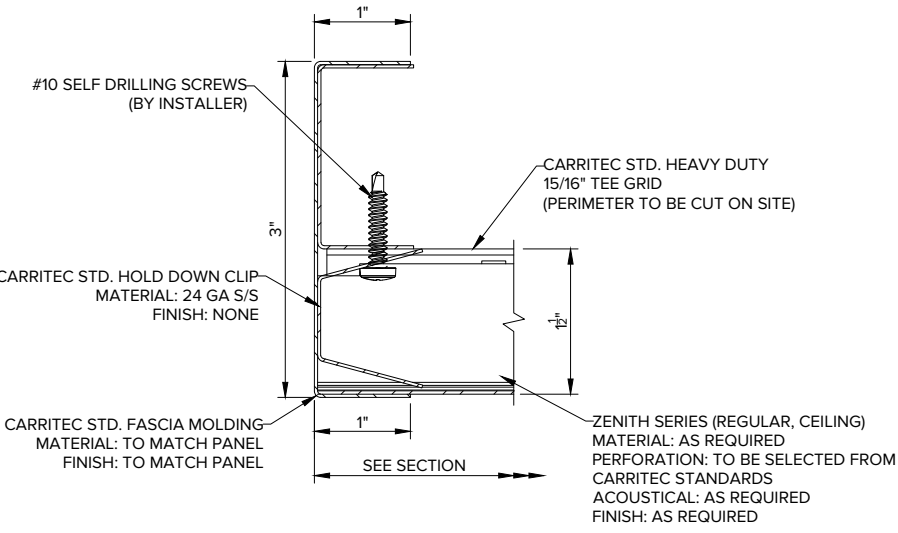
*Dimensions are imperial.

TOLERANCES (UNLESS OTHERWISE SPECIFIED):

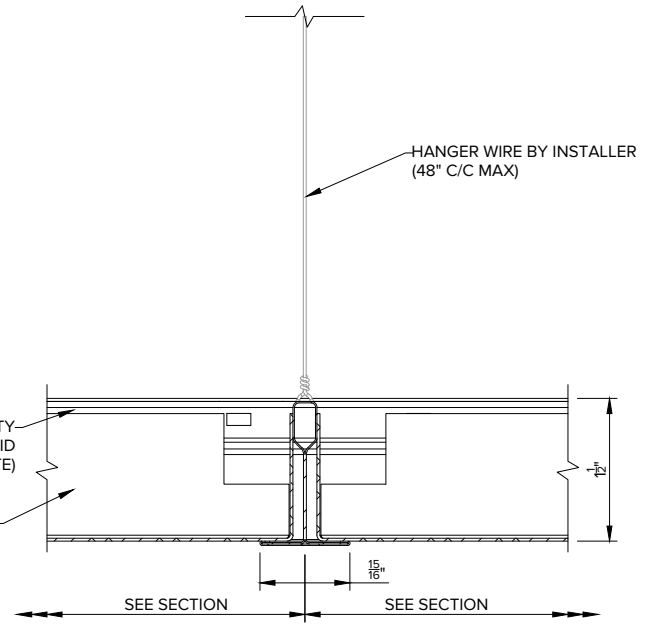
FRACTIONS: +1/64
 ANGLES: ± 0.5
 DECIMALS: - .XX ± 0.03
 - .XXX ± 0.015



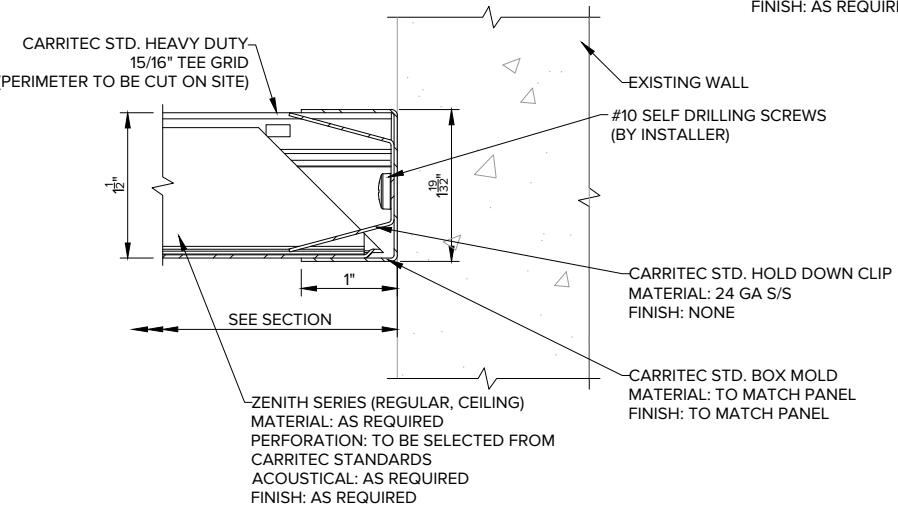
ZENITH SERIES (REGULAR, CEILING)



DETAIL A
FLOATING CONDITION



DETAIL B
TYP. BUTT JOINT CONDITION



DETAIL C
WALL TO WALL CONDITION

EXTERIOR INTERIOR DSCSP09

*Any copy hereof issued by CARRITEC must be kept confidential and used by the recipient only for the specific purpose for which it is issued in conjunction with materials supplied or purchased and listed hereon.

*Dimensions are imperial.

TOLERANCES (UNLESS OTHERWISE SPECIFIED):
 FRACTIONS: +1/64
 ANGLES: ± 0.5
 DECIMALS: - .XX ± 0.03
 - .XXX ± 0.015

