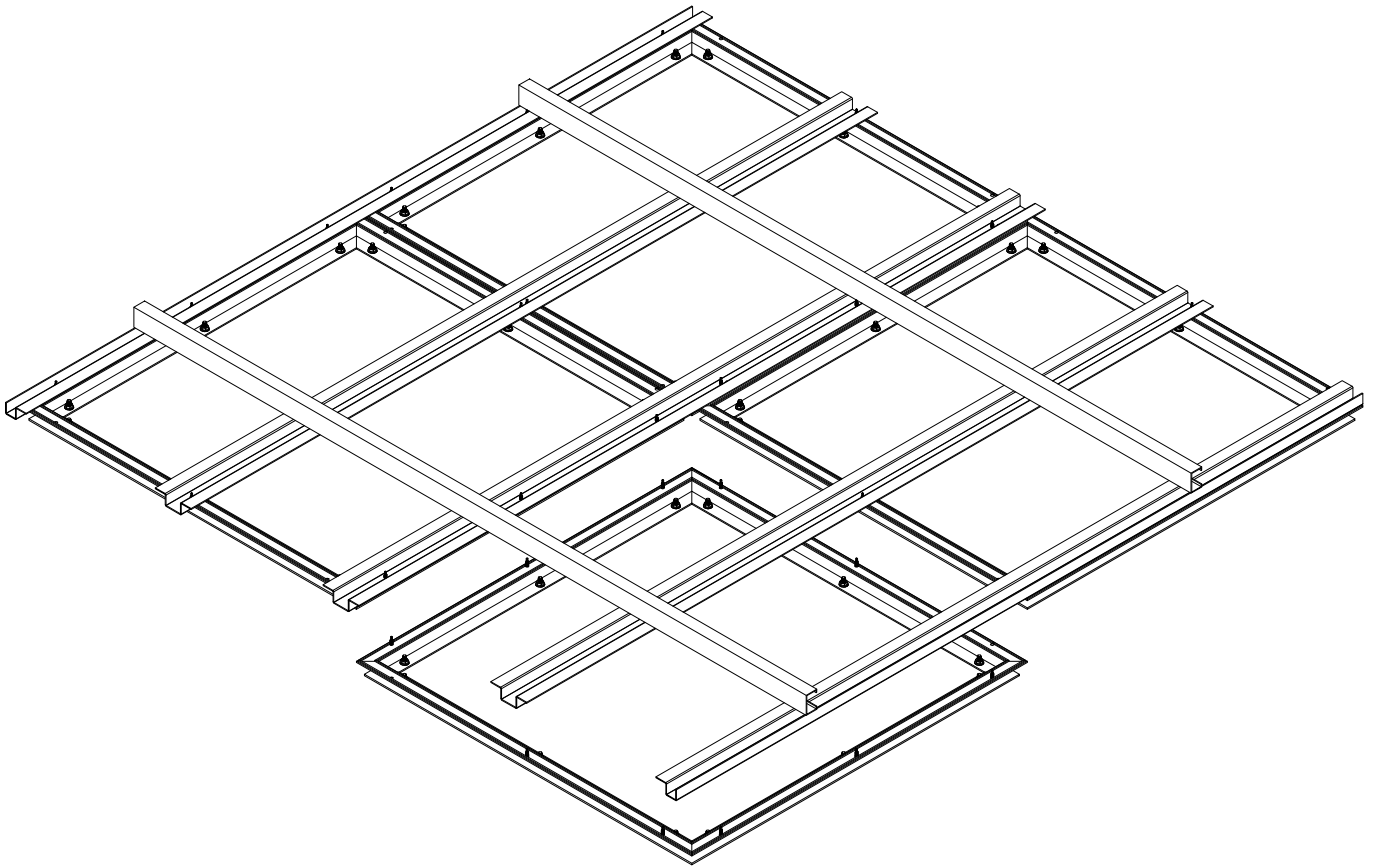


CHRYSALIS SERIES (CEILING)



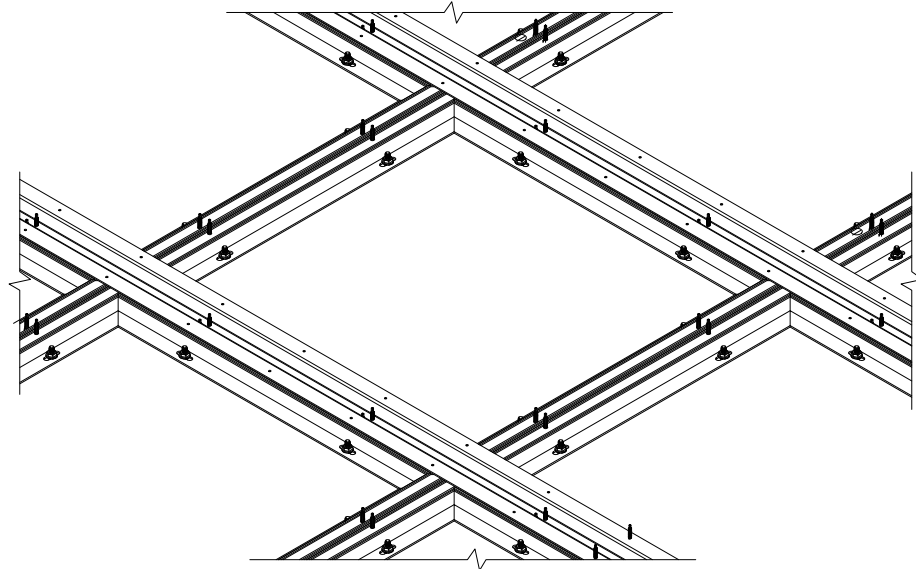
EXTERIOR INTERIOR DSCSP12

**Any copy hereof issued by CARRITEC must be kept confidential and used by the recipient only for the specific purpose for which it is issued in conjunction with materials supplied or purchased and listed hereon.*

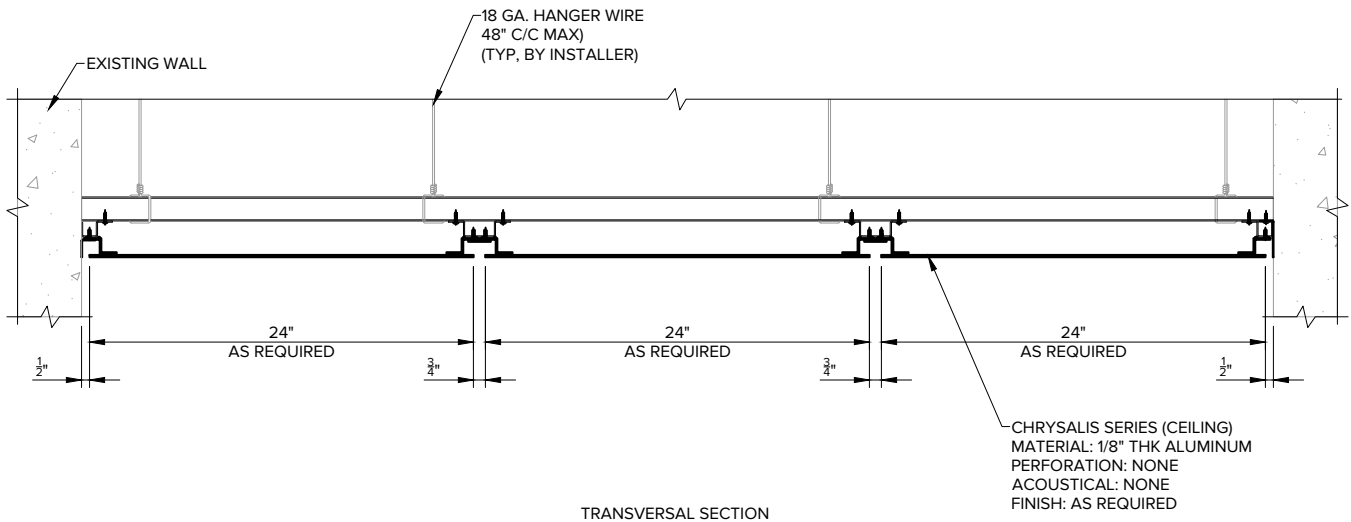
**Dimensions are imperial.*



CHRYSALIS SERIES (CEILING)



ISOMETRIC VIEW



TRANSVERSAL SECTION

EXTERIOR INTERIOR DSCSP12

*Any copy hereof issued by CARRITEC must be kept confidential and used by the recipient only for the specific purpose for which it is issued in conjunction with materials supplied or purchased and listed hereon.

*Dimensions are imperial.

TOLERANCES (UNLESS OTHERWISE SPECIFIED):

FRACTIONS: +1/64

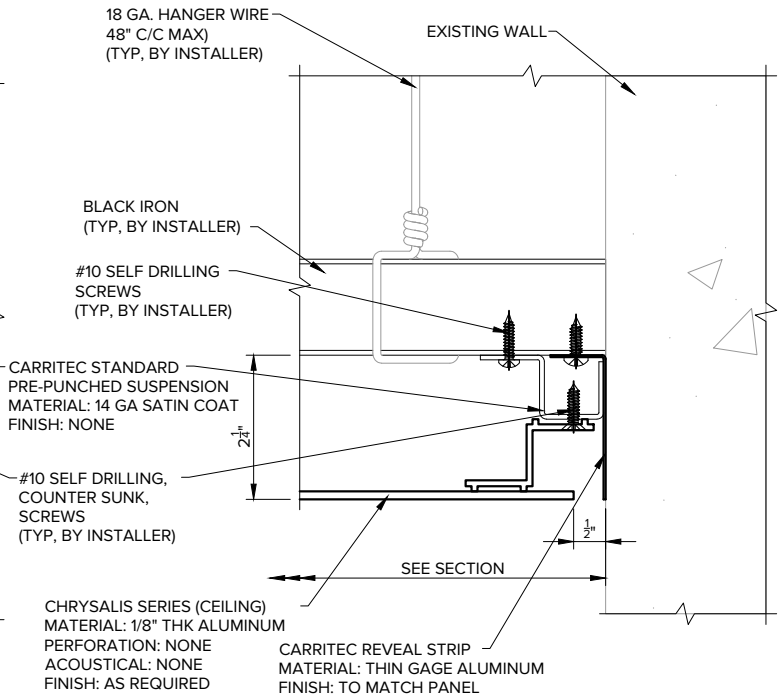
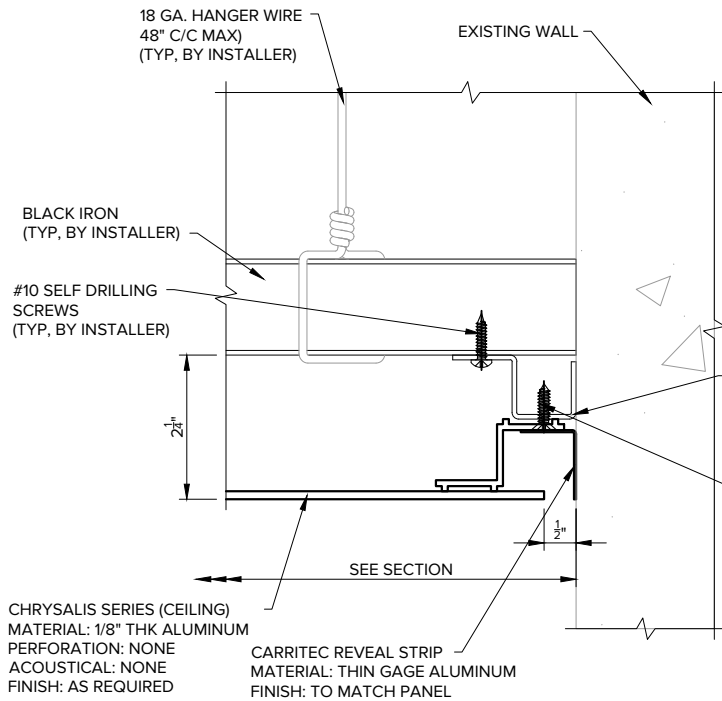
ANGLES: ± 0.5

DECIMALS: -.XX ± 0.03

-.XXX ± 0.015

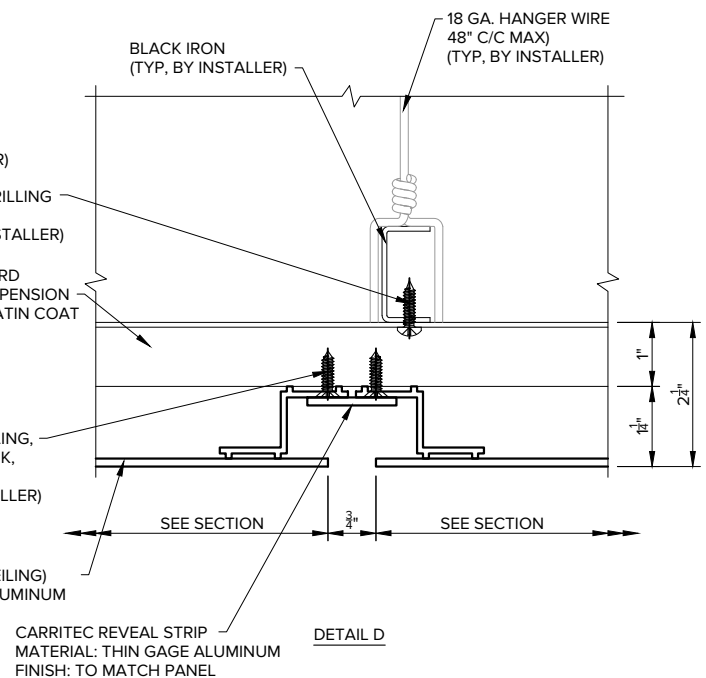
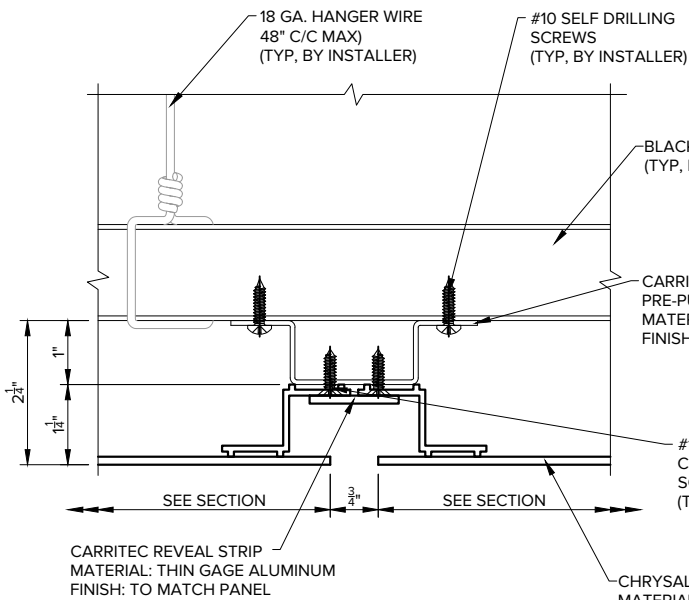


CHRYSALIS SERIES (CEILING)



DETAIL A
(OPTIONAL)

DETAIL B
(OPTIONAL)



DETAIL C

DETAIL D

CHRYSALIS SERIES (CEILING)
MATERIAL: 1/8" THK ALUMINUM
PERFORATION: NONE
ACOUSTICAL: NONE
FINISH: AS REQUIRED

EXTERIOR INTERIOR DSCSP12

*Any copy hereof issued by CARRITEC must be kept confidential and used by the recipient only for the specific purpose for which it is issued in conjunction with materials supplied or purchased and listed hereon.

*Dimensions are imperial.

TOLERANCES (UNLESS OTHERWISE SPECIFIED):

FRACTIONS: +1/64

ANGLES: ± 0.5

DECIMALS: - .XX ± 0.03

- .XXX ± 0.015

