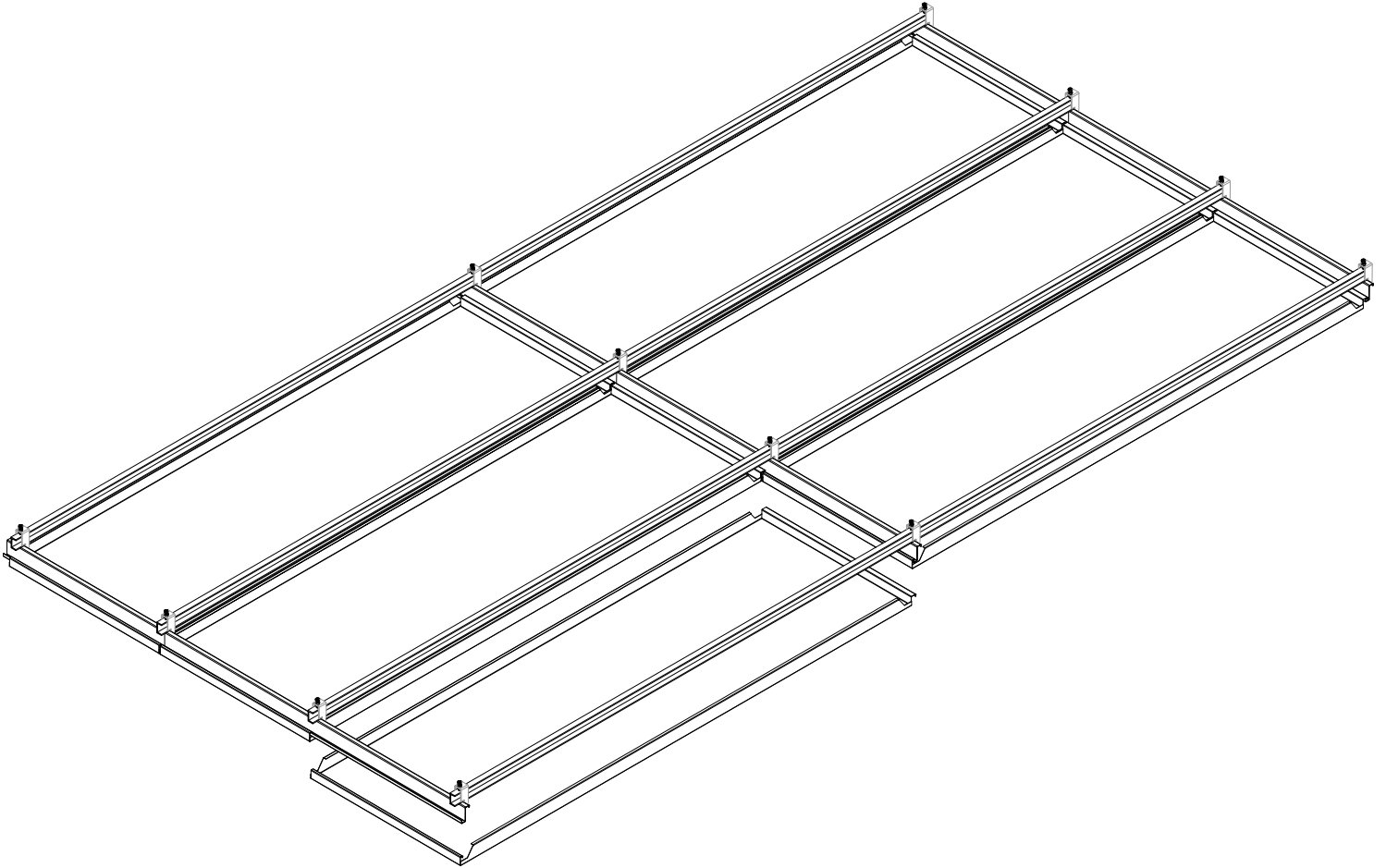


STRATUM SERIES (CEILING)



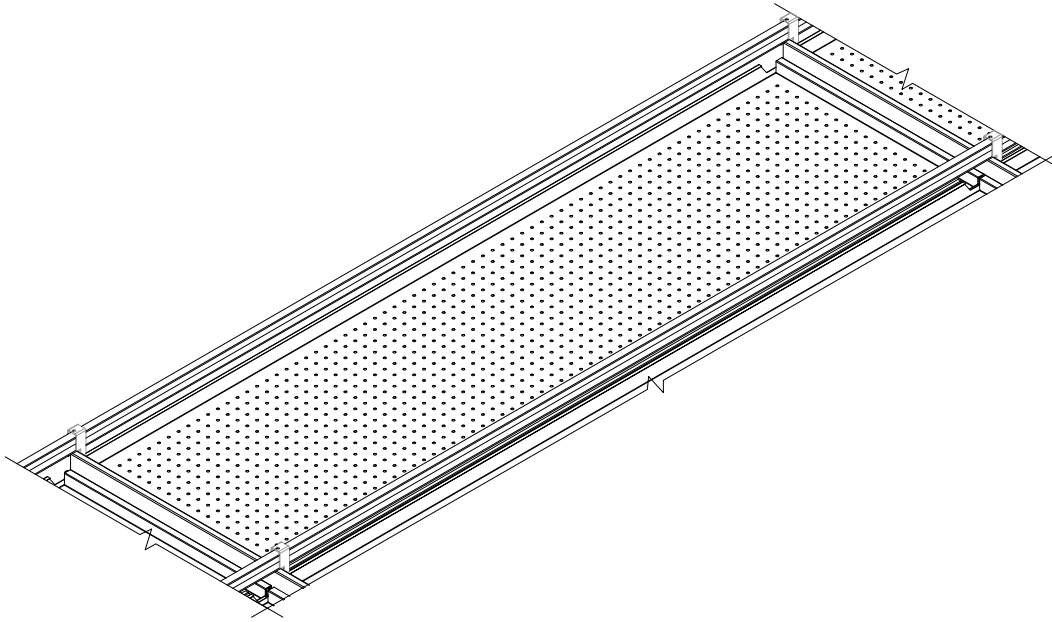
EXTERIOR INTERIOR DSCSP13

**Any copy hereof issued by CARRITEC must be kept confidential and used by the recipient only for the specific purpose for which it is issued in conjunction with materials supplied or purchased and listed hereon.*

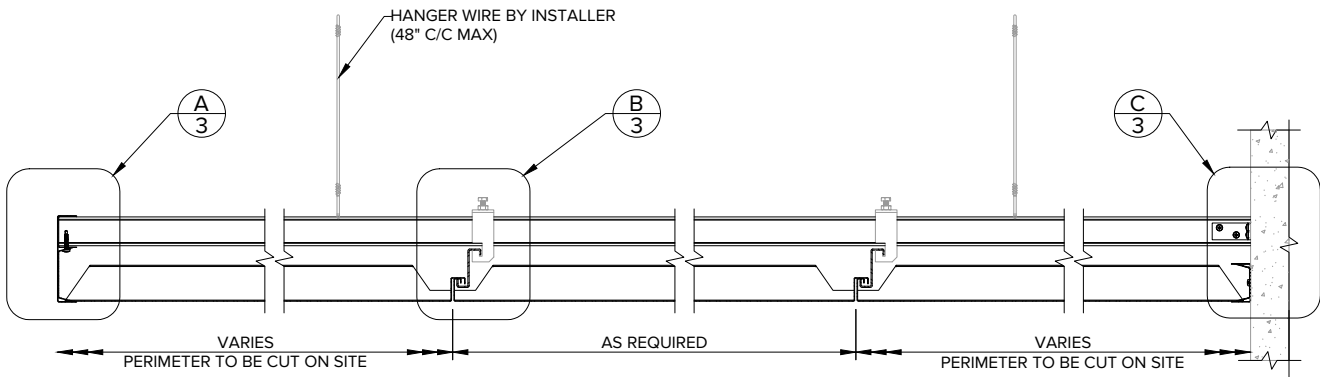
**Dimensions are imperial.*



STRATUM SERIES (CEILING)



ISOMETRIC VIEW



TRANSVERSAL SECTION

EXTERIOR INTERIOR DSCSP13

**Any copy hereof issued by CARRITEC must be kept confidential and used by the recipient only for the specific purpose for which it is issued in conjunction with materials supplied or purchased and listed hereon.*

**Dimensions are imperial.*

TOLERANCES (UNLESS OTHERWISE SPECIFIED):

FRACTIONS: +1/64

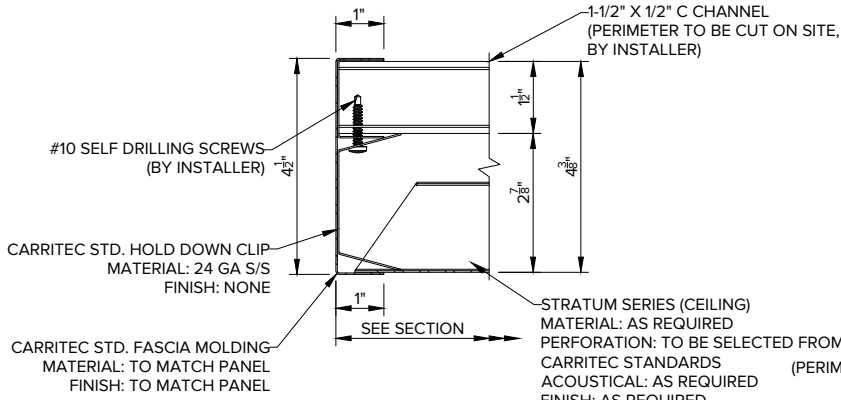
ANGLES: ± 0.5

DECIMALS: -.XX ± 0.03

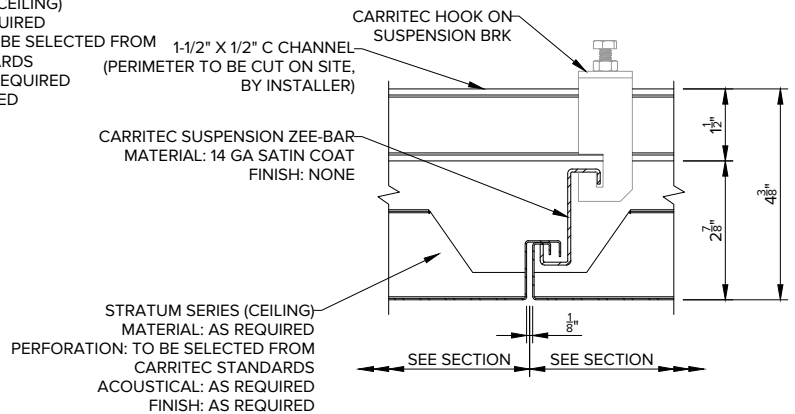
-.XXX ± 0.015



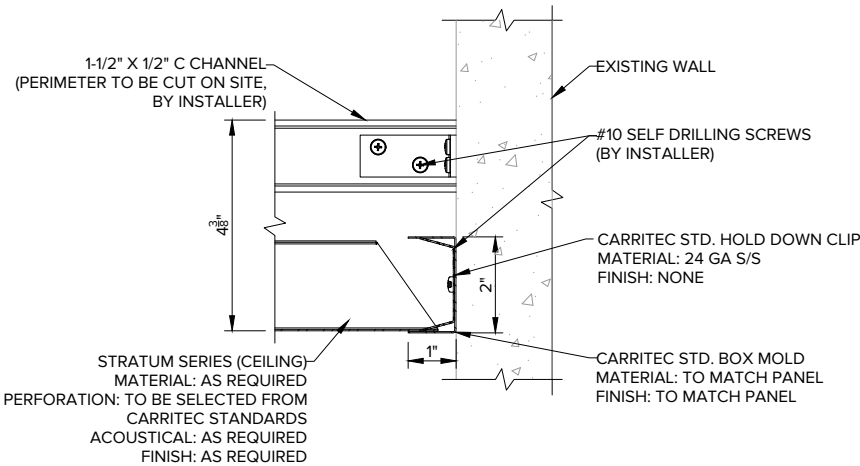
STRATUM SERIES (CEILING)



DETAIL A
FLOATING CONDITION



DETAIL B
TYP. BUTT JOINT CONDITION



DETAIL C
WALL TO WALL CONDITION

EXTERIOR INTERIOR DSCSP13

*Any copy hereof issued by CARRITEC must be kept confidential and used by the recipient only for the specific purpose for which it is issued in conjunction with materials supplied or purchased and listed hereon.

*Dimensions are imperial.

TOLERANCES (UNLESS OTHERWISE SPECIFIED):

FRACTIONS: + 1/64

ANGLES: ± 0.5

DECIMALS: - .XX ± 0.03

- .XXX ± 0.015

