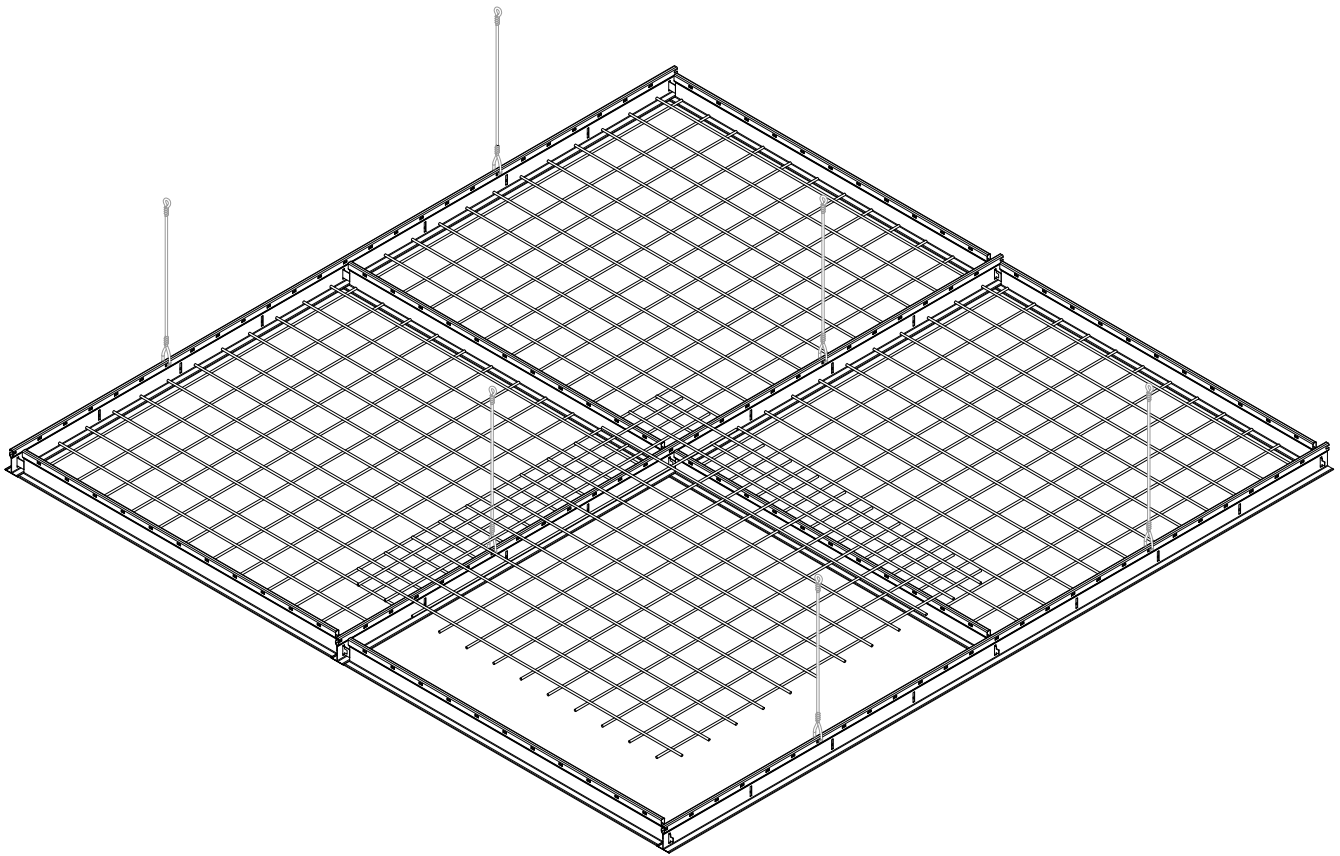


ZENITH AIR SERIES (CEILING)



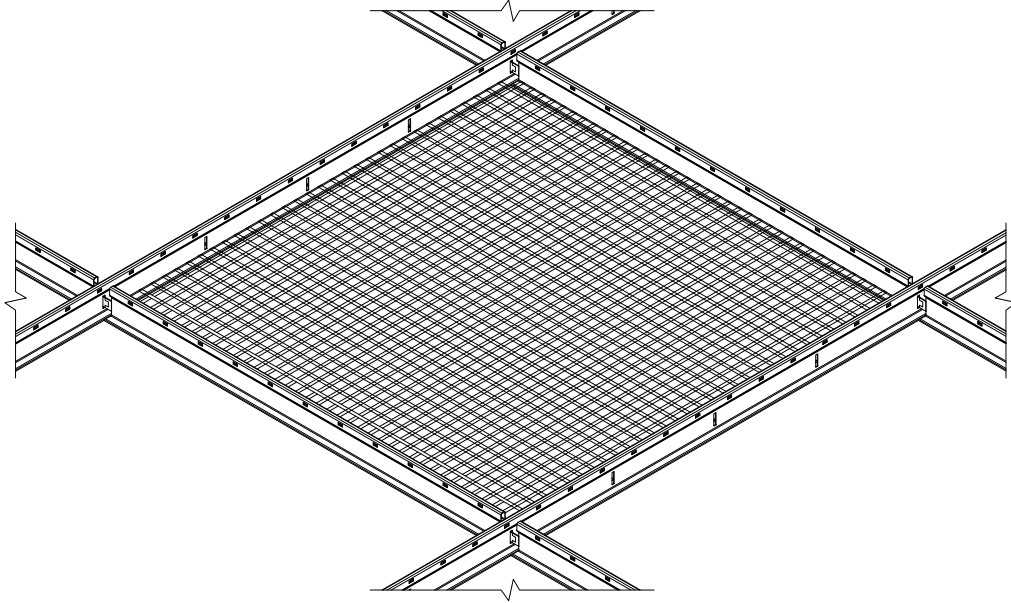
EXTERIOR INTERIOR DSCSP16

**Any copy hereof issued by CARRITEC must be kept confidential and used by the recipient only for the specific purpose for which it is issued in conjunction with materials supplied or purchased and listed hereon.*

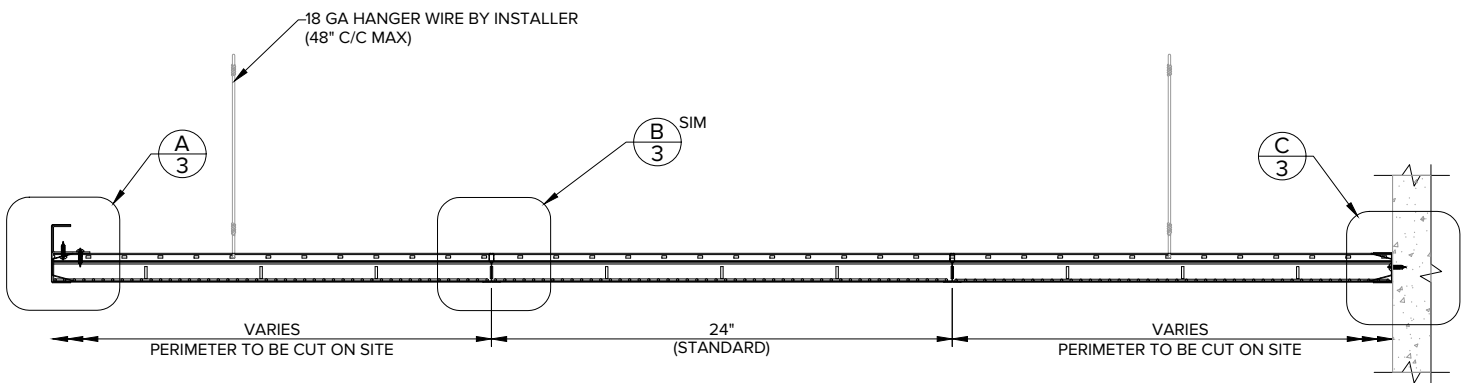
**Dimensions are imperial.*



ZENITH AIR SERIES (CEILING)



ISOMETRIC VIEW



TRANSVERSAL SECTION

EXTERIOR INTERIOR DSCSP16

*Any copy hereof issued by CARRITEC must be kept confidential and used by the recipient only for the specific purpose for which it is issued in conjunction with materials supplied or purchased and listed hereon.

*Dimensions are imperial.

TOLERANCES (UNLESS OTHERWISE SPECIFIED):

FRACTIONS: +1/64

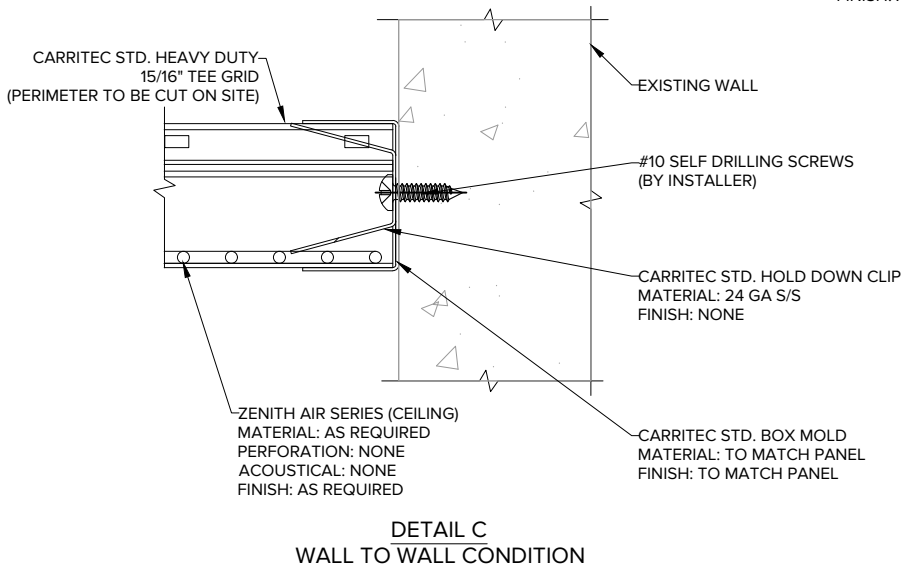
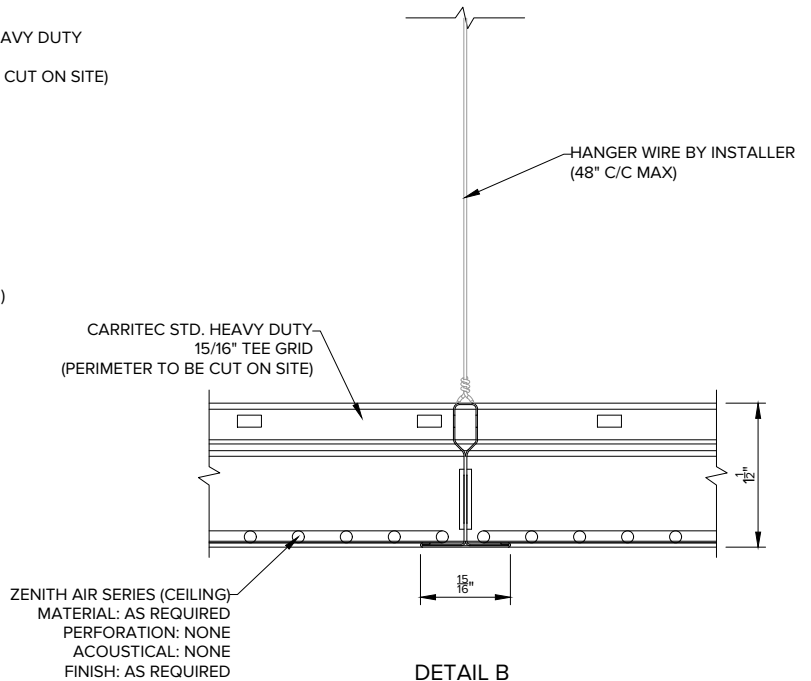
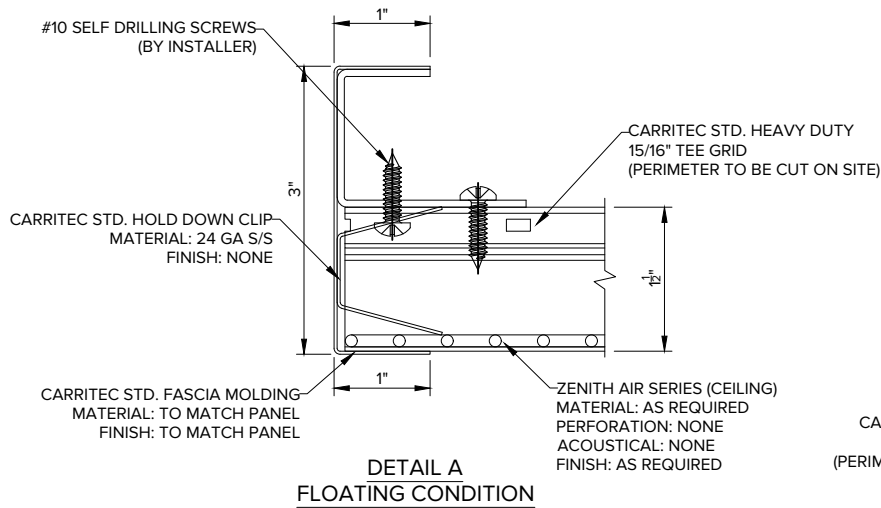
ANGLES: ± 0.5

DECIMALS: - .XX ± 0.03

- .XXX ± 0.015



ZENITH AIR SERIES (CEILING)



EXTERIOR INTERIOR DSCSP16

*Any copy hereof issued by CARRITEC must be kept confidential and used by the recipient only for the specific purpose for which it is issued in conjunction with materials supplied or purchased and listed hereon.

*Dimensions are imperial.

TOLERANCES (UNLESS OTHERWISE SPECIFIED):
 FRACTIONS: +1/64
 ANGLES: ± 0.5
 DECIMALS: - .XX ± 0.03
 - .XXX ± 0.015

