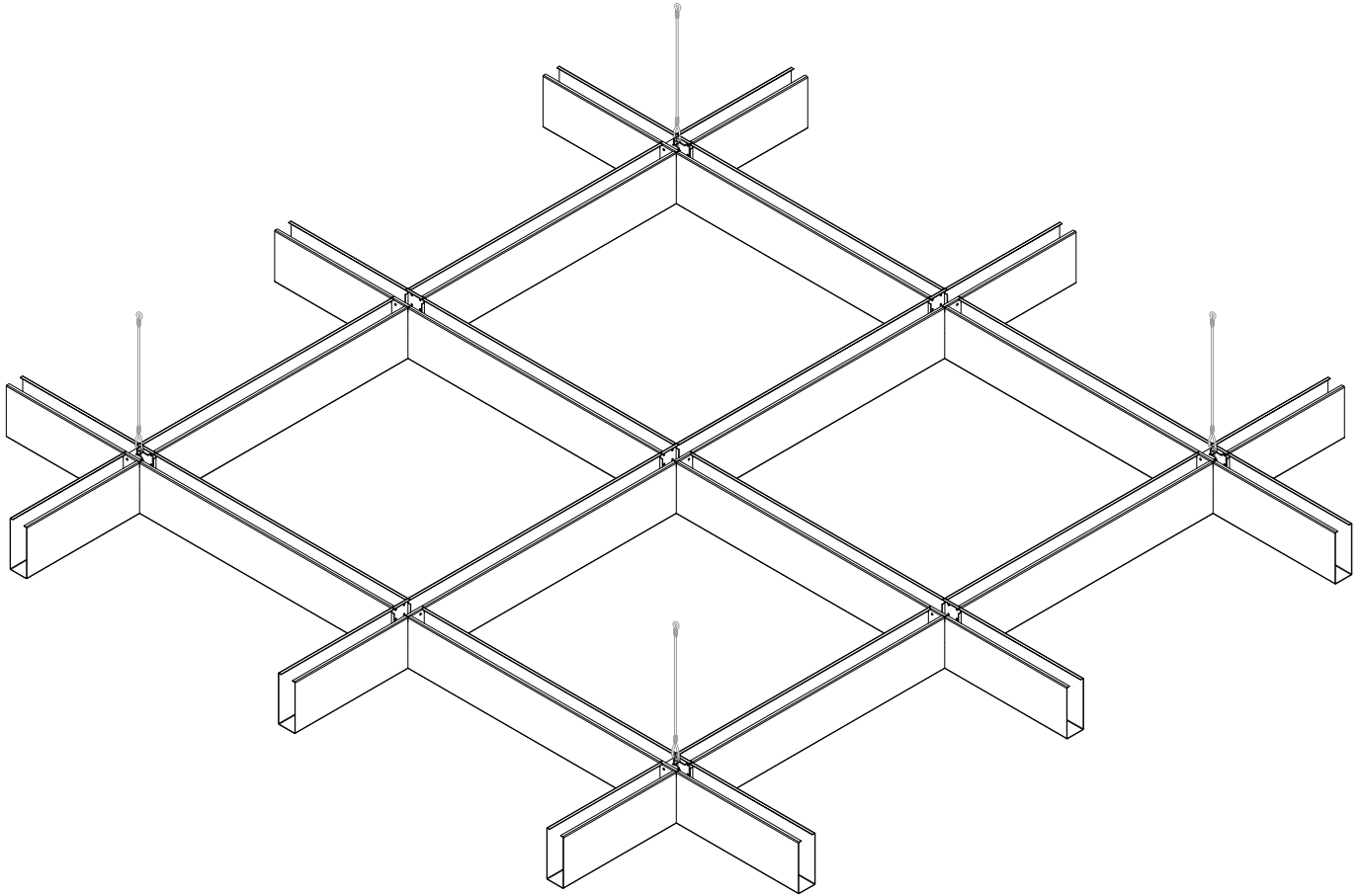


SAVANNA LATTICE SERIES (CEILING)



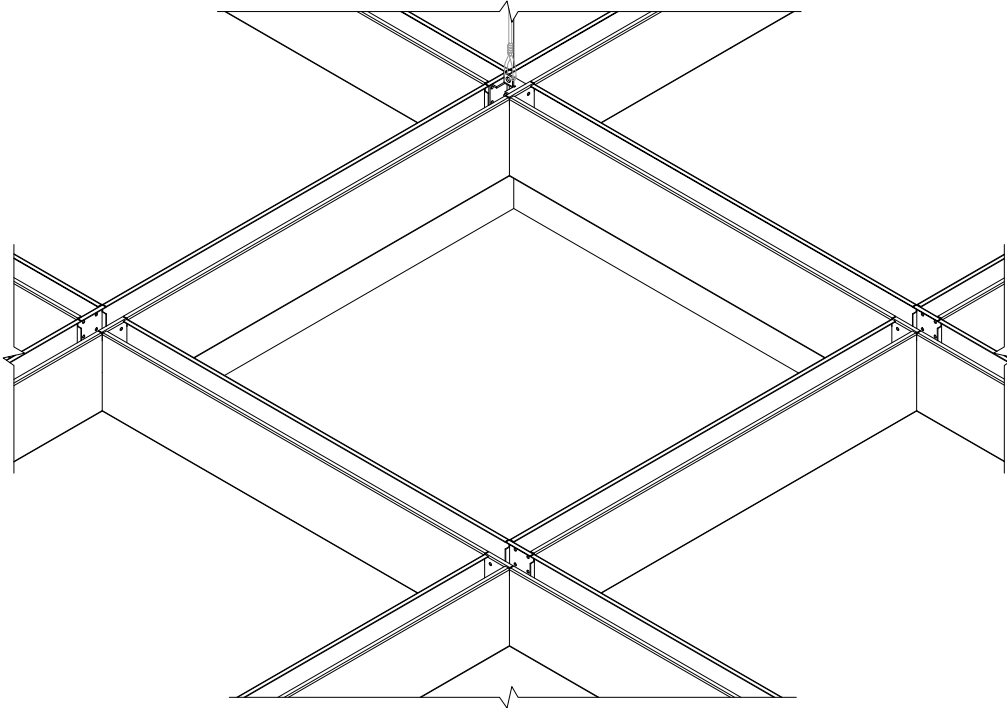
EXTERIOR INTERIOR DSCSP17

**Any copy hereof issued by CARRITEC must be kept confidential and used by the recipient only for the specific purpose for which it is issued in conjunction with materials supplied or purchased and listed hereon.*

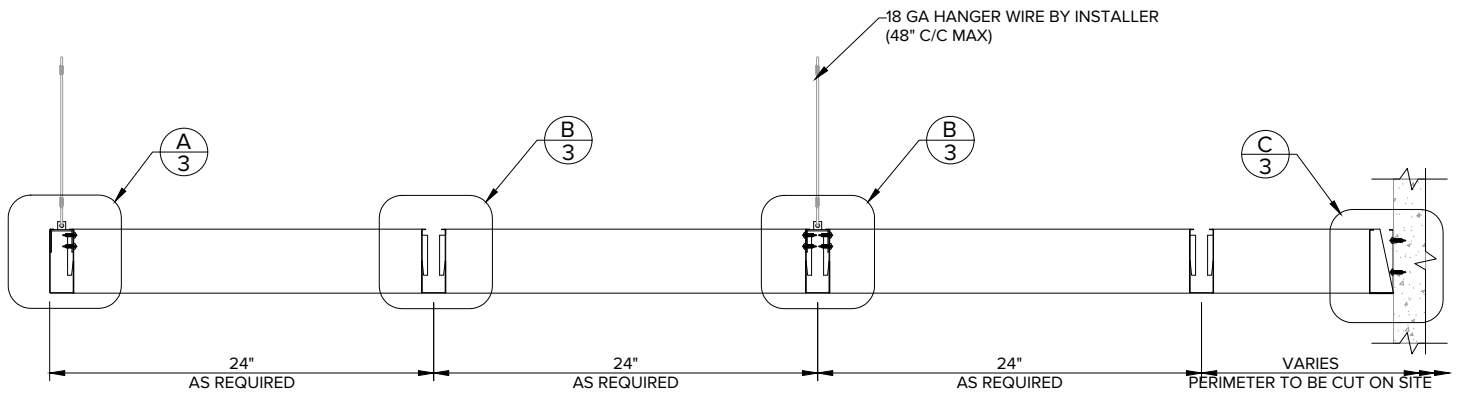
**Dimensions are imperial.*



SAVANNA LATTICE SERIES (CEILING)



ISOMETRIC VIEW



TRANSVERSAL SECTION

EXTERIOR INTERIOR DSCSP17

*Any copy hereof issued by CARRITEC must be kept confidential and used by the recipient only for the specific purpose for which it is issued in conjunction with materials supplied or purchased and listed hereon.

*Dimensions are imperial.

TOLERANCES (UNLESS OTHERWISE SPECIFIED):

FRACTIONS: +1/64

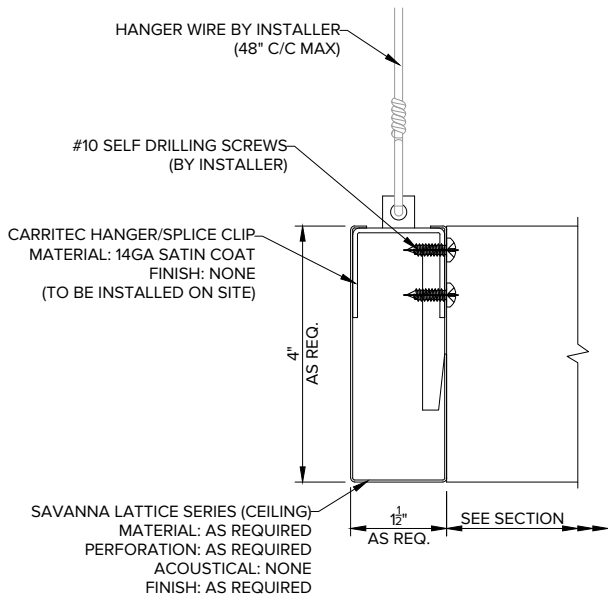
ANGLES: ± 0.5

DECIMALS: - .XX ± 0.03

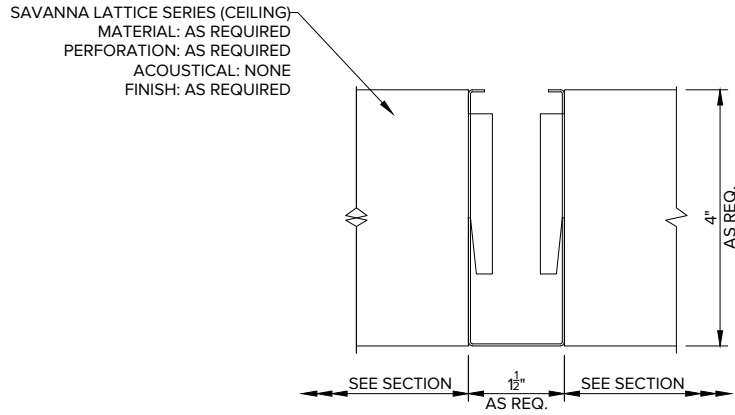
- .XXX ± 0.015



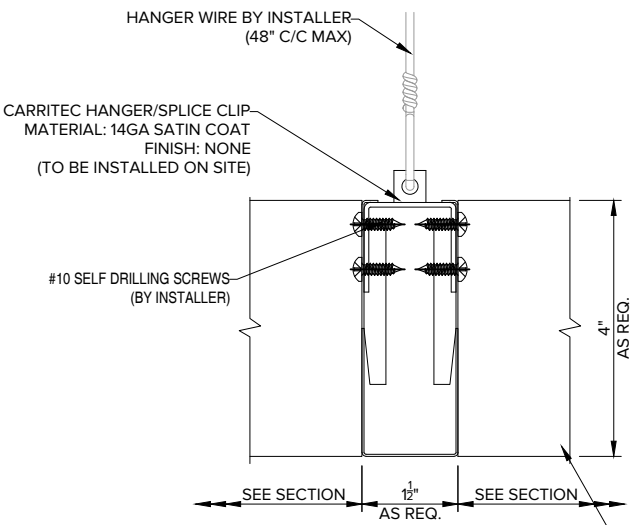
SAVANNA LATTICE SERIES (CEILING)



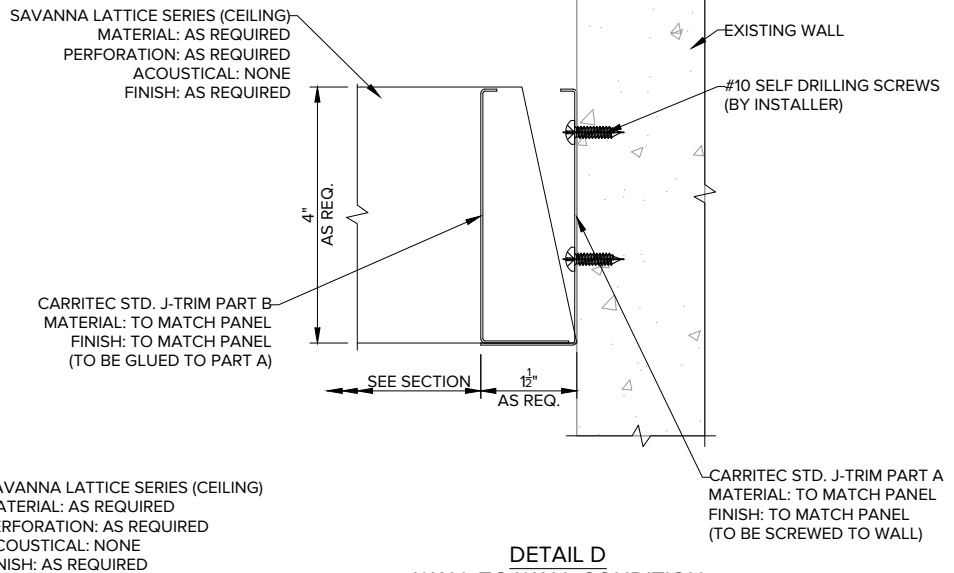
DETAIL A
FLOATING CONDITION



DETAIL B
TYP. JOINT CONDITION



DETAIL C
TYP. HANGER SPLICE CONDITION



DETAIL D
WALL TO WALL CONDITION

EXTERIOR INTERIOR DSCSP17

*Any copy hereof issued by CARRITEC must be kept confidential and used by the recipient only for the specific purpose for which it is issued in conjunction with materials supplied or purchased and listed hereon.

*Dimensions are imperial.

TOLERANCES (UNLESS OTHERWISE SPECIFIED):

FRACTIONS: + 1/64
 ANGLES: ± 0.5
 DECIMALS: - .XX ± 0.03
 - .XXX ± 0.015

