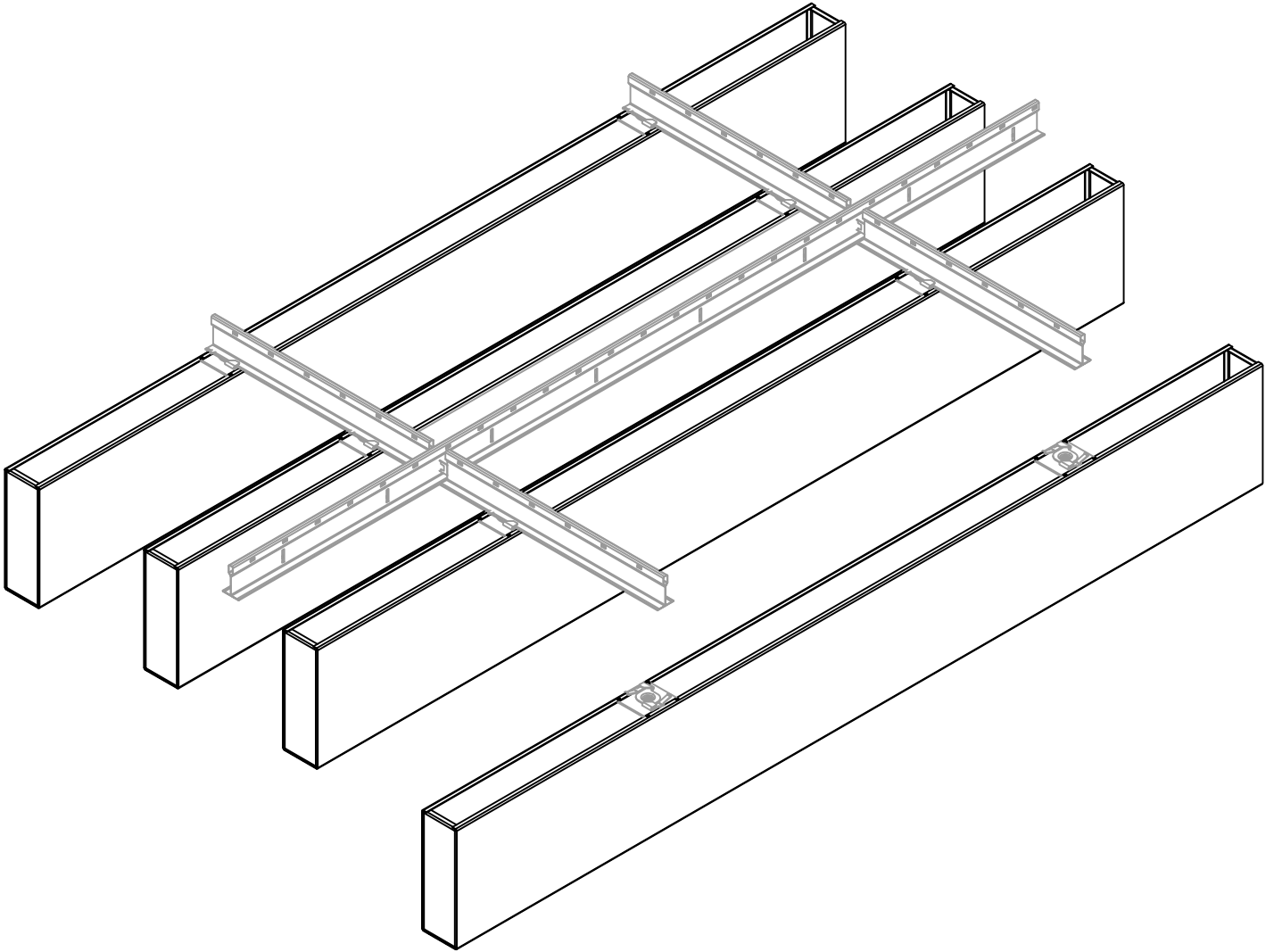


# SAVANNA TWIST CLIP SERIES (CEILING)



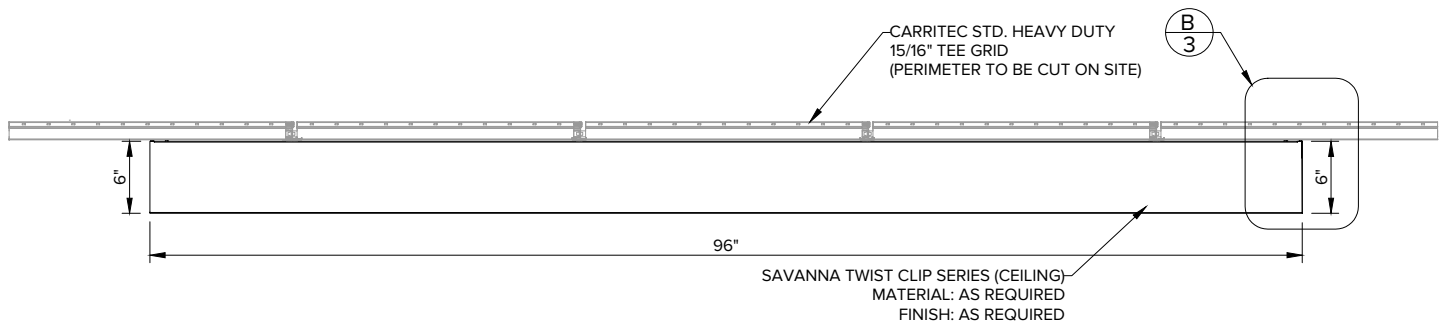
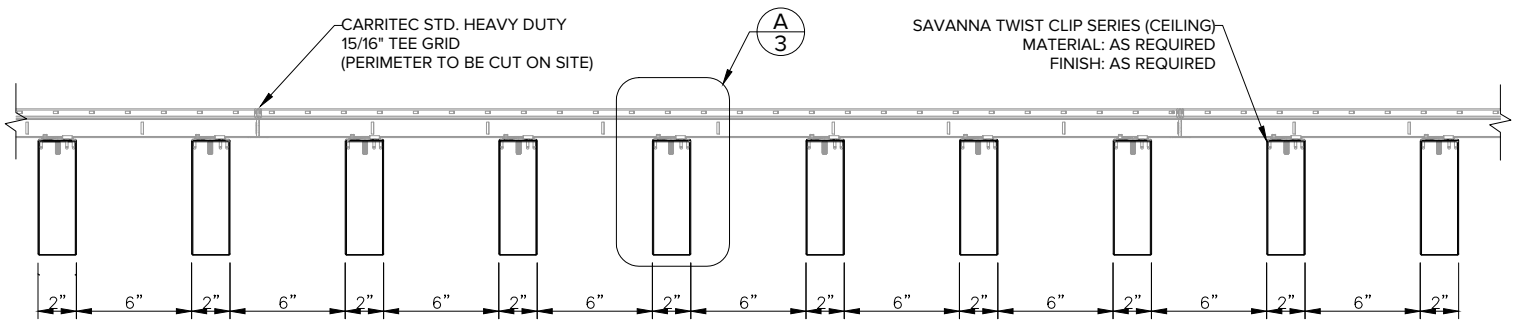
EXTERIOR  INTERIOR  DSCSP19

*\*Any copy hereof issued by CARRITEC must be kept confidential and used by the recipient only for the specific purpose for which it is issued in conjunction with materials supplied or purchased and listed hereon.*

*\*Dimensions are imperial.*



# SAVANNA TWIST CLIP SERIES (CEILING)



EXTERIOR  INTERIOR  DSCSP19

\*Any copy hereof issued by CARRITEC must be kept confidential and used by the recipient only for the specific purpose for which it is issued in conjunction with materials supplied or purchased and listed hereon.

\*Dimensions are imperial.

TOLERANCES (UNLESS OTHERWISE SPECIFIED):

FRACTIONS: +1/64

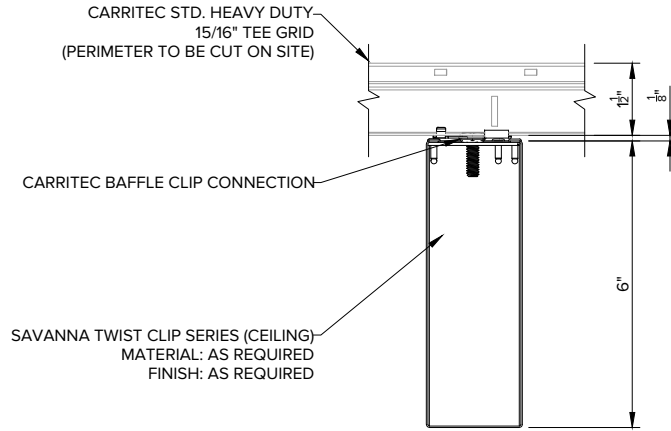
ANGLES: ± 0.5

DECIMALS: -.XX ± 0.03

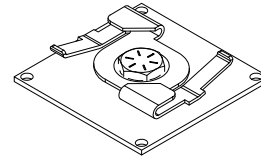
DECIMALS: -.XXX ± 0.015



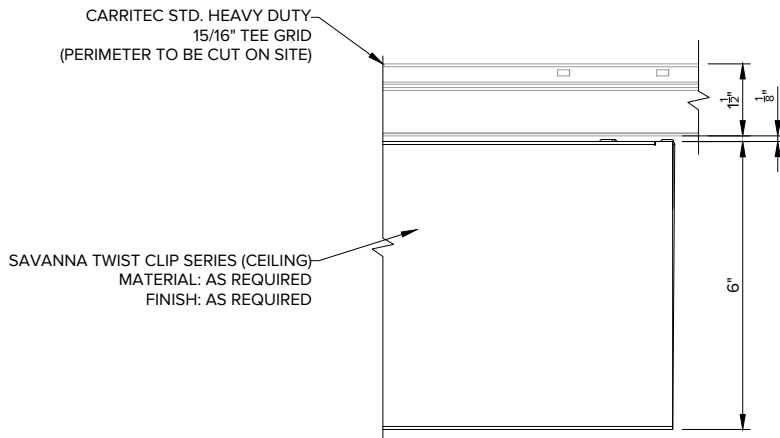
# SAVANNA TWIST CLIP SERIES (CEILING)



DETAIL A



CARRITEC BAFFLE CLIP



DETAIL B

EXTERIOR  INTERIOR  DSCSP19

*\*Any copy hereof issued by CARRITEC must be kept confidential and used by the recipient only for the specific purpose for which it is issued in conjunction with materials supplied or purchased and listed hereon.*

*\*Dimensions are imperial.*

TOLERANCES (UNLESS OTHERWISE SPECIFIED):

FRACTIONS: +1/64

ANGLES: ± 0.5

DECIMALS: - .XX ± 0.03

- .XXX ± 0.015

