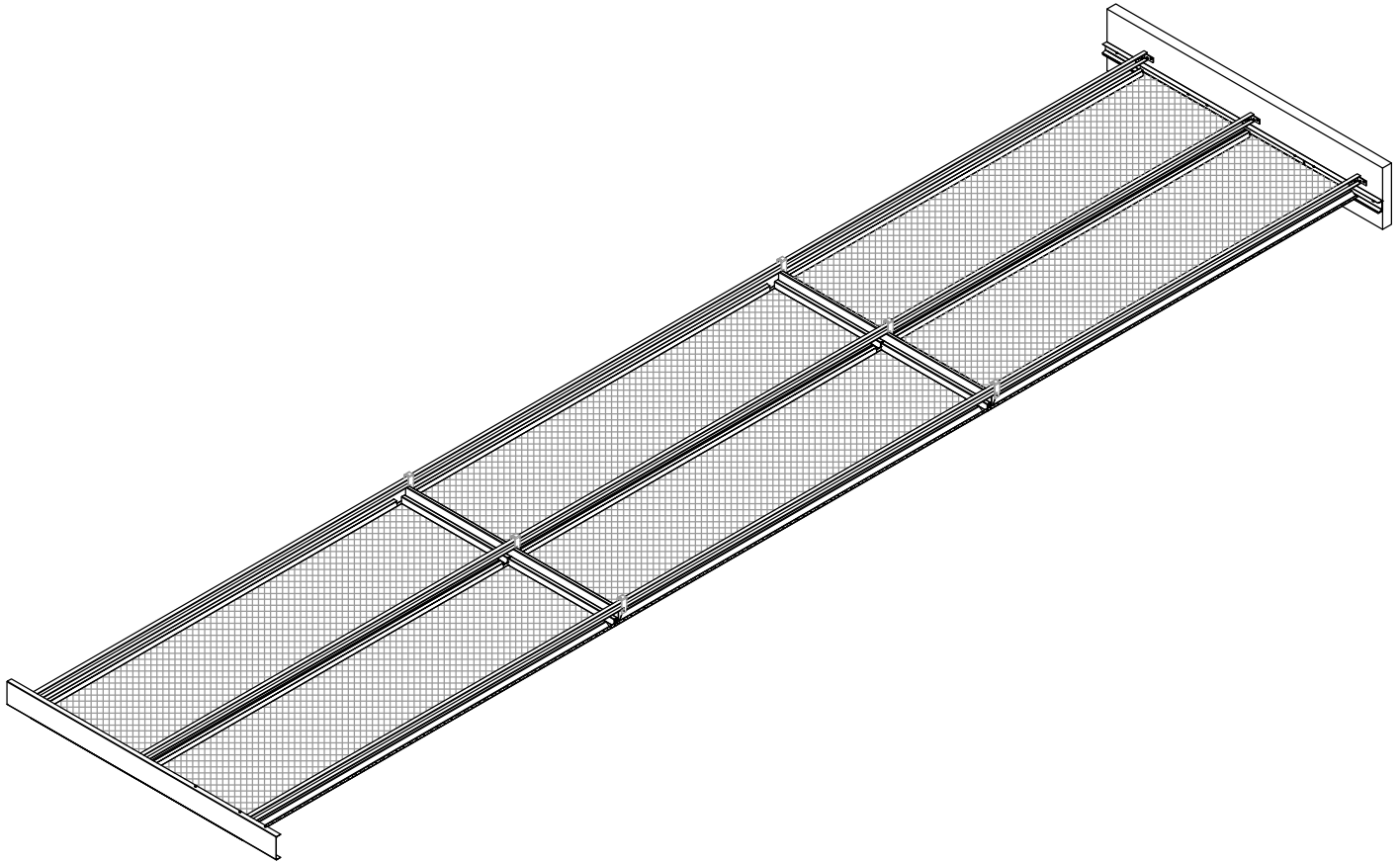


# STRATUM FREE SERIES



EXTERIOR  INTERIOR  DSCSP21

\*Any copy hereof issued by CARRITEC must be kept confidential and used by the recipient only for the specific purpose for which it is issued in conjunction with materials supplied or purchased and listed hereon.

\*Dimensions are imperial.

TOLERANCES (UNLESS OTHERWISE SPECIFIED):

FRACTIONS: +1/64

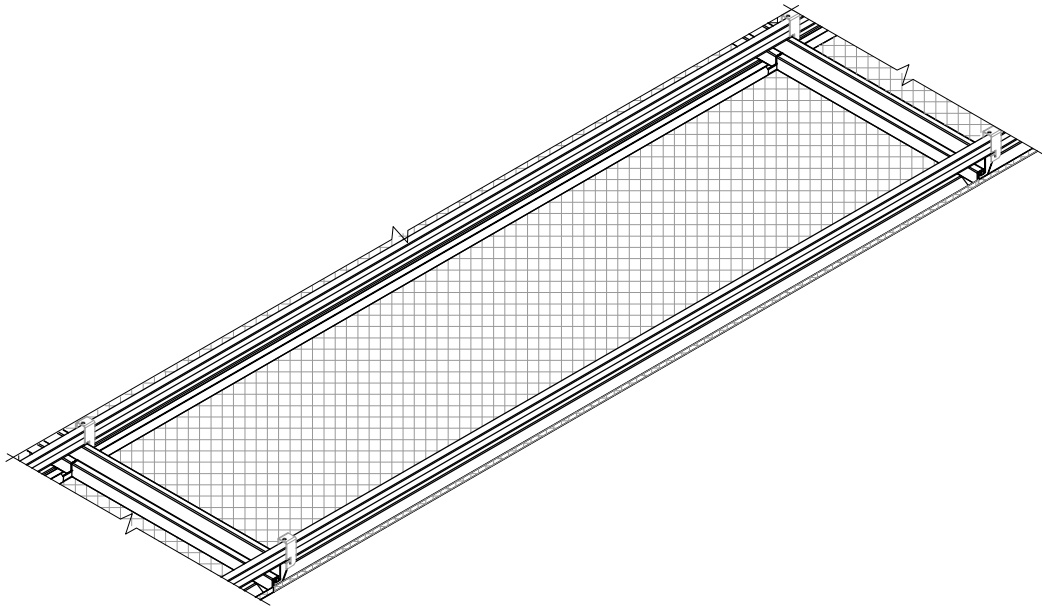
ANGLES: ± 0.5

DECIMALS: -.XX ± 0.03

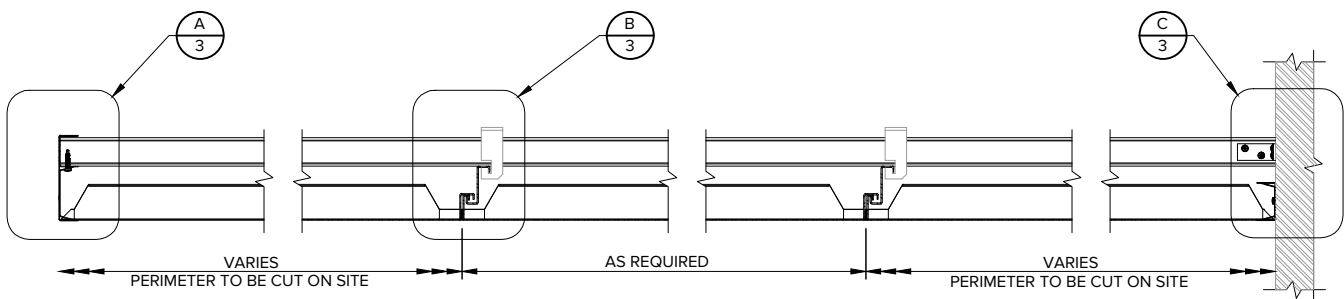
-.XXX ± 0.015



# STRATUM FREE SERIES



ISOMETRIC VIEW



TRANSVERSAL SECTION

EXTERIOR  INTERIOR  DSCSP21

\*Any copy hereof issued by CARRITEC must be kept confidential and used by the recipient only for the specific purpose for which it is issued in conjunction with materials supplied or purchased and listed hereon.

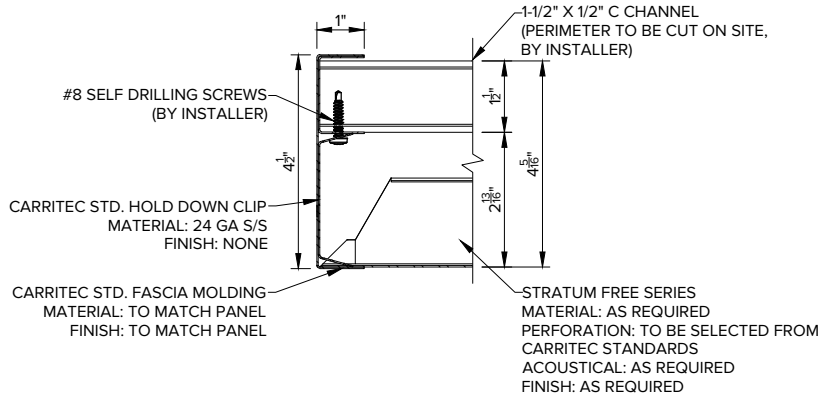
\*Dimensions are imperial.

TOLERANCES (UNLESS OTHERWISE SPECIFIED):

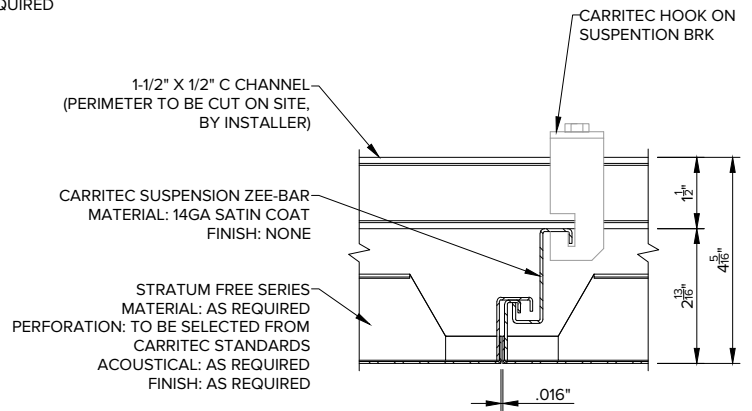
FRACTIONS: + 1/64  
ANGLES: ± 0.5  
DECIMALS: -.XX ± 0.03  
          -.XXX ± 0.015



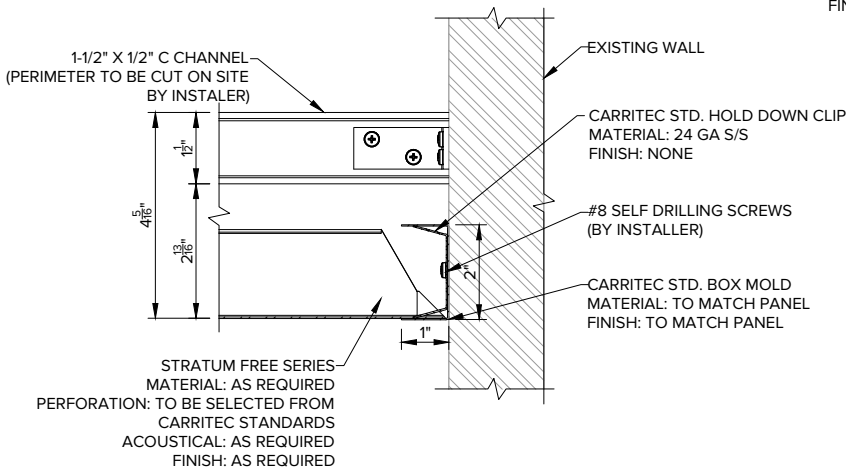
# STRATUM FREE SERIES



DETAIL A  
FLOATING CONDITION



DETAIL B  
TYP. BUTT JOINT CONDITION



DETAIL C  
WALL TO WALL CONDITION

EXTERIOR  INTERIOR  DSCSP21

\*Any copy hereof issued by CARRITEC must be kept confidential and used by the recipient only for the specific purpose for which it is issued in conjunction with materials supplied or purchased and listed hereon.

\*Dimensions are imperial.

TOLERANCES (UNLESS OTHERWISE SPECIFIED):

FRACTIONS: + 1/64  
 ANGLES: ± 0.5  
 DECIMALS: -.XX ± 0.03  
 -.XXX ± 0.015

