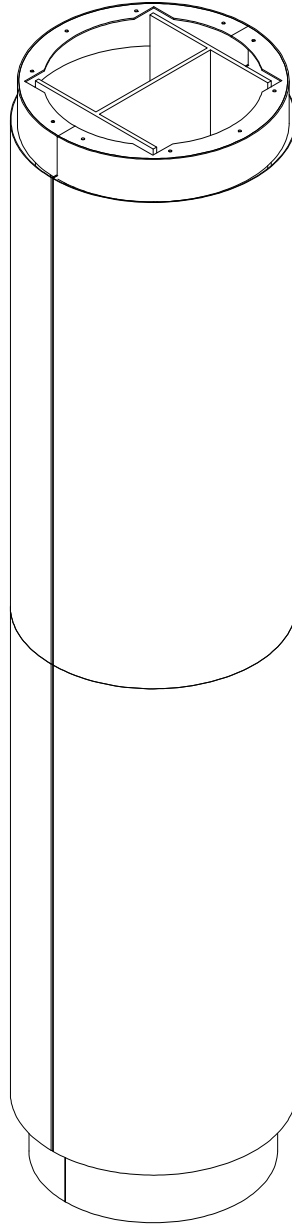


# K.S. COLUMN COVER SERIES (KEY SLOT)



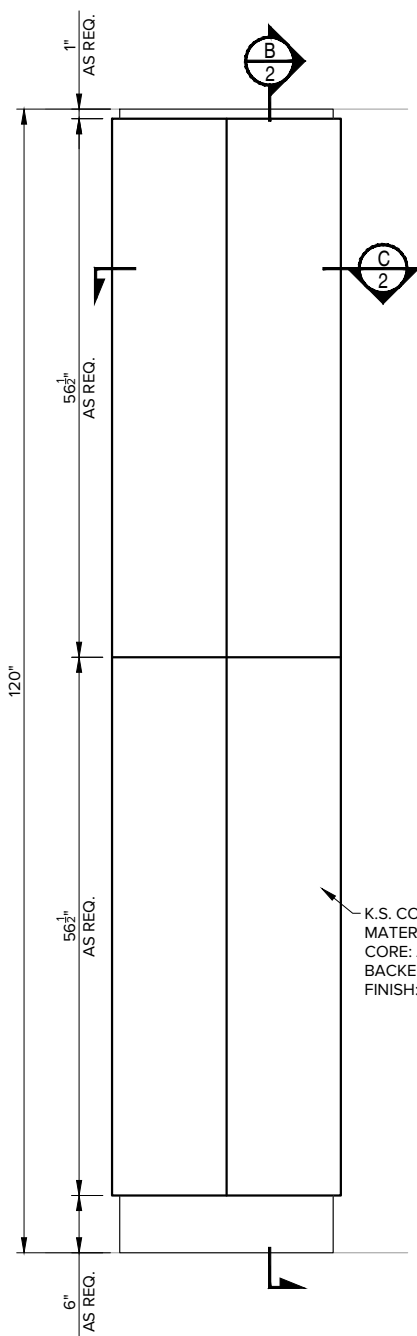
EXTERIOR  INTERIOR  DSCSP81

\*Any copy hereof issued by CARRITEC must be kept confidential and used by the recipient only for the specific purpose for which it is issued in conjunction with materials supplied or purchased and listed hereon.

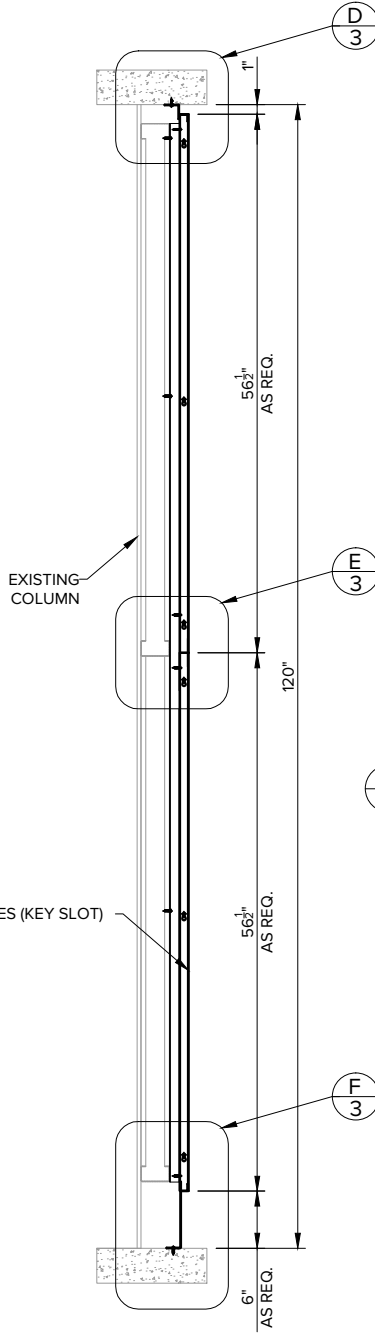
\*Dimensions are imperial.



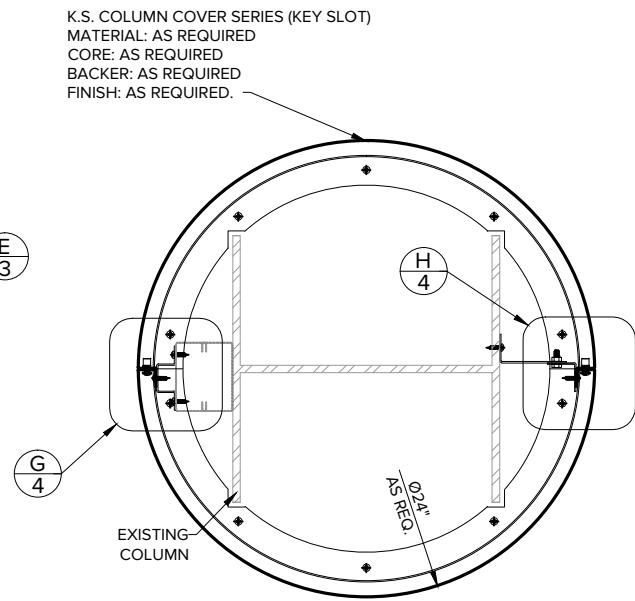
# K.S. COLUMN COVER SERIES (KEY SLOT)



ELEVATION A



SECTION B



SECTION C

K.S. COLUMN COVER SERIES (KEY SLOT)  
 MATERIAL: AS REQUIRED  
 CORE: AS REQUIRED  
 BACKER: AS REQUIRED  
 FINISH: AS REQUIRED.

K.S. COLUMN COVER SERIES (KEY SLOT)  
 MATERIAL: AS REQUIRED  
 CORE: AS REQUIRED  
 BACKER: AS REQUIRED  
 FINISH: AS REQUIRED.

EXTERIOR  INTERIOR  DSCSP81

\*Any copy hereof issued by CARRITEC must be kept confidential and used by the recipient only for the specific purpose for which it is issued in conjunction with materials supplied or purchased and listed hereon.

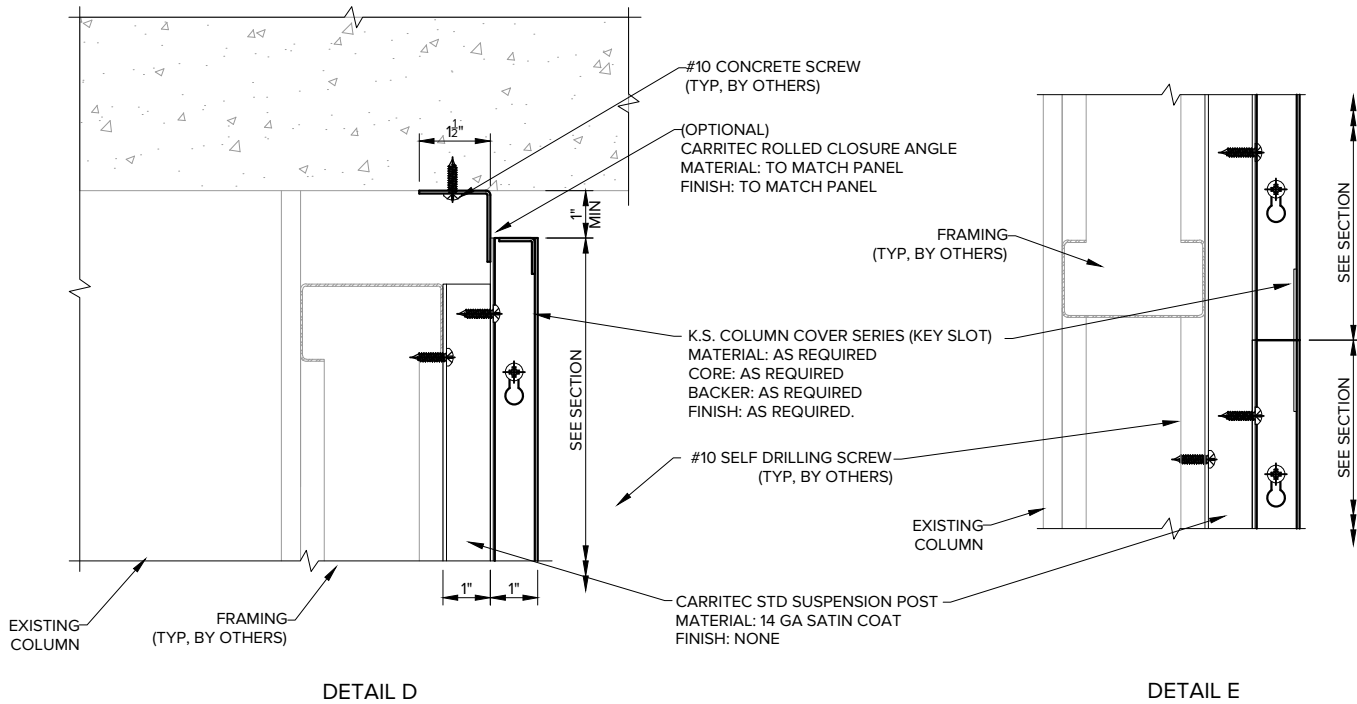
\*Dimensions are imperial.

TOLERANCES (UNLESS OTHERWISE SPECIFIED):

FRACTIONS: +1/64  
 ANGLES: ± 0.5  
 DECIMALS: -.XX ± 0.03  
 -.XXX ± 0.015

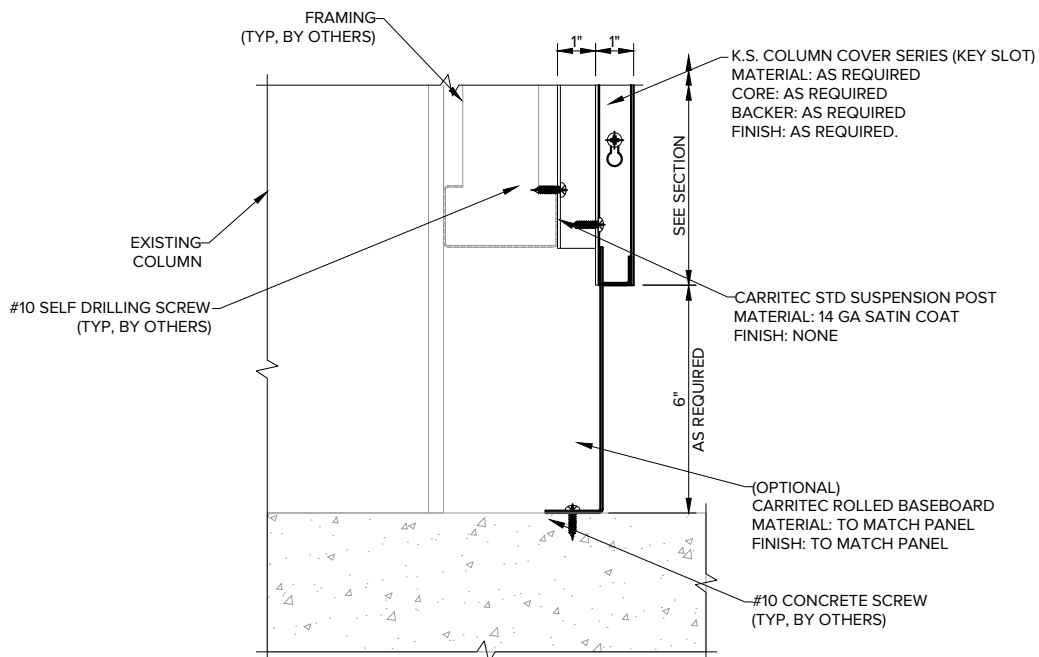


# K.S. COLUMN COVER SERIES (KEY SLOT)



DETAIL D

DETAIL E



DETAIL F

EXTERIOR  INTERIOR  DSCSP81

\*Any copy hereof issued by CARRITEC must be kept confidential and used by the recipient only for the specific purpose for which it is issued in conjunction with materials supplied or purchased and listed hereon.

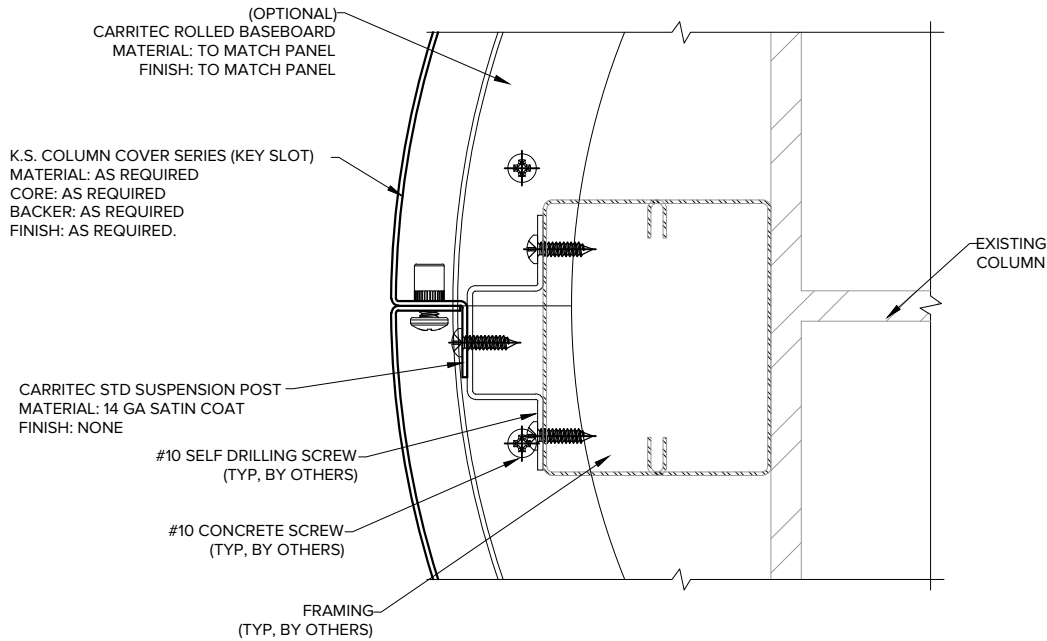
\*Dimensions are imperial.

TOLERANCES (UNLESS OTHERWISE SPECIFIED):

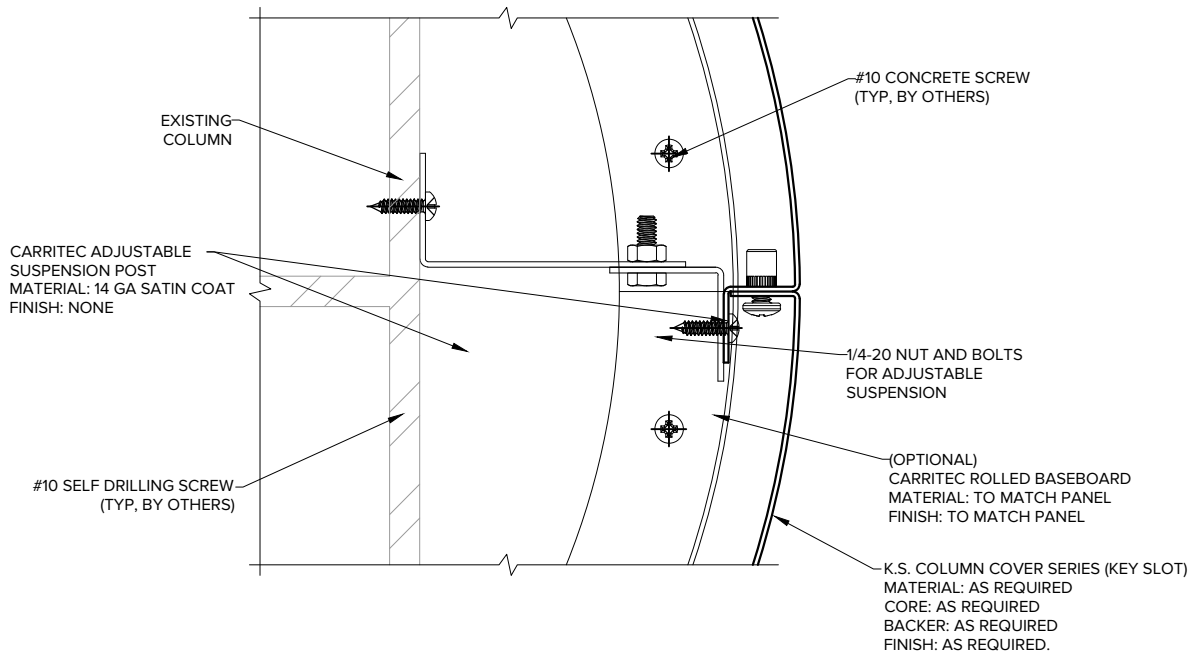
FRACTIONS: + 1/64  
 ANGLES: ± 0.5  
 DECIMALS: -.XX ± 0.03  
 -.XXX ± 0.015



# K.S. COLUMN COVER SERIES (KEY SLOT)



DETAIL G  
(OPTION 1)



DETAIL H  
(OPTION 2)

EXTERIOR  INTERIOR  DSCSP81

\*Any copy hereof issued by CARRITEC must be kept confidential and used by the recipient only for the specific purpose for which it is issued in conjunction with materials supplied or purchased and listed hereon.

\*Dimensions are imperial.

TOLERANCES (UNLESS OTHERWISE SPECIFIED):

FRACTIONS: + 1/64  
 ANGLES: ± 0.5  
 DECIMALS: -.XX ± 0.03  
 -.XXX ± 0.015

