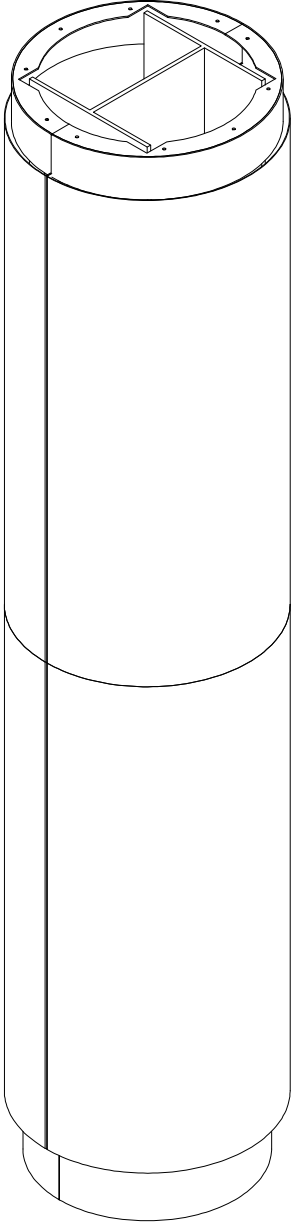


S.I. COLUMN COVER SERIES (SCREW IN)



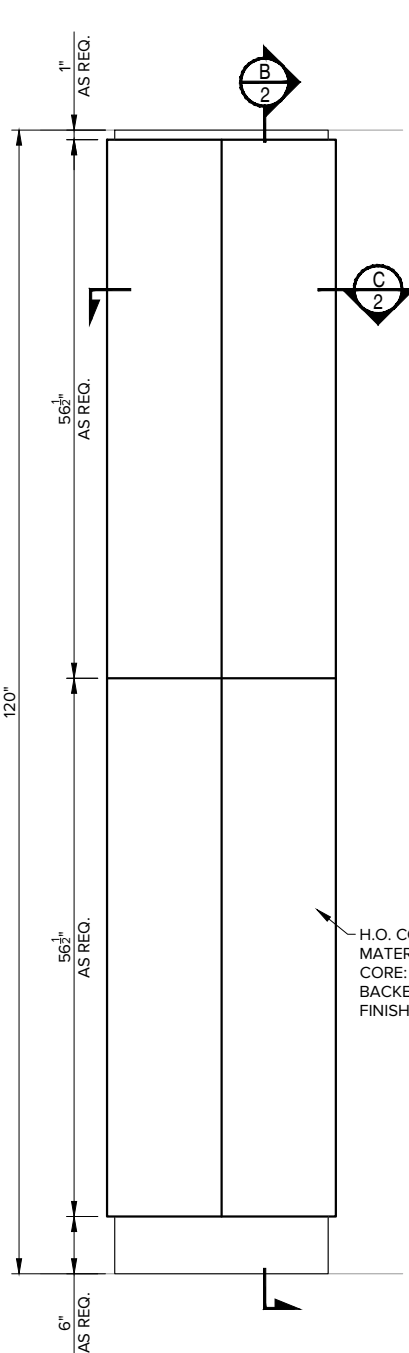
EXTERIOR INTERIOR DSCSP82

*Any copy hereof issued by CARRITEC must be kept confidential and used by the recipient only for the specific purpose for which it is issued in conjunction with materials supplied or purchased and listed hereon.

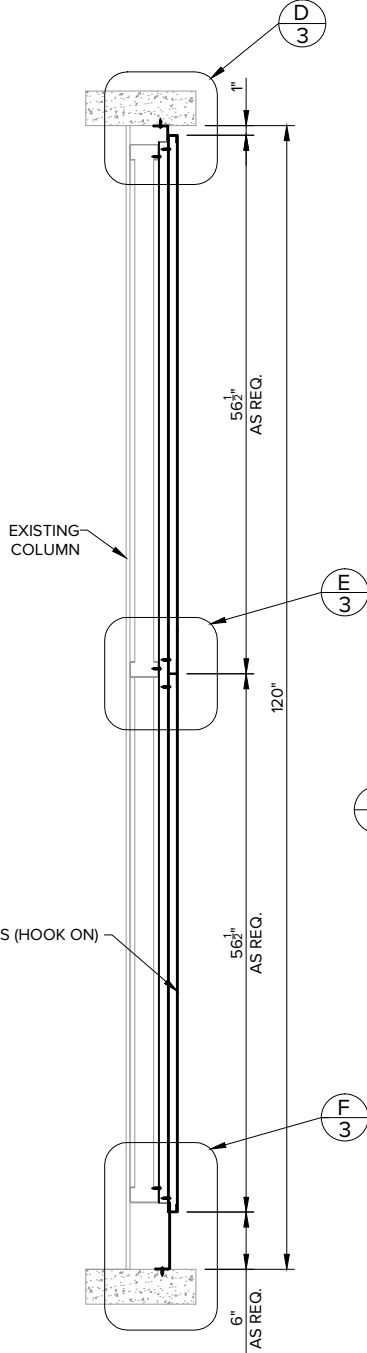
*Dimensions are imperial.



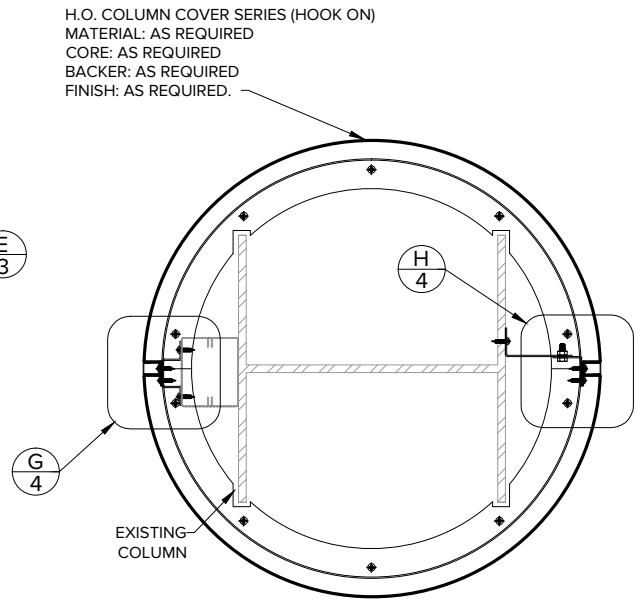
S.I. COLUMN COVER SERIES (SCREW IN)



ELEVATION A



SECTION B



SECTION C

H.O. COLUMN COVER SERIES (HOOK ON)
 MATERIAL: AS REQUIRED
 CORE: AS REQUIRED
 BACKER: AS REQUIRED
 FINISH: AS REQUIRED.

H.O. COLUMN COVER SERIES (HOOK ON)
 MATERIAL: AS REQUIRED
 CORE: AS REQUIRED
 BACKER: AS REQUIRED
 FINISH: AS REQUIRED.

EXTERIOR INTERIOR DSCSP82

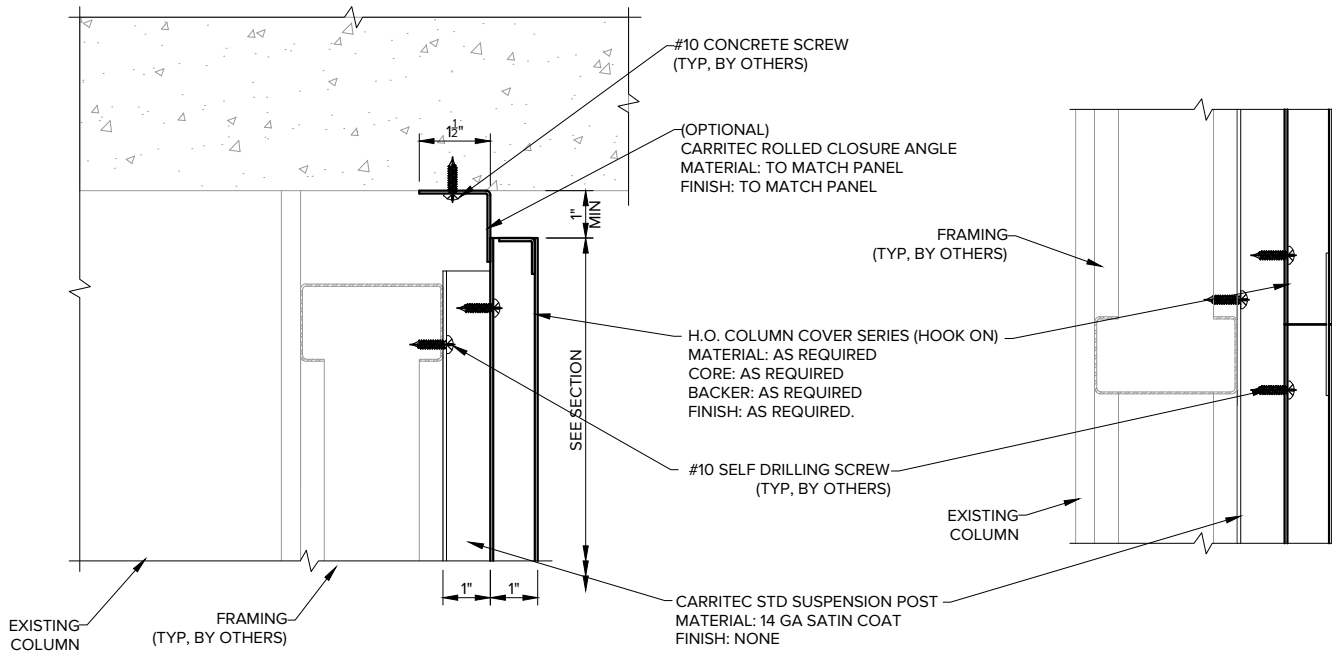
*Any copy hereof issued by CARRITEC must be kept confidential and used by the recipient only for the specific purpose for which it is issued in conjunction with materials supplied or purchased and listed hereon.

*Dimensions are imperial.

TOLERANCES (UNLESS OTHERWISE SPECIFIED):
 FRACTIONS: +1/64
 ANGLES: ± 0.5
 DECIMALS: -.XX ± 0.03
 -.XXX ± 0.015

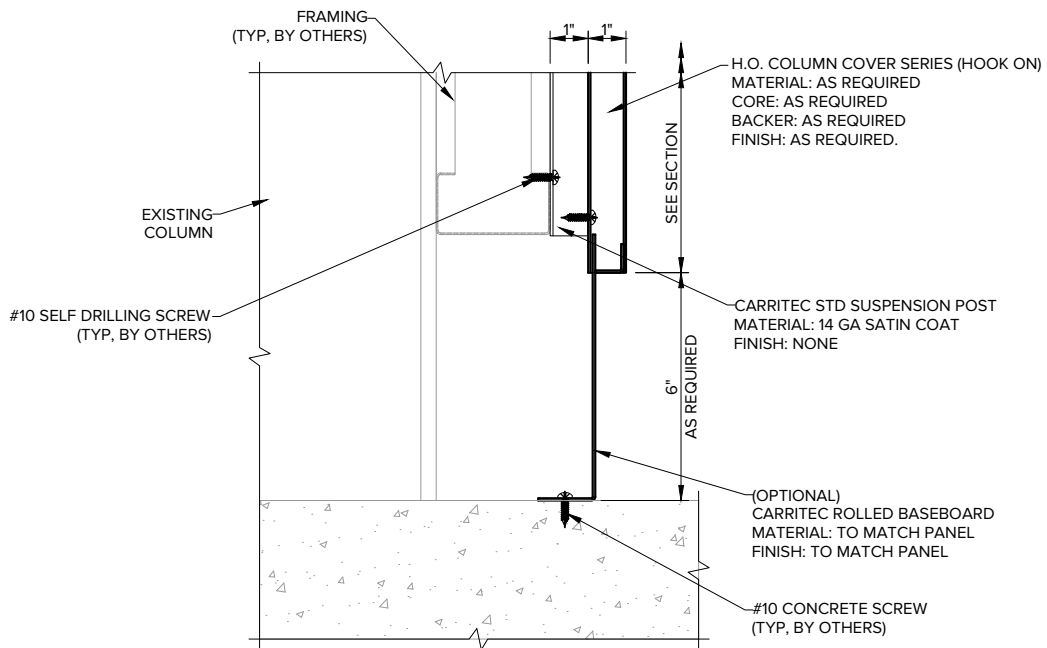


S.I. COLUMN COVER SERIES (SCREW IN)



DETAIL D

DETAIL E



DETAIL F

EXTERIOR INTERIOR DSCSP82

*Any copy hereof issued by CARRITEC must be kept confidential and used by the recipient only for the specific purpose for which it is issued in conjunction with materials supplied or purchased and listed hereon.

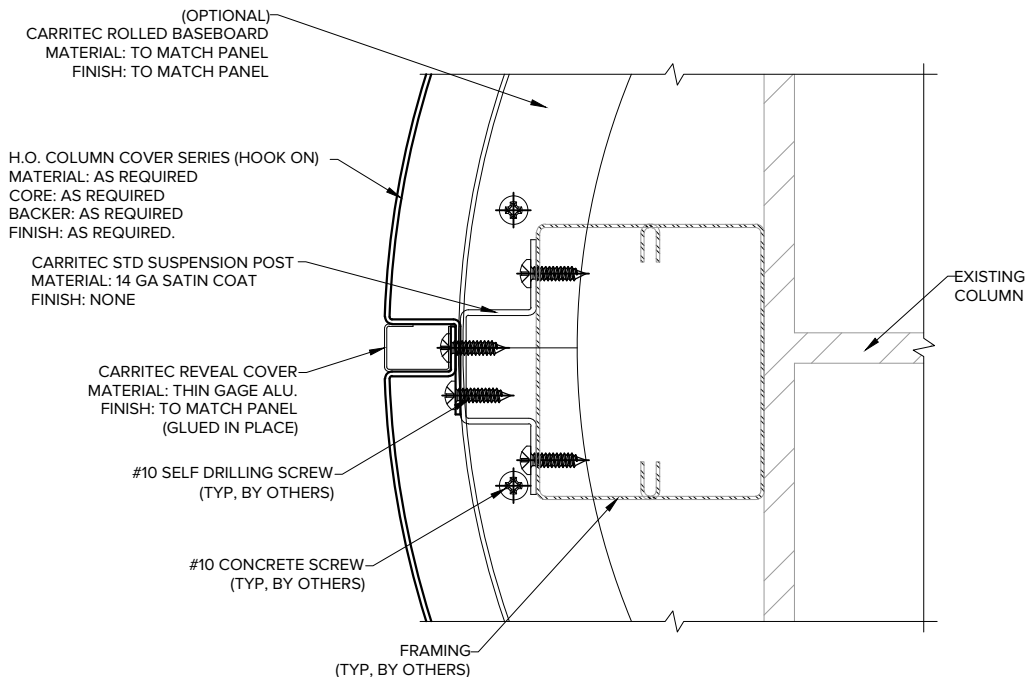
*Dimensions are imperial.

TOLERANCES (UNLESS OTHERWISE SPECIFIED):

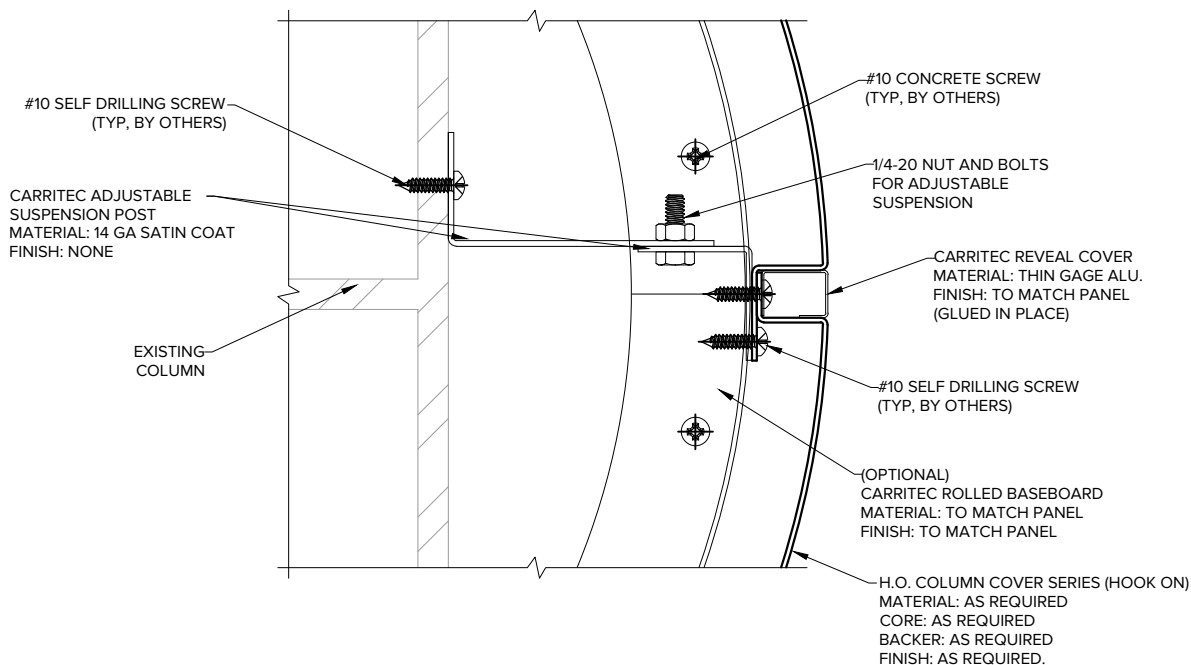
FRACTIONS: + 1/64
 ANGLES: ± 0.5
 DECIMALS: -.XX ± 0.03
 -.XXX ± 0.015



S.I. COLUMN COVER SERIES (SCREW IN)



DETAIL G
(OPTION 1)



DETAIL H
(OPTION 2)

EXTERIOR INTERIOR DSCSP82

*Any copy hereof issued by CARRITEC must be kept confidential and used by the recipient only for the specific purpose for which it is issued in conjunction with materials supplied or purchased and listed hereon.

*Dimensions are imperial.

TOLERANCES (UNLESS OTHERWISE SPECIFIED):
 FRACTIONS: + 1/64
 ANGLES: ± 0.5
 DECIMALS: -.XX ± 0.03
 -.XXX ± 0.015

