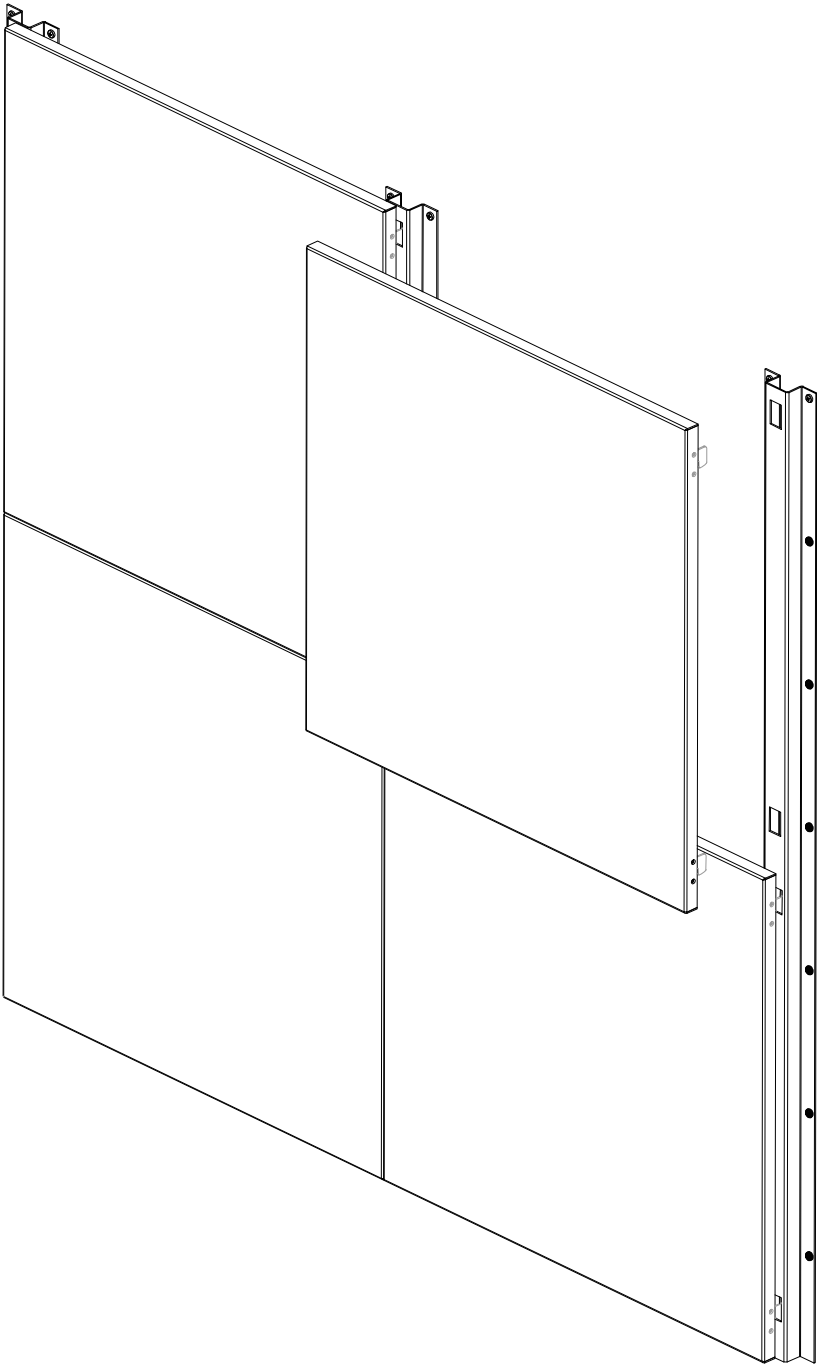


# HULL SERIES



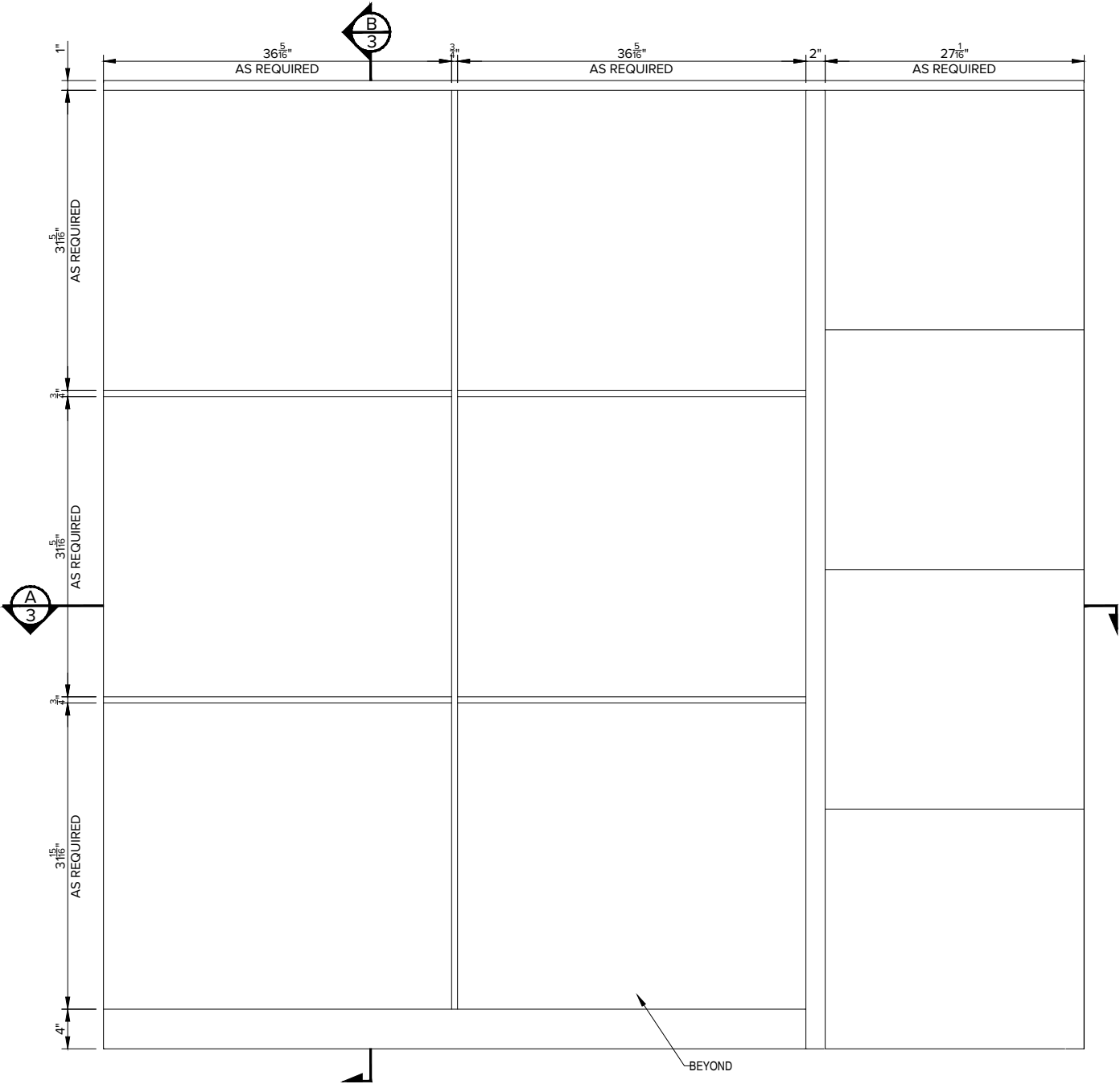
EXTERIOR  INTERIOR  DSWSP41

\*Any copy hereof issued by CARRITEC must be kept confidential and used by the recipient only for the specific purpose for which it is issued in conjunction with materials supplied or purchased and listed hereon.

\*Dimensions are imperial.



# HULL SERIES



ELEVATION A

EXTERIOR  INTERIOR  DSWSP41

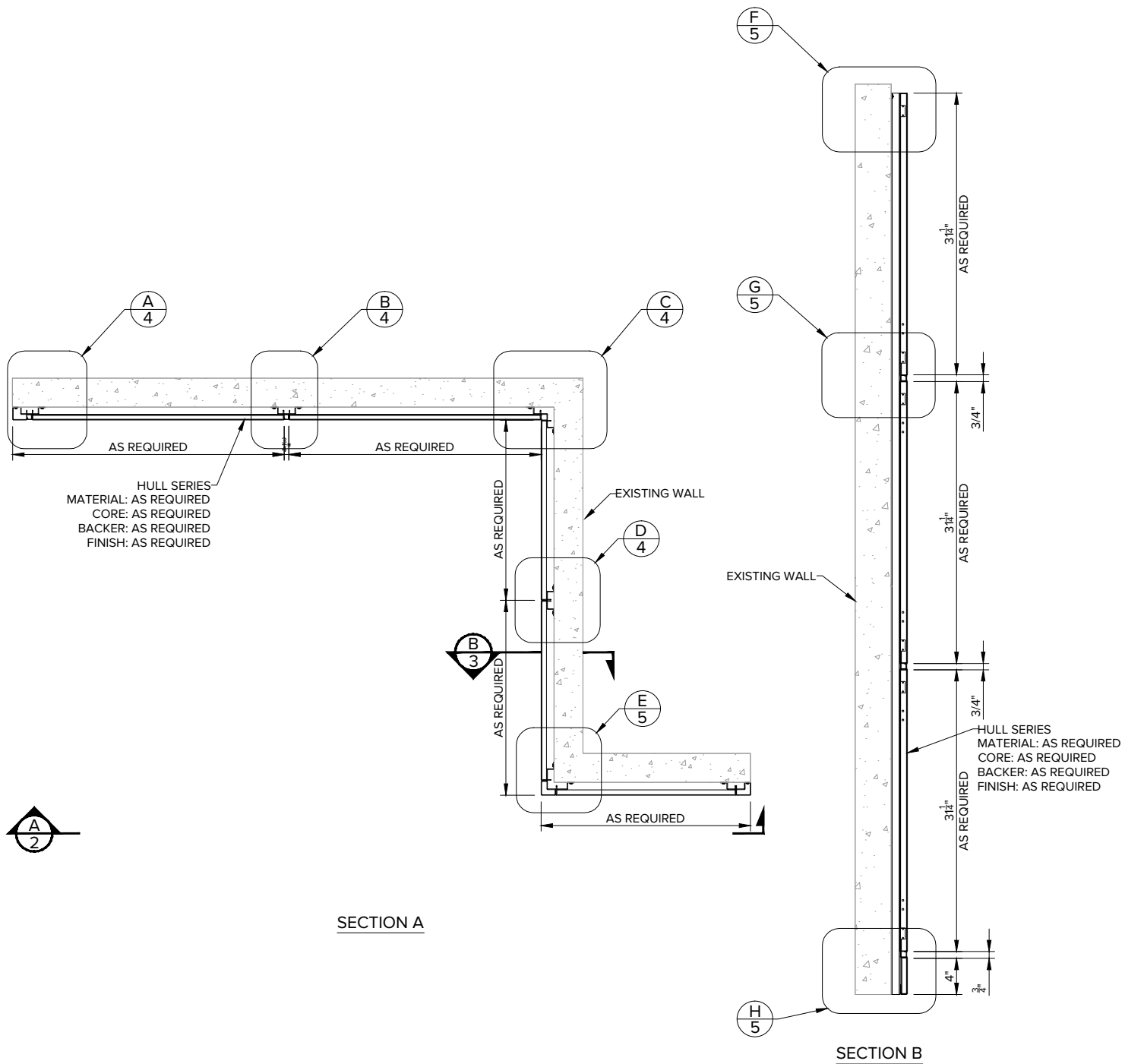
\*Any copy hereof issued by CARRITEC must be kept confidential and used by the recipient only for the specific purpose for which it is issued in conjunction with materials supplied or purchased and listed hereon.

\*Dimensions are imperial.

TOLERANCES (UNLESS OTHERWISE SPECIFIED):  
 FRACTIONS: +1/64  
 ANGLES: ± 0.5  
 DECIMALS: -.XX ± 0.03  
 -.XXX ± 0.015



# HULL SERIES



EXTERIOR  INTERIOR  DSWSP41

\*Any copy hereof issued by CARRITEC must be kept confidential and used by the recipient only for the specific purpose for which it is issued in conjunction with materials supplied or purchased and listed hereon.

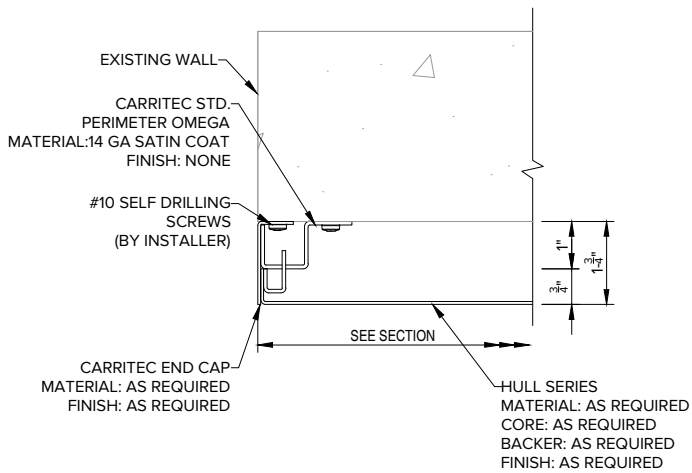
\*Dimensions are imperial.

TOLERANCES (UNLESS OTHERWISE SPECIFIED):

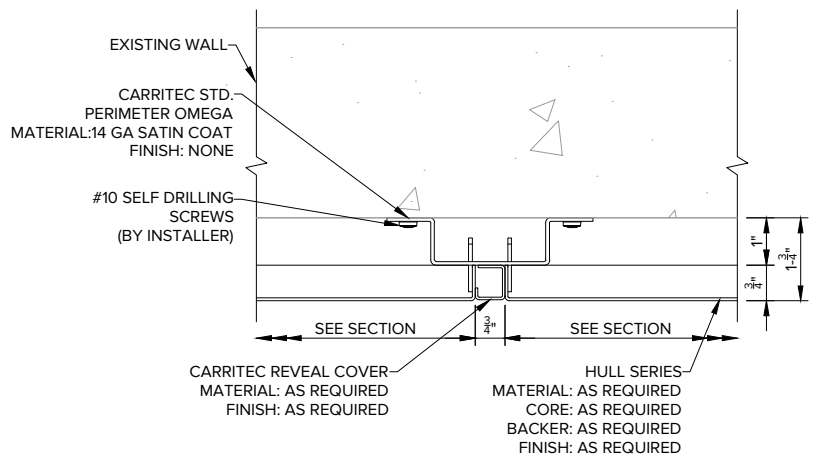
FRACTIONS: + 1/64  
 ANGLES: ± 0.5  
 DECIMALS: -.XX ± 0.03  
 -.XXX ± 0.015



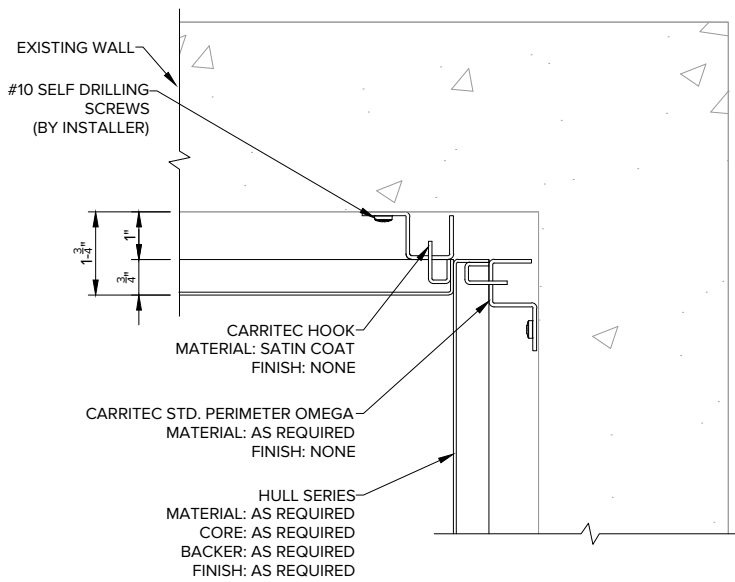
# HULL SERIES



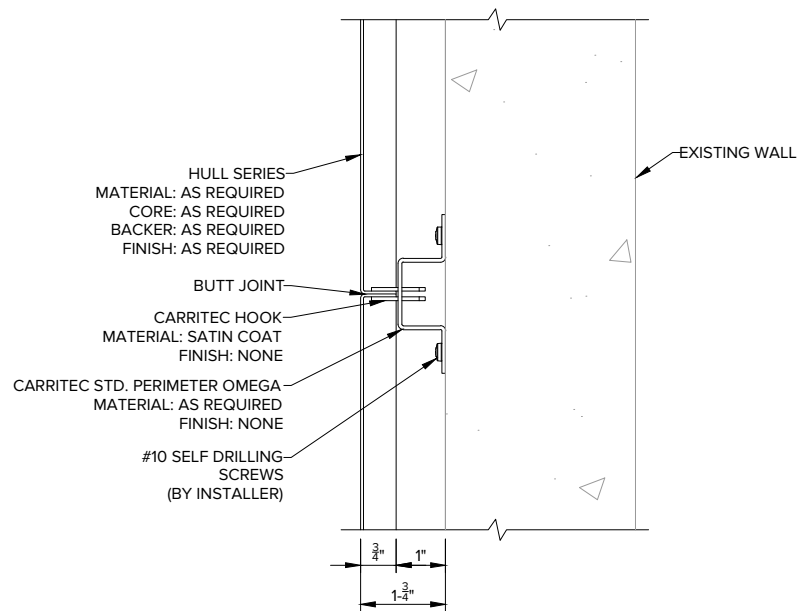
DETAIL A



DETAIL B



DETAIL C



DETAIL D

EXTERIOR  INTERIOR  DSWSP41

\*Any copy hereof issued by CARRITEC must be kept confidential and used by the recipient only for the specific purpose for which it is issued in conjunction with materials supplied or purchased and listed hereon.

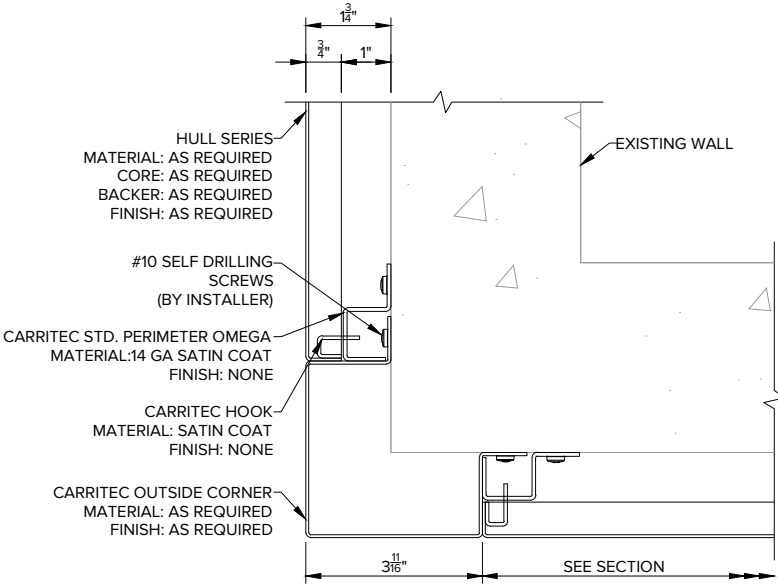
\*Dimensions are imperial.

TOLERANCES (UNLESS OTHERWISE SPECIFIED):

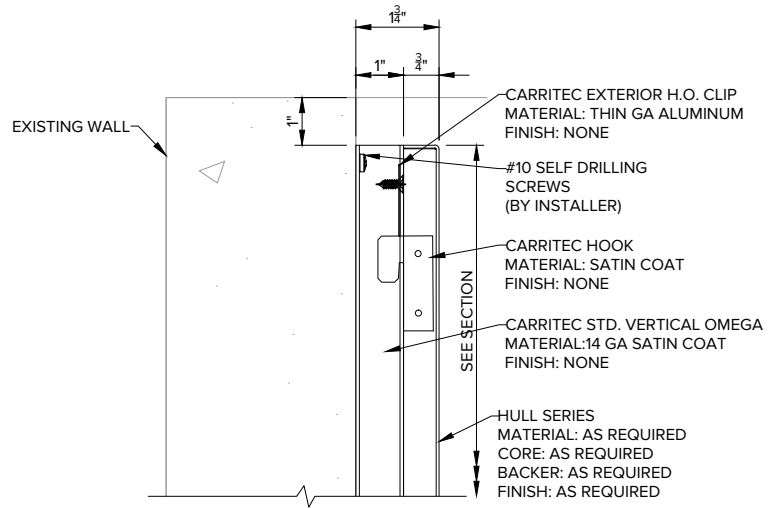
FRACTIONS: + 1/64  
 ANGLES: ± 0.5  
 DECIMALS: -.XX ± 0.03  
 -.XXX ± 0.015



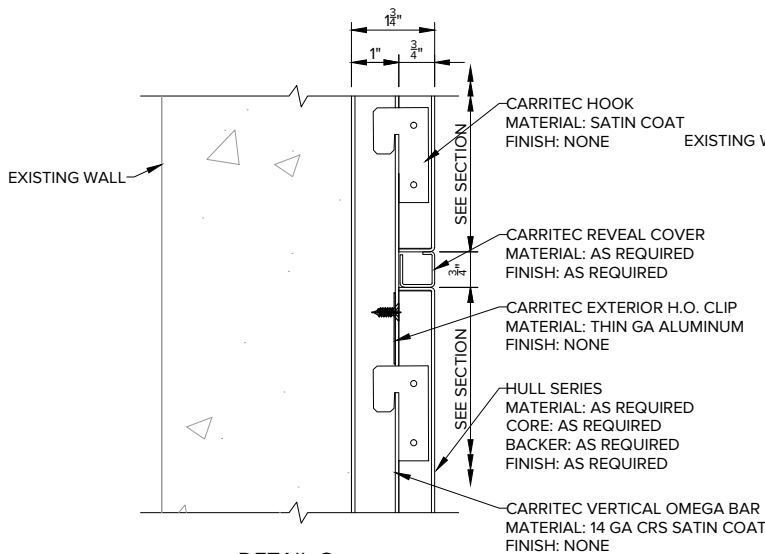
# HULL SERIES



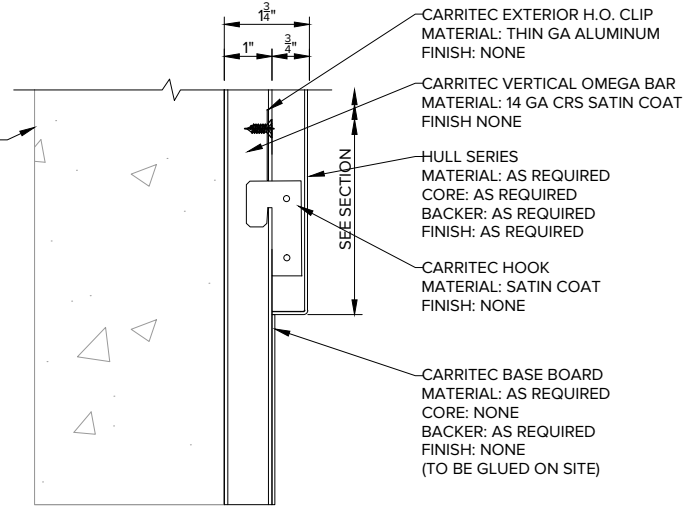
DETAIL E



DETAIL F



DETAIL G



DETAIL H

EXTERIOR  INTERIOR  DSWSP41

\*Any copy hereof issued by CARRITEC must be kept confidential and used by the recipient only for the specific purpose for which it is issued in conjunction with materials supplied or purchased and listed hereon.

\*Dimensions are imperial.

TOLERANCES (UNLESS OTHERWISE SPECIFIED):

FRACTIONS: + 1/64  
 ANGLES: ± 0.5  
 DECIMALS: -.XX ± 0.03  
 -.XXX ± 0.015

