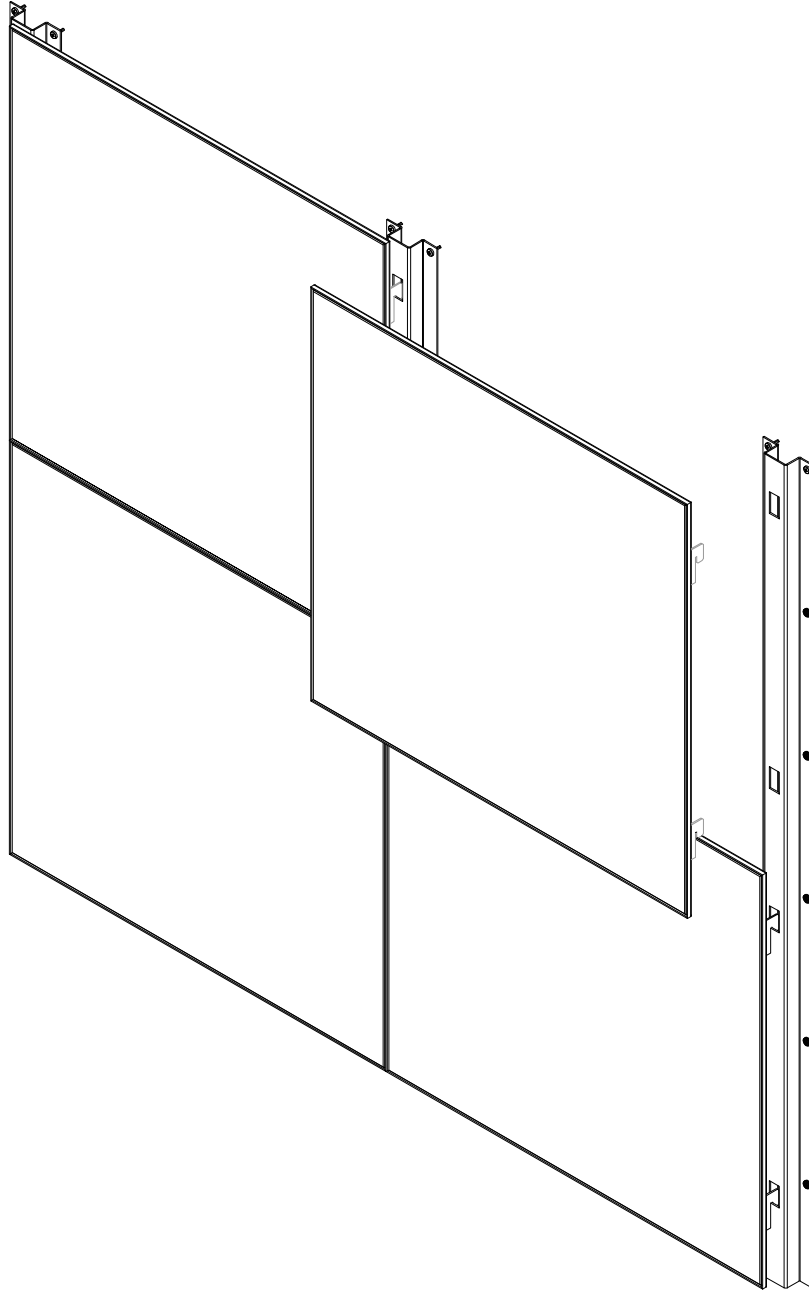


AMMIL SERIES



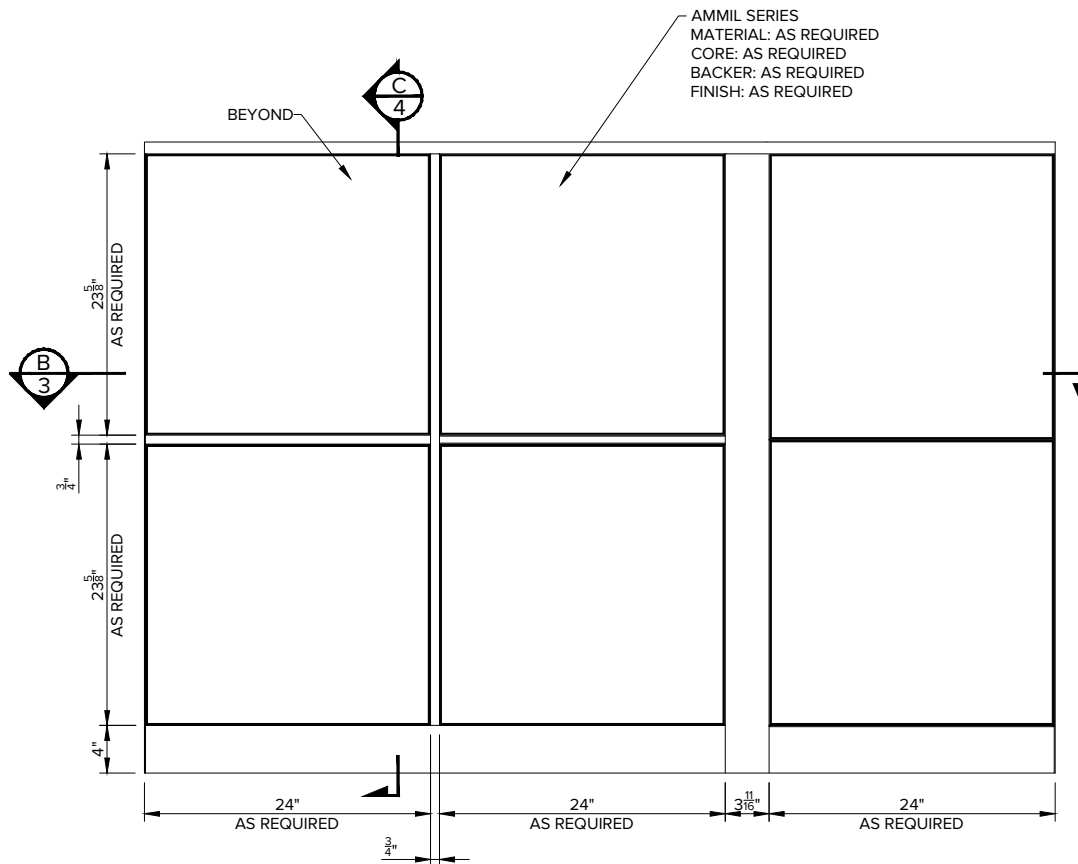
EXTERIOR INTERIOR DSWSP44

*Any copy hereof issued by CARRITEC must be kept confidential and used by the recipient only for the specific purpose for which it is issued in conjunction with materials supplied or purchased and listed hereon.

*Dimensions are imperial.



AMMIL SERIES



ELEVATION A

EXTERIOR INTERIOR DSWSP44

*Any copy hereof issued by CARRITEC must be kept confidential and used by the recipient only for the specific purpose for which it is issued in conjunction with materials supplied or purchased and listed hereon.

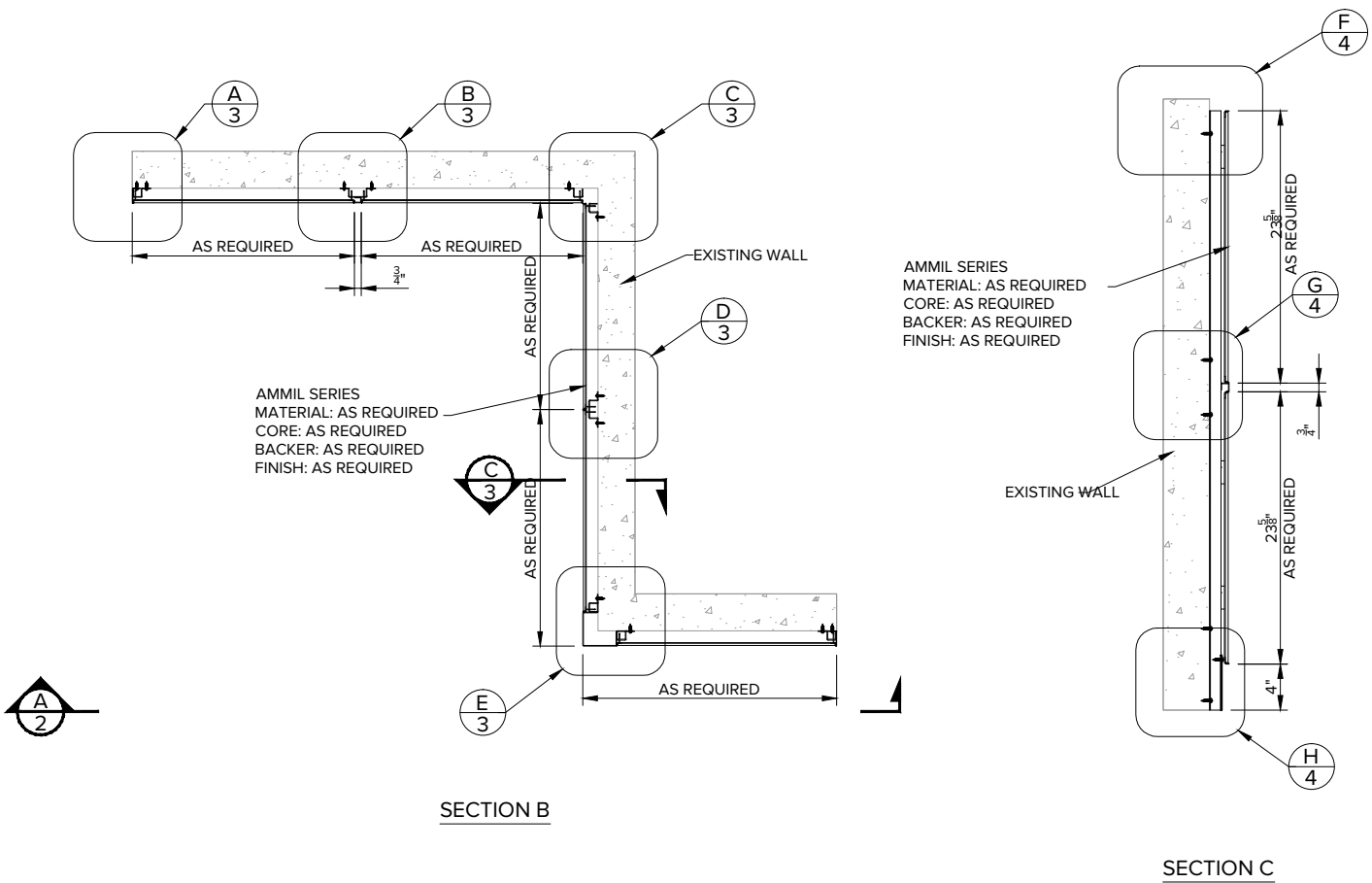
*Dimensions are imperial.

TOLERANCES (UNLESS OTHERWISE SPECIFIED):

FRACTIONS: +1/64
 ANGLES: ± 0.5
 DECIMALS: -.XX ± 0.03
 -.XXX ± 0.015



AMMIL SERIES



EXTERIOR INTERIOR DSWSP44

*Any copy hereof issued by CARRITEC must be kept confidential and used by the recipient only for the specific purpose for which it is issued in conjunction with materials supplied or purchased and listed hereon.

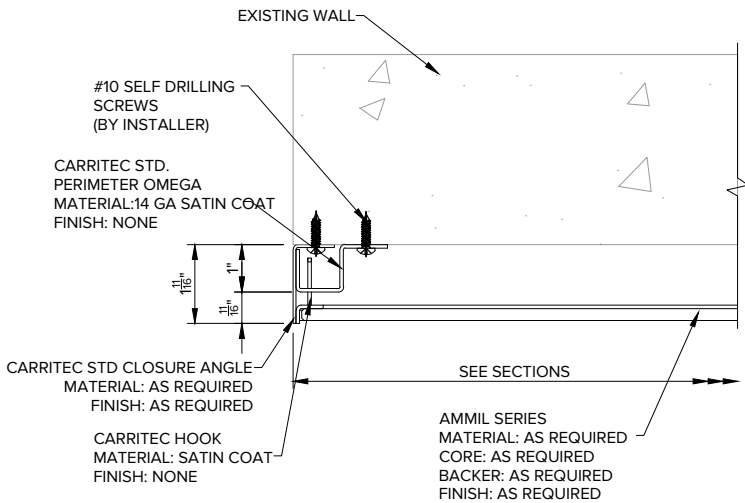
*Dimensions are imperial.

TOLERANCES (UNLESS OTHERWISE SPECIFIED):

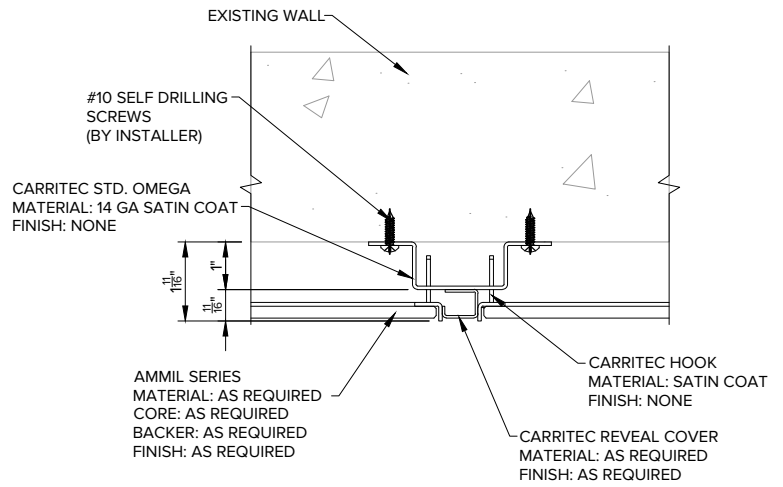
FRACTIONS: + 1/64
 ANGLES: ± 0.5
 DECIMALS: -.XX ± 0.03
 -.XXX ± 0.015



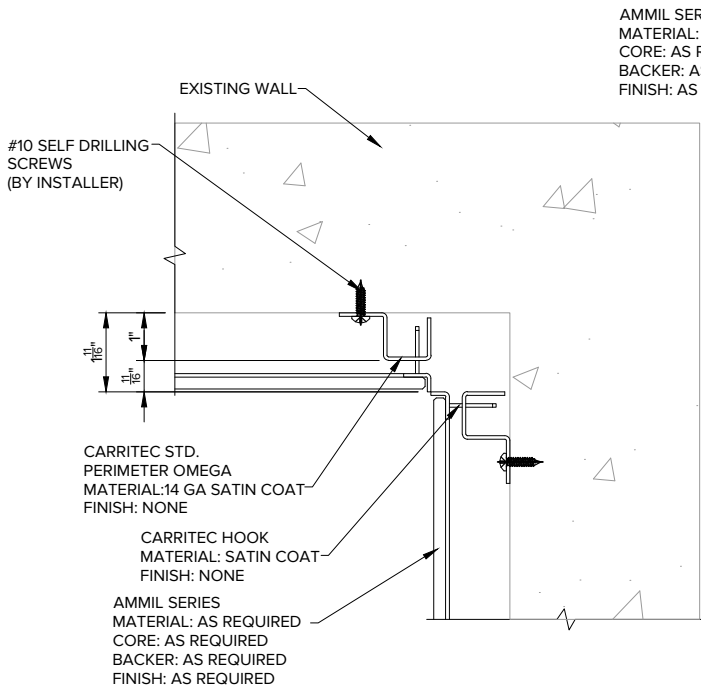
AMMIL SERIES



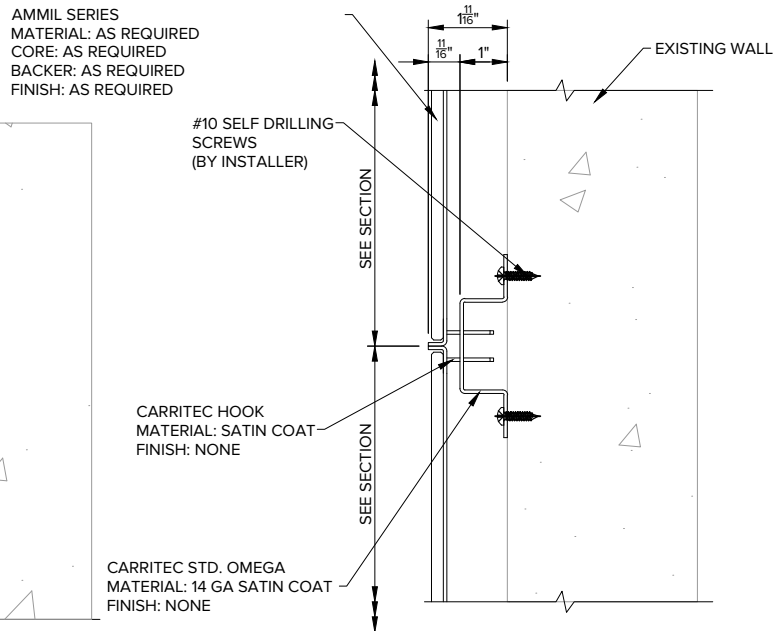
DETAIL A



DETAIL B



DETAIL C



DETAIL D

EXTERIOR INTERIOR DSWSP44

*Any copy hereof issued by CARRITEC must be kept confidential and used by the recipient only for the specific purpose for which it is issued in conjunction with materials supplied or purchased and listed hereon.

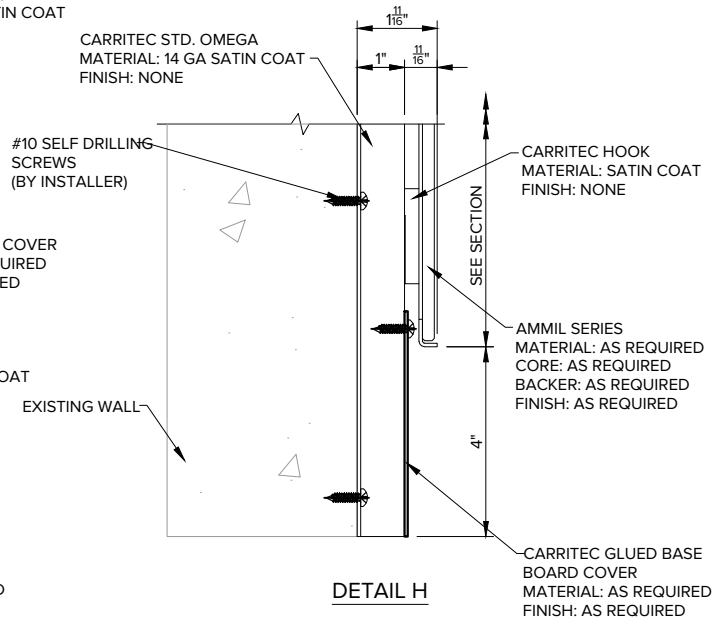
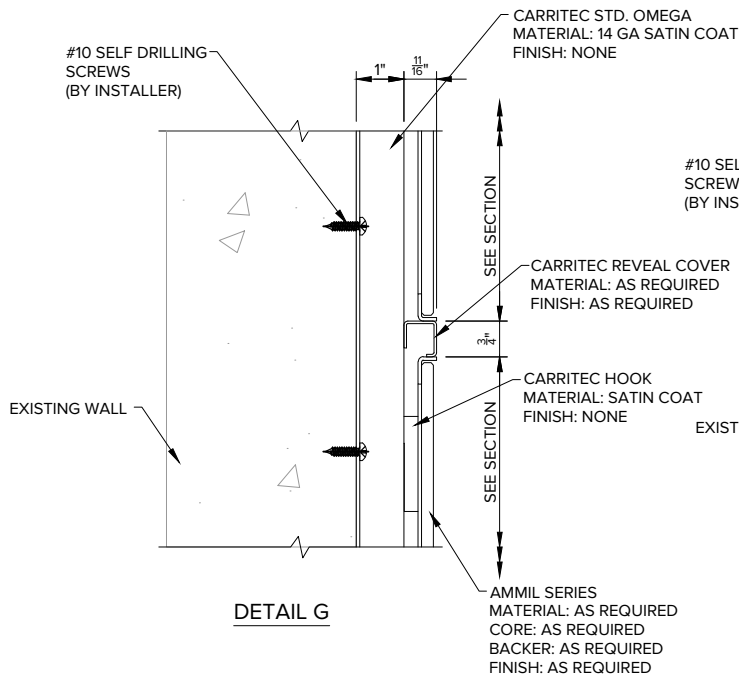
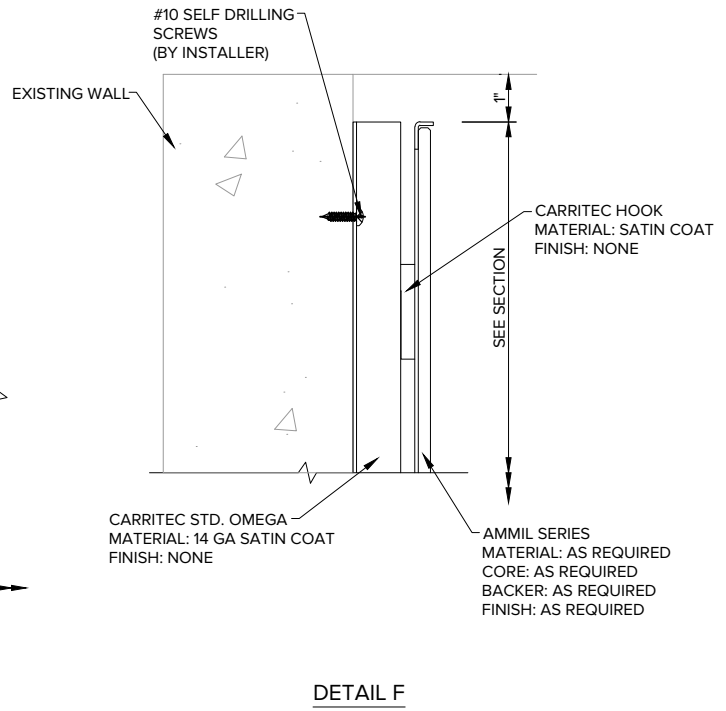
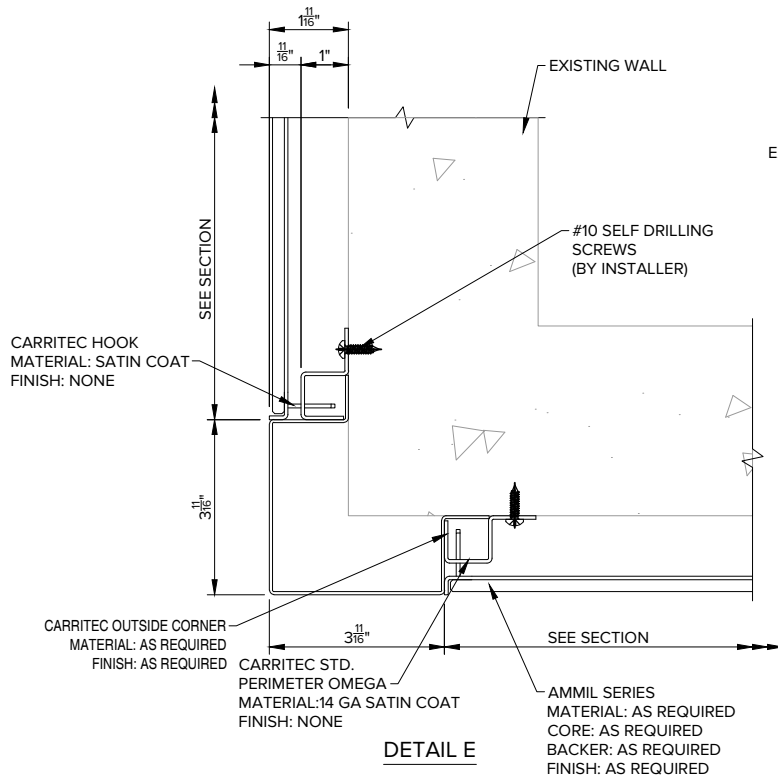
*Dimensions are imperial.

TOLERANCES (UNLESS OTHERWISE SPECIFIED):

FRACTIONS: + 1/64
 ANGLES: ± 0.5
 DECIMALS: -.XX ± 0.03
 -.XXX ± 0.015



AMMIL SERIES



EXTERIOR INTERIOR DSWSP44

*Any copy hereof issued by CARRITEC must be kept confidential and used by the recipient only for the specific purpose for which it is issued in conjunction with materials supplied or purchased and listed hereon.

*Dimensions are imperial.

TOLERANCES (UNLESS OTHERWISE SPECIFIED):

FRACTIONS: + 1/64
 ANGLES: ± 0.5
 DECIMALS: -.XX ± 0.03
 -.XXX ± 0.015

