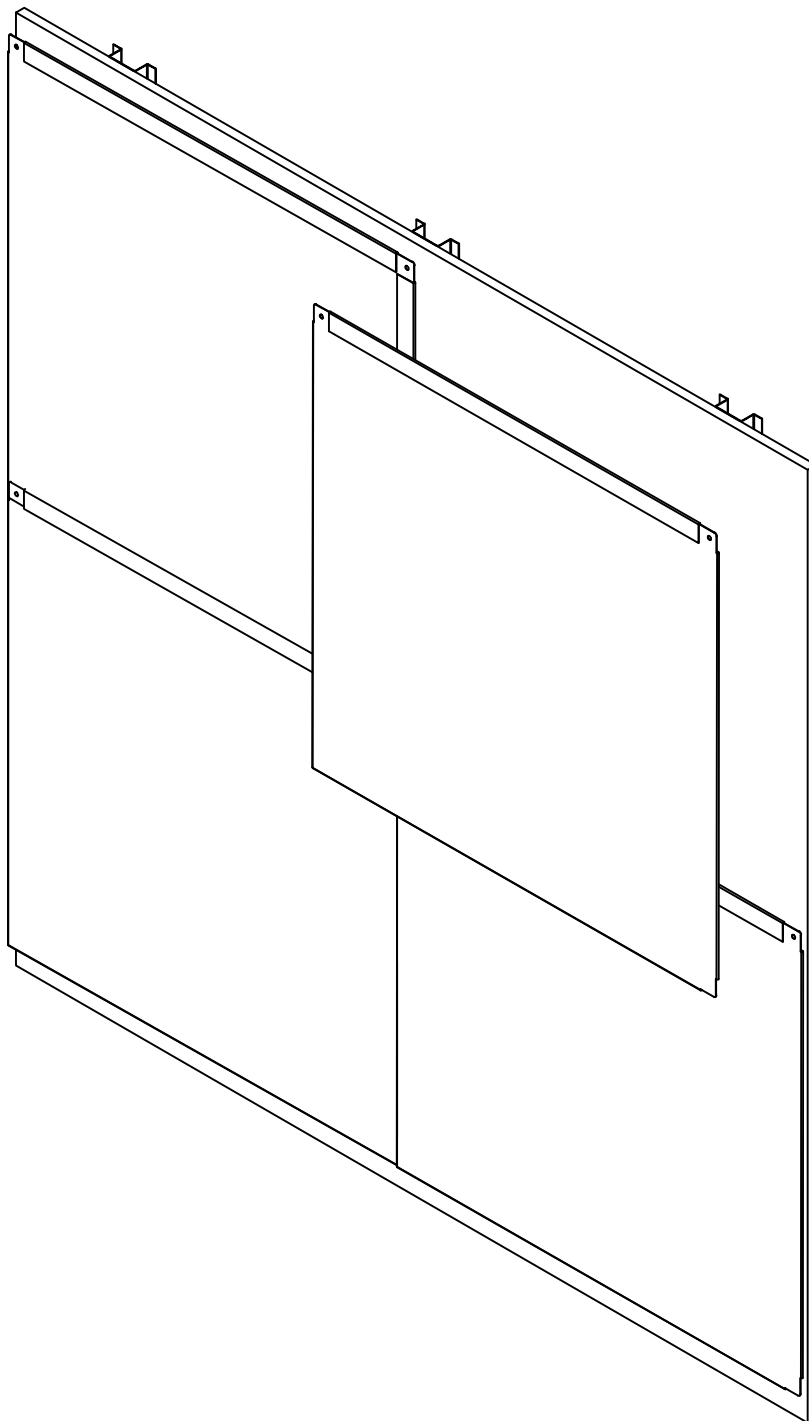


# GULLY SERIES



EXTERIOR  INTERIOR  DSWSP47

\*Any copy hereof issued by CARRITEC must be kept confidential and used by the recipient only for the specific purpose for which it is issued in conjunction with materials supplied or purchased and listed hereon.

\*Dimensions are imperial.

TOLERANCES (UNLESS OTHERWISE SPECIFIED):

FRACTIONS: +1/64

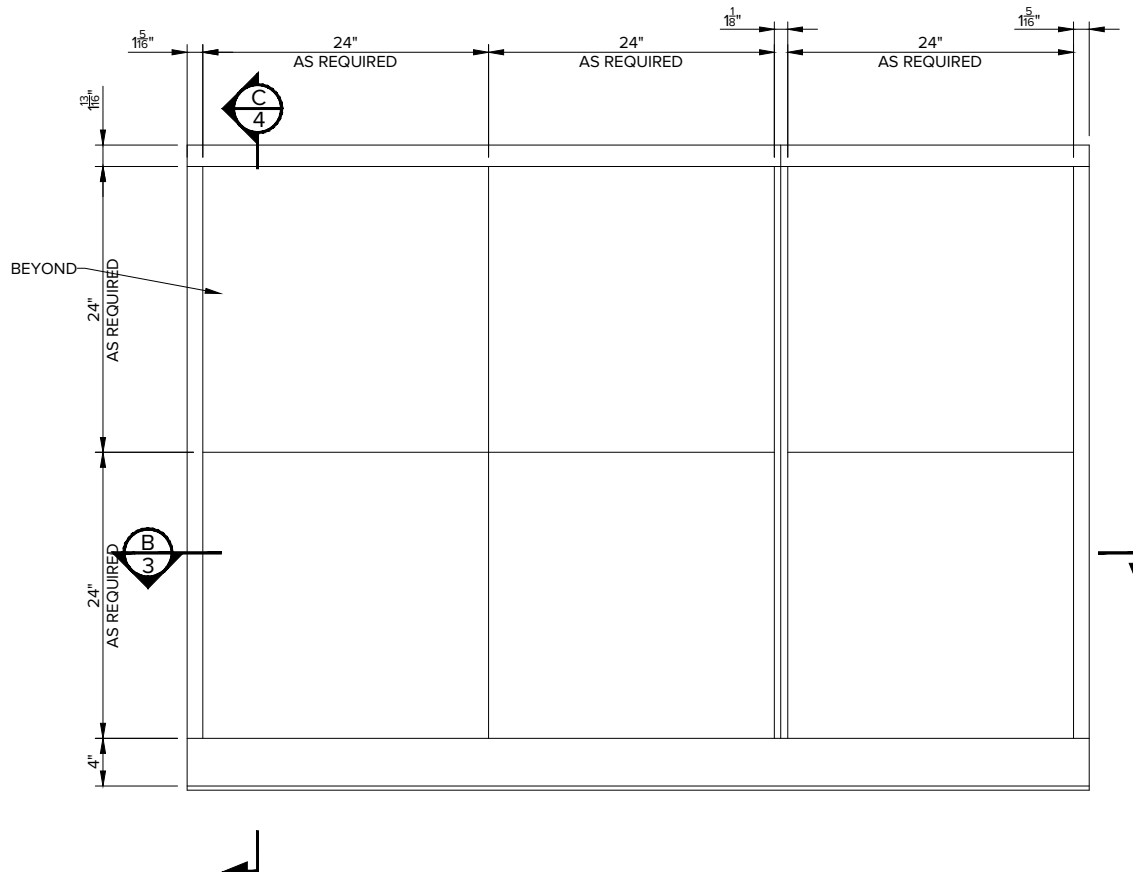
ANGLES: ± 0.5

DECIMALS: -.XX ± 0.03

-.XXX ± 0.015



# GULLY SERIES



ELEVATION A

EXTERIOR  INTERIOR  DSWSP47

\*Any copy hereof issued by CARRITEC must be kept confidential and used by the recipient only for the specific purpose for which it is issued in conjunction with materials supplied or purchased and listed hereon.

\*Dimensions are imperial.

TOLERANCES (UNLESS OTHERWISE SPECIFIED):

FRACTIONS: +1/64

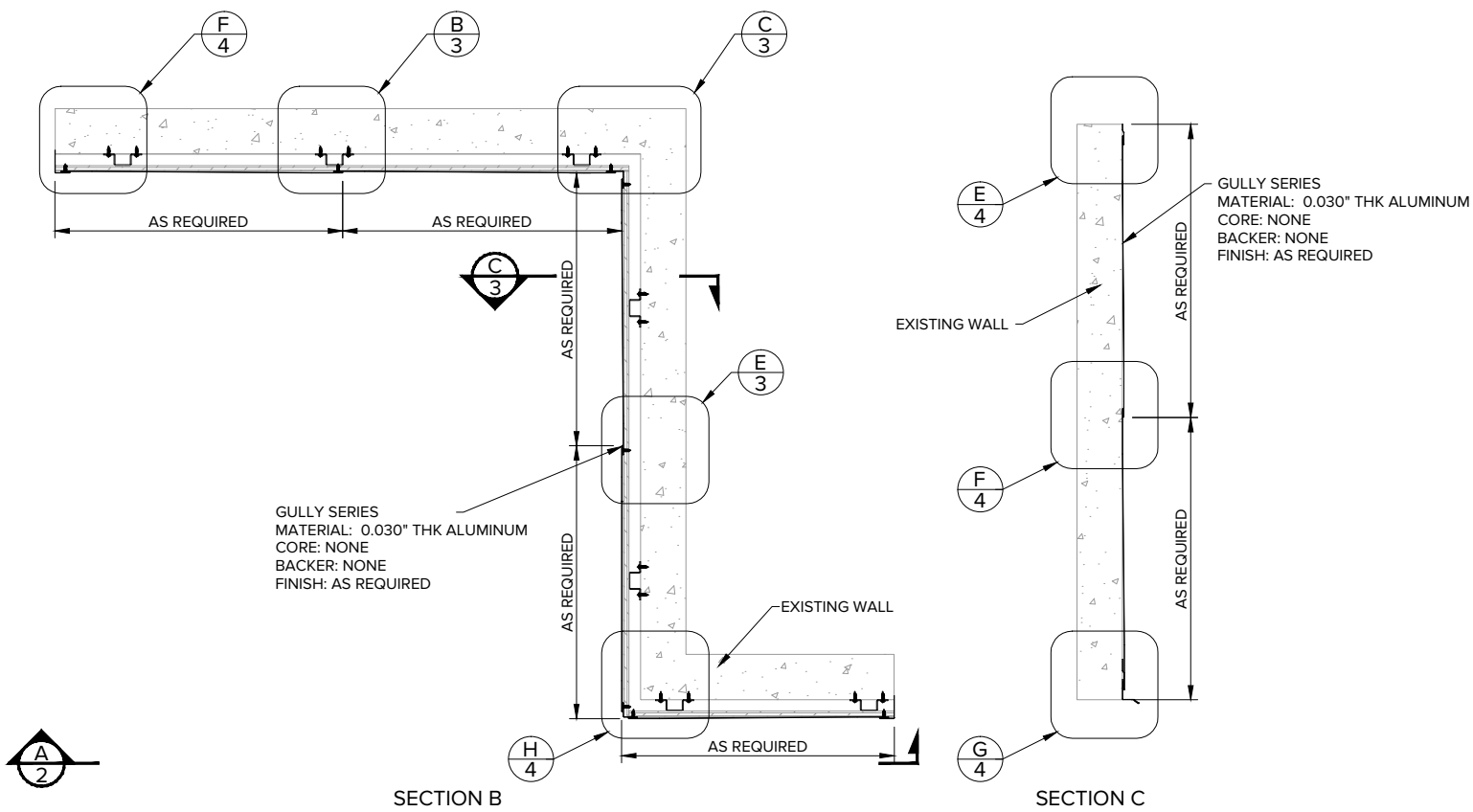
ANGLES: ± 0.5

DECIMALS: -.XX ± 0.03

-.XXX ± 0.015



# GULLY SERIES



EXTERIOR  INTERIOR  DSWSP47

\*Any copy hereof issued by CARRITEC must be kept confidential and used by the recipient only for the specific purpose for which it is issued in conjunction with materials supplied or purchased and listed hereon.

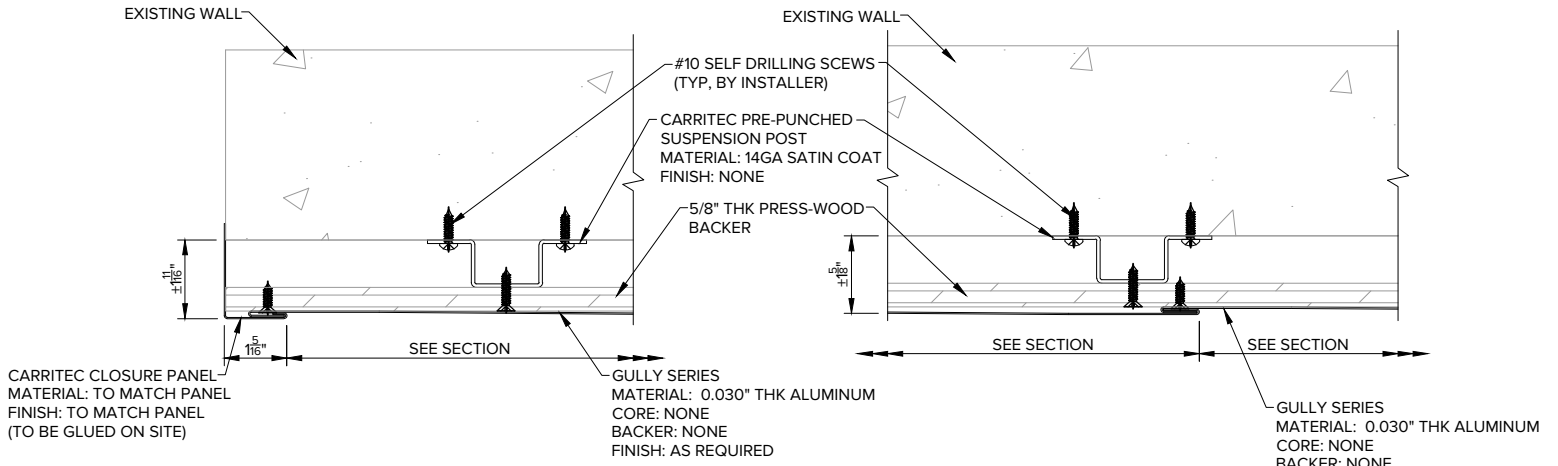
\*Dimensions are imperial.

TOLERANCES (UNLESS OTHERWISE SPECIFIED):

FRACTIONS: + 1/64  
 ANGLES: ± 0.5  
 DECIMALS: -.XX ± 0.03  
 -.XXX ± 0.015

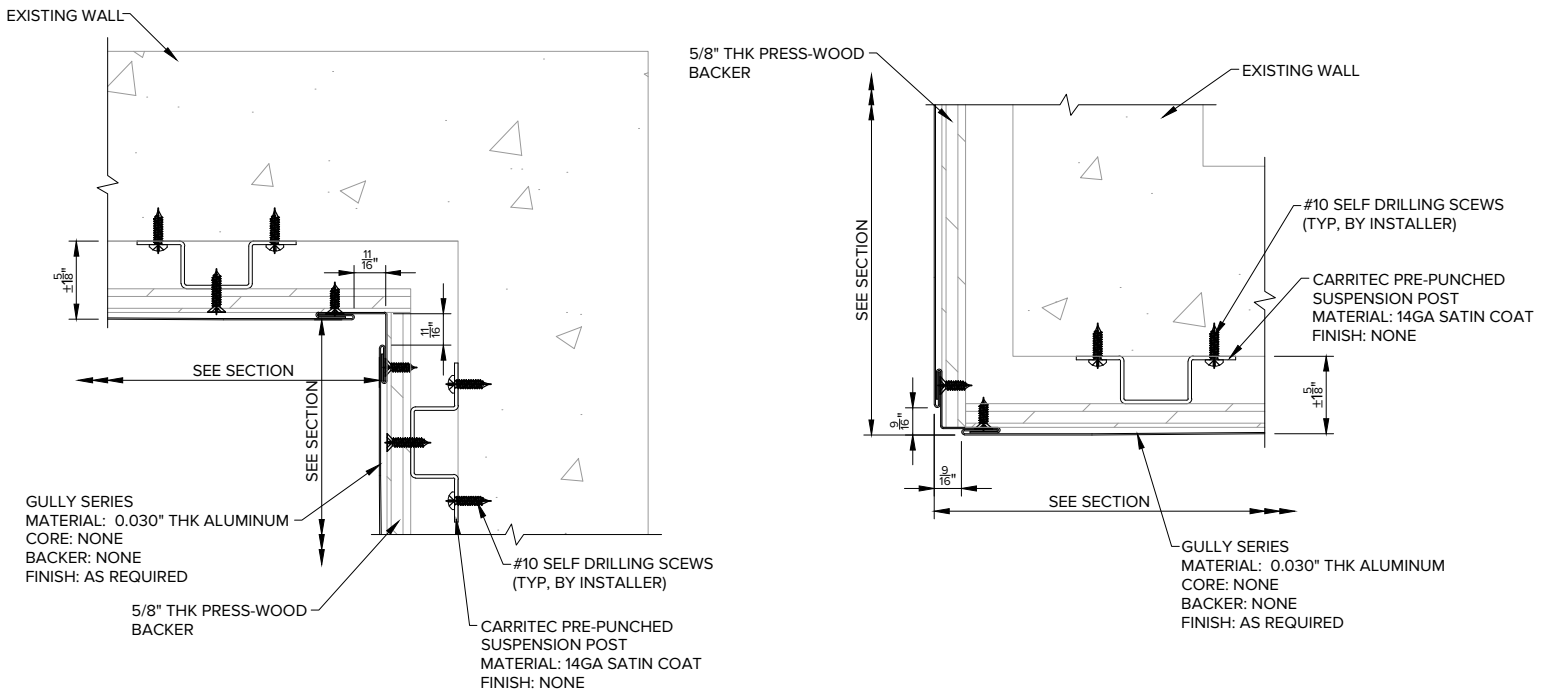


# GULLY SERIES



DETAIL A

DETAIL B



DETAIL C

DETAIL D

EXTERIOR  INTERIOR  DSWSP47

\*Any copy hereof issued by CARRITEC must be kept confidential and used by the recipient only for the specific purpose for which it is issued in conjunction with materials supplied or purchased and listed hereon.

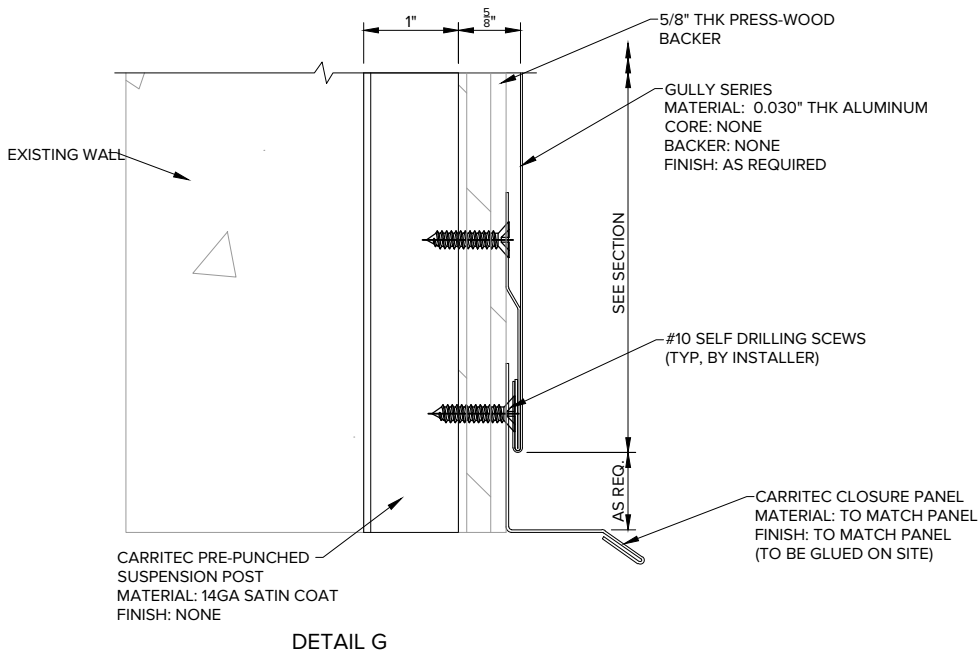
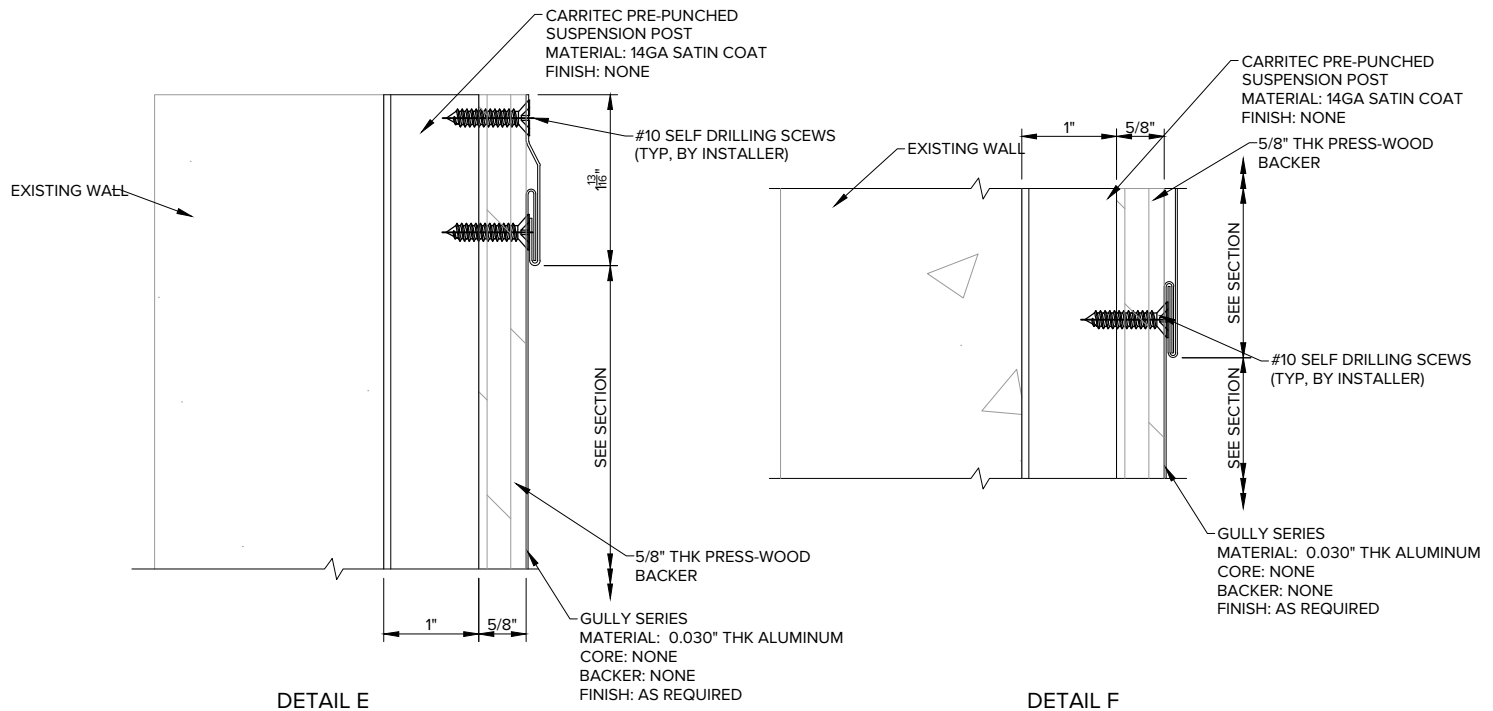
\*Dimensions are imperial.

TOLERANCES (UNLESS OTHERWISE SPECIFIED):

FRACTIONS: + 1/64  
 ANGLES: ± 0.5  
 DECIMALS: -.XX ± 0.03  
 -.XXX ± 0.015



# GULLY SERIES



EXTERIOR  INTERIOR  DSWSP47

\*Any copy hereof issued by CARRITEC must be kept confidential and used by the recipient only for the specific purpose for which it is issued in conjunction with materials supplied or purchased and listed hereon.

\*Dimensions are imperial.

TOLERANCES (UNLESS OTHERWISE SPECIFIED):

FRACTIONS: + 1/64  
 ANGLES: ± 0.5  
 DECIMALS: -.XX ± 0.03  
 -.XXX ± 0.015

