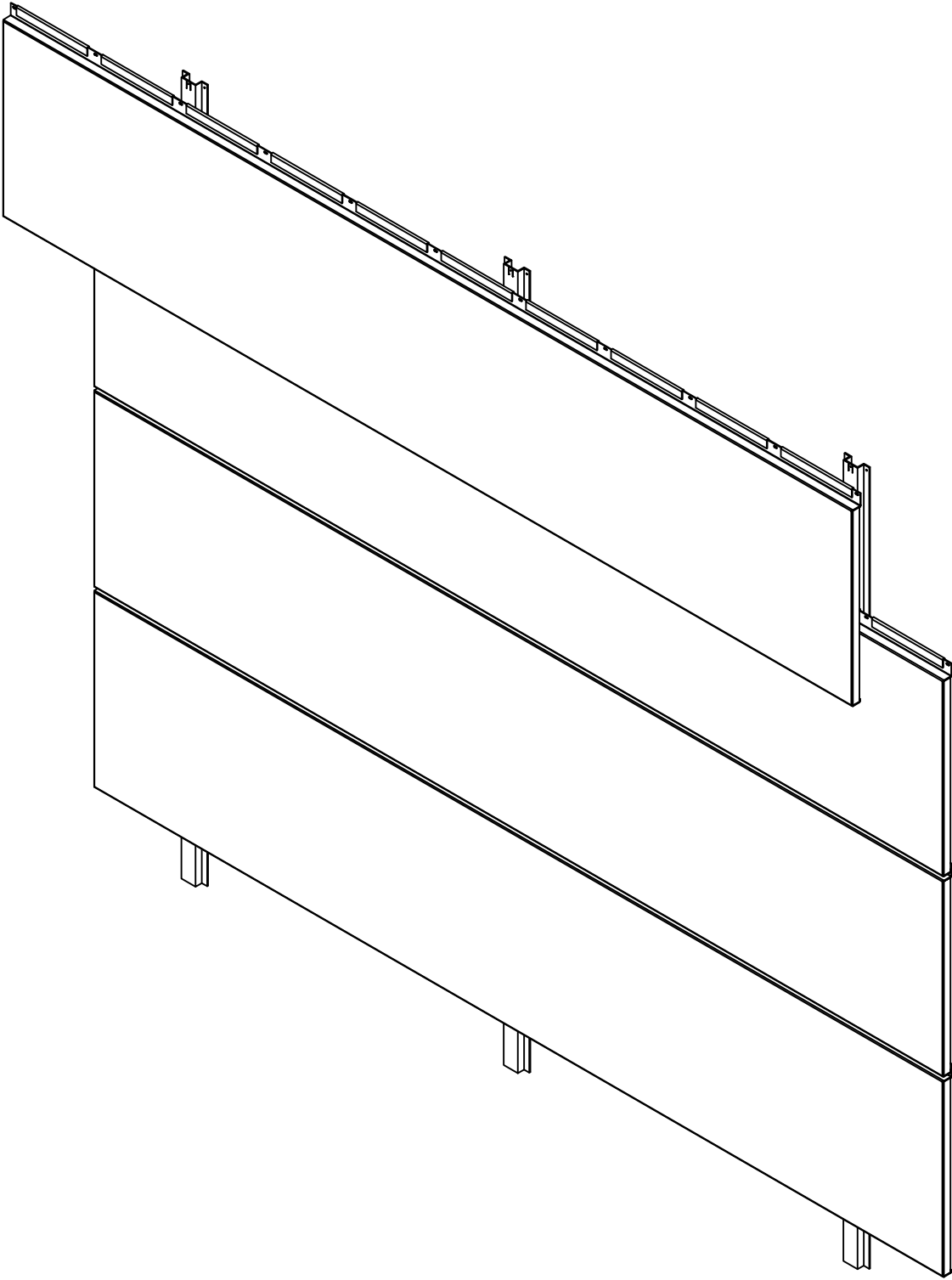


ZAWN SERIES (WALL)



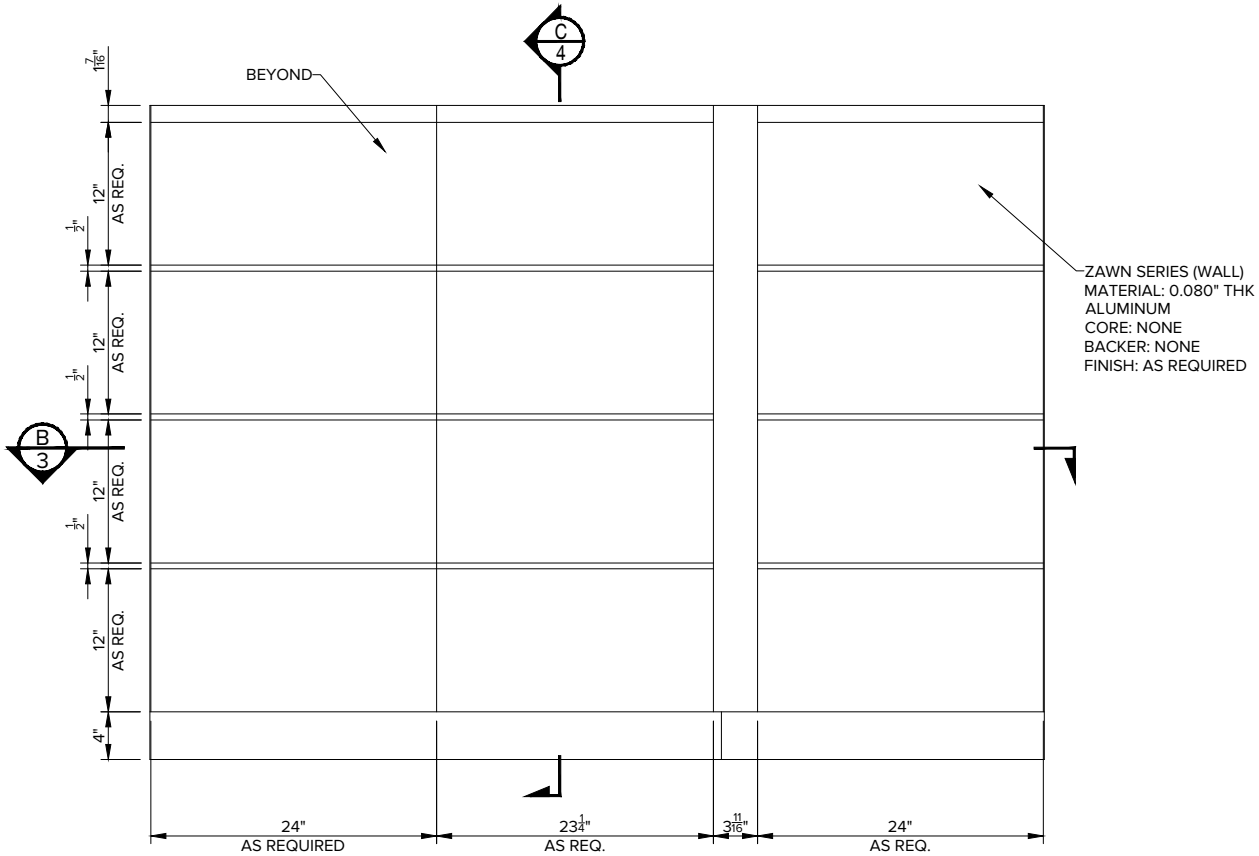
EXTERIOR INTERIOR DSWSP48

*Any copy hereof issued by CARRITEC must be kept confidential and used by the recipient only for the specific purpose for which it is issued in conjunction with materials supplied or purchased and listed hereon.

*Dimensions are imperial.



ZAWN SERIES (WALL)



ELEVATION A

EXTERIOR INTERIOR DSWSP48

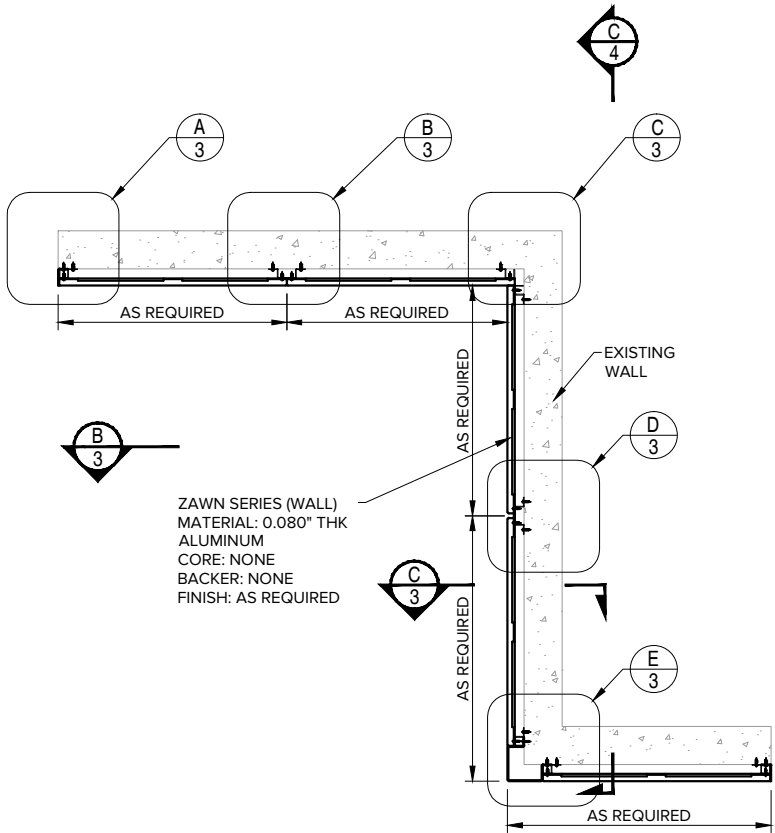
*Any copy hereof issued by CARRITEC must be kept confidential and used by the recipient only for the specific purpose for which it is issued in conjunction with materials supplied or purchased and listed hereon.

*Dimensions are imperial.

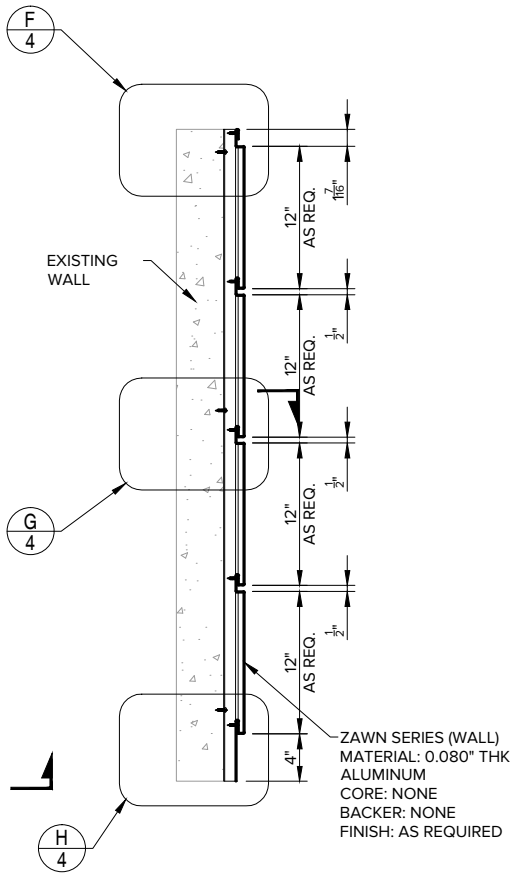
TOLERANCES (UNLESS OTHERWISE SPECIFIED):
 FRACTIONS: + 1/64
 ANGLES: ± 0.5
 DECIMALS: -.XX ± 0.03
 -.XXX ± 0.015



ZAWN SERIES (WALL)



SECTION B



SECTION C

EXTERIOR INTERIOR DSWSP48

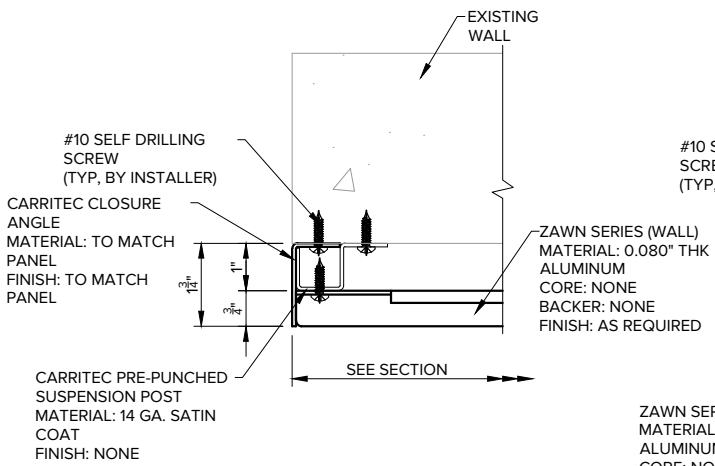
*Any copy hereof issued by CARRITEC must be kept confidential and used by the recipient only for the specific purpose for which it is issued in conjunction with materials supplied or purchased and listed hereon.

*Dimensions are imperial.

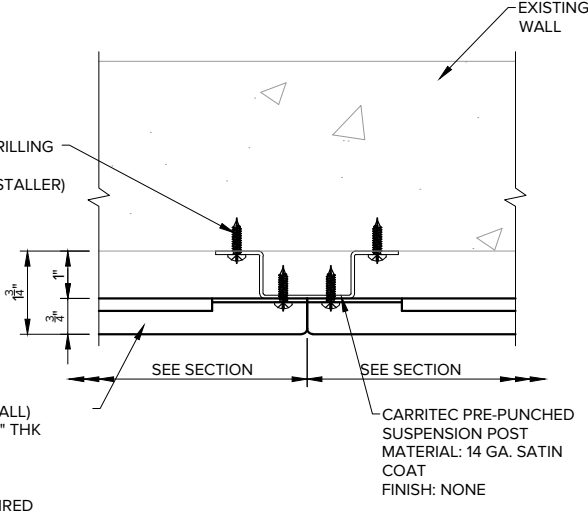
TOLERANCES (UNLESS OTHERWISE SPECIFIED):
 FRACTIONS: + 1/64
 ANGLES: ± 0.5
 DECIMALS: - .XX ± 0.03
 - .XXX ± 0.015



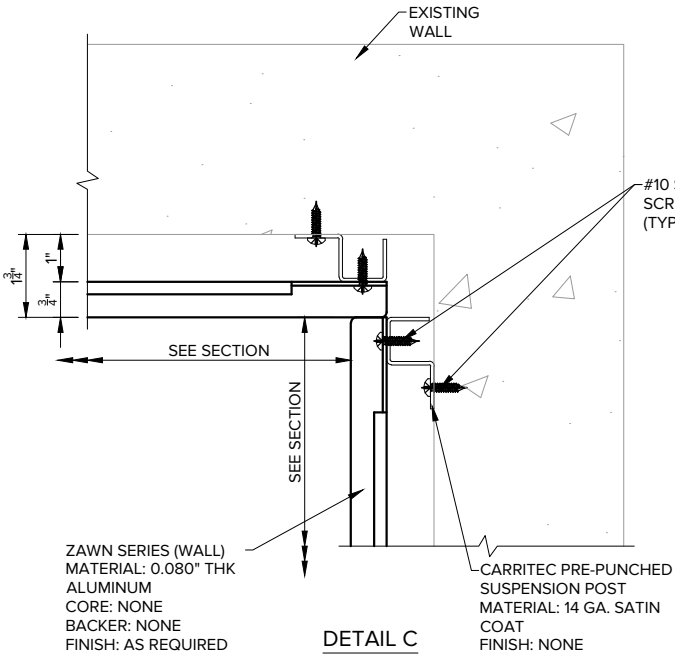
ZAWN SERIES (WALL)



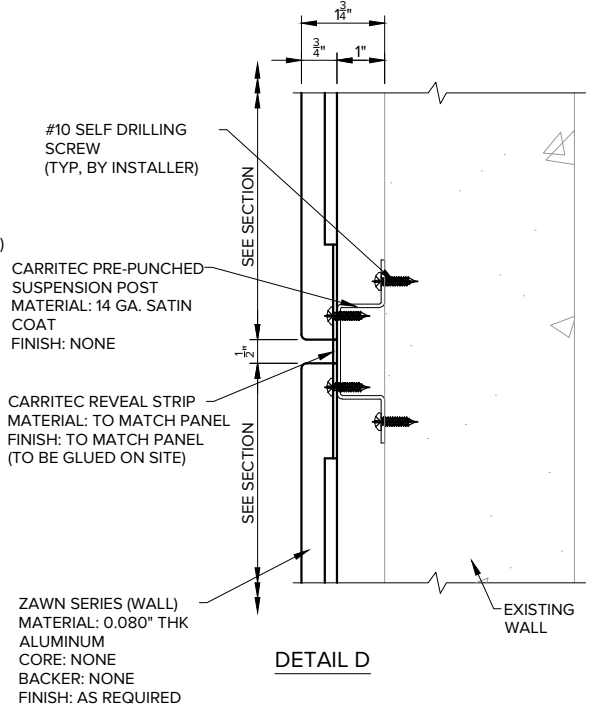
DETAIL A



DETAIL B



DETAIL C



DETAIL D

EXTERIOR INTERIOR DSWSP48

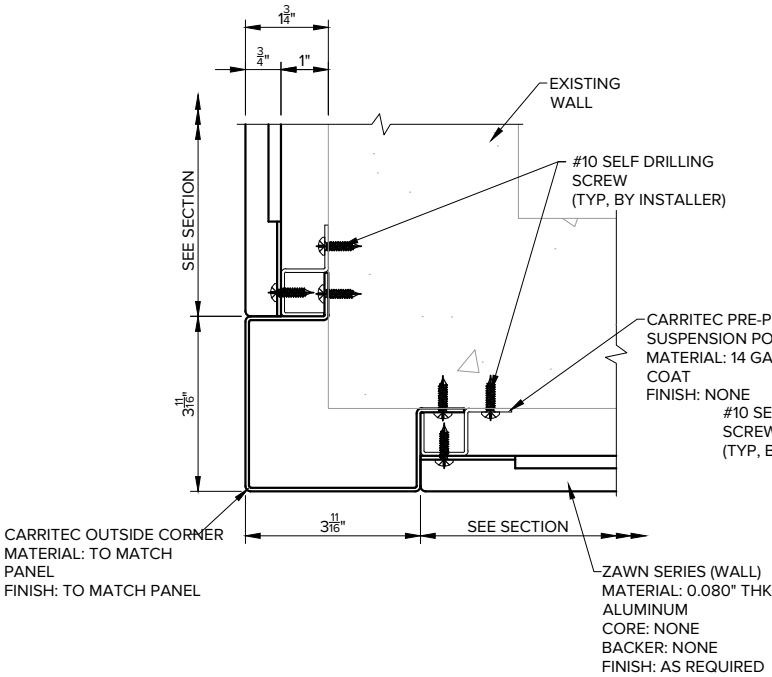
*Any copy hereof issued by CARRITEC must be kept confidential and used by the recipient only for the specific purpose for which it is issued in conjunction with materials supplied or purchased and listed hereon.

*Dimensions are imperial.

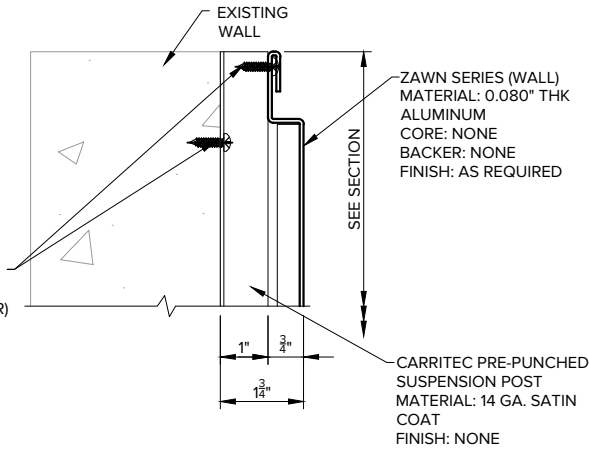
TOLERANCES (UNLESS OTHERWISE SPECIFIED):
 FRACTIONS: + 1/64
 ANGLES: ± 0.5
 DECIMALS: - .XX ± 0.03
 - .XXX ± 0.015



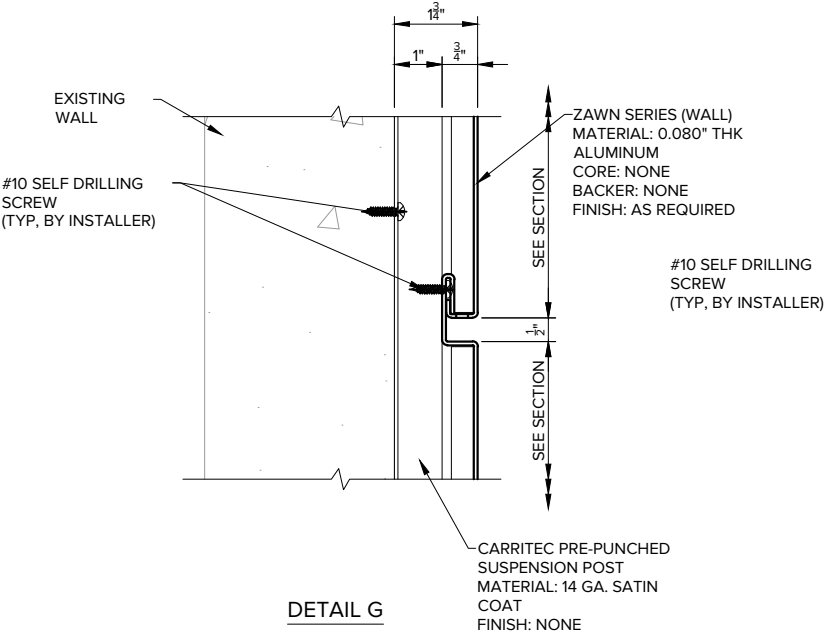
ZAWN SERIES (WALL)



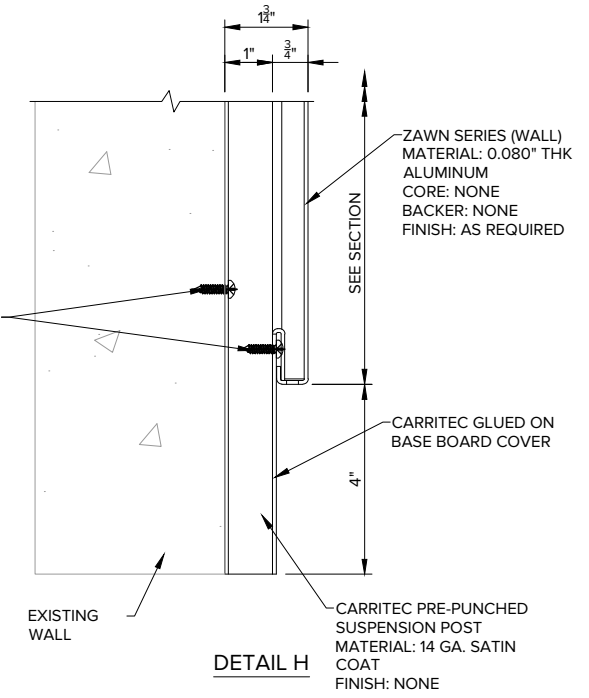
DETAIL E



DETAIL F



DETAIL G



DETAIL H

EXTERIOR INTERIOR DSWSP48

*Any copy hereof issued by CARRITEC must be kept confidential and used by the recipient only for the specific purpose for which it is issued in conjunction with materials supplied or purchased and listed hereon.

*Dimensions are imperial.

TOLERANCES (UNLESS OTHERWISE SPECIFIED):
 FRACTIONS: + 1/64
 ANGLES: ± 0.5
 DECIMALS: -.XX ± 0.03
 -.XXX ± 0.015

