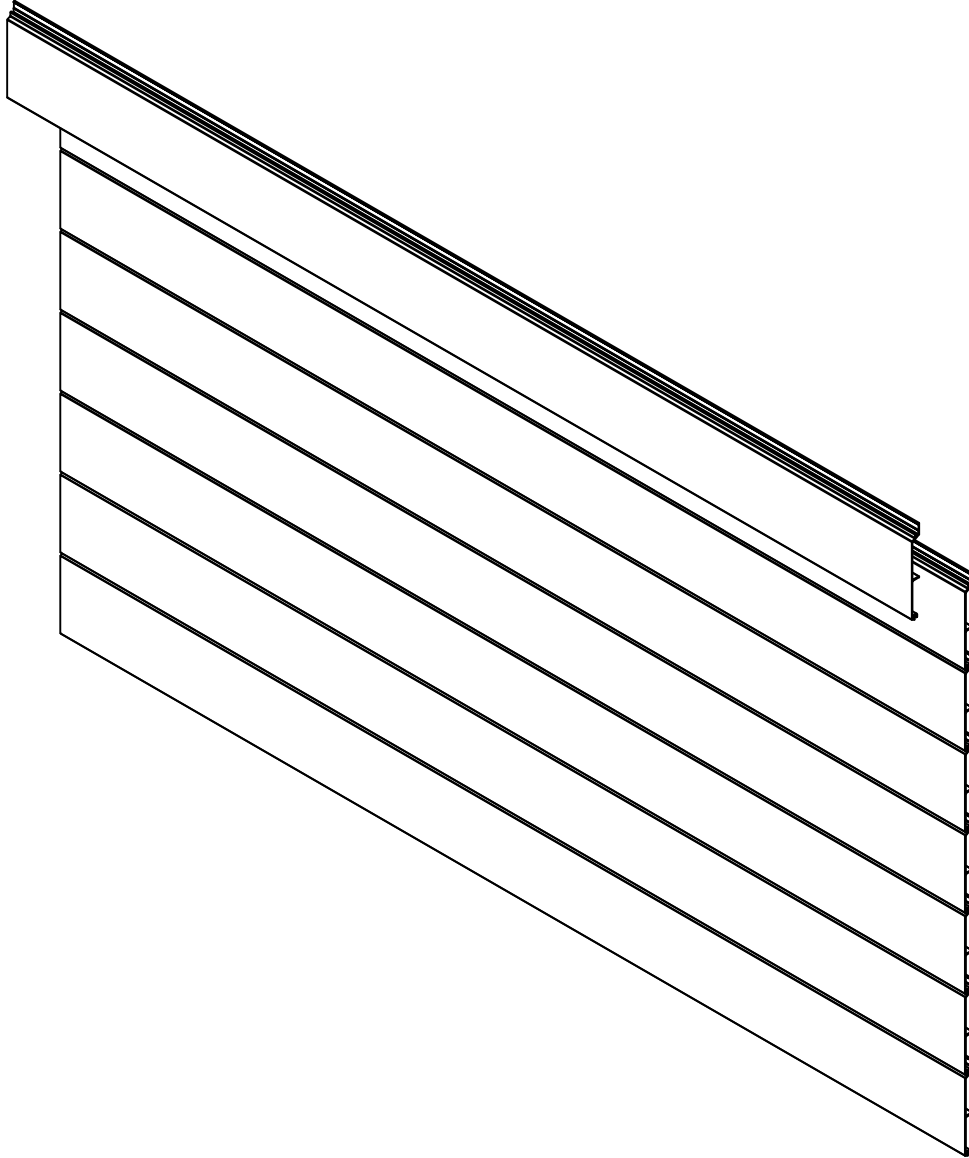


BARRANCA SERIES (WALL)



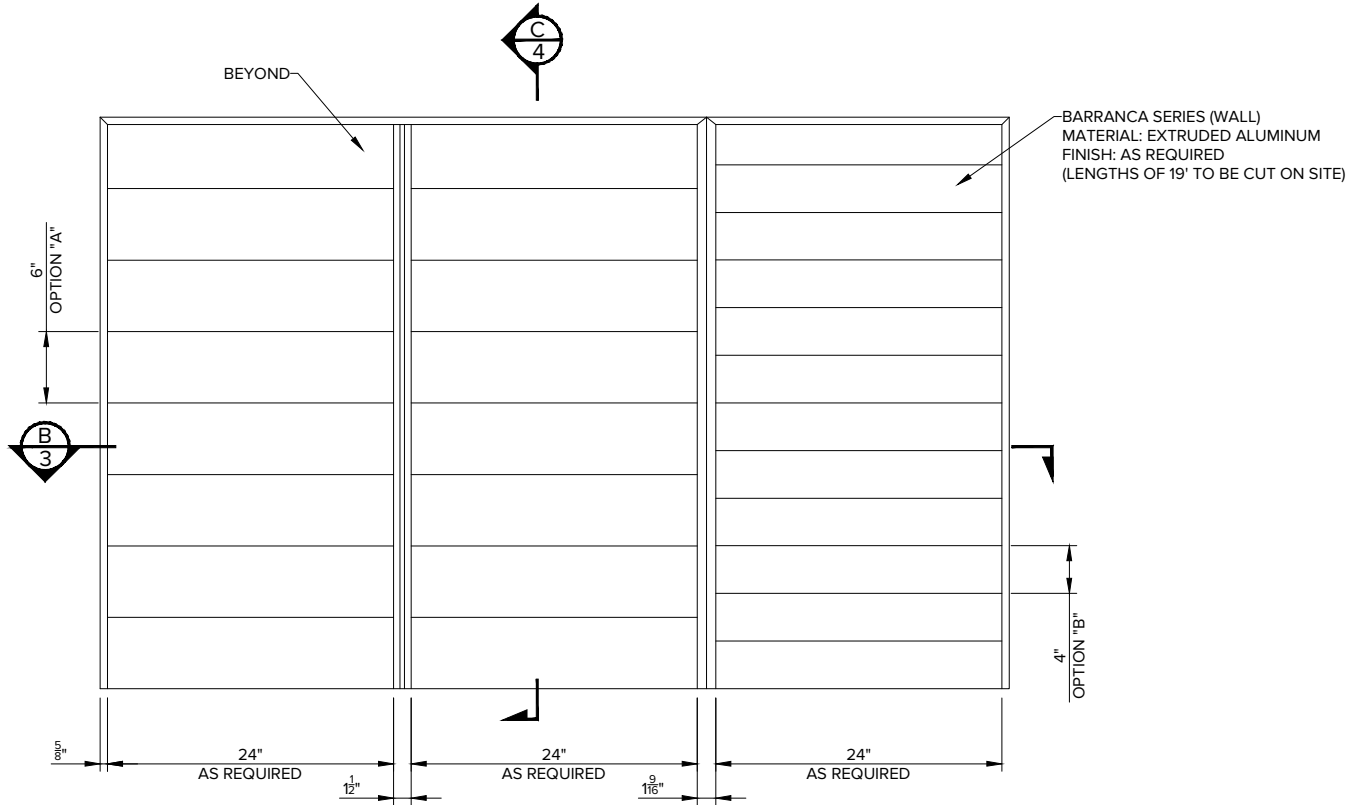
EXTERIOR INTERIOR DSWSP49

*Any copy hereof issued by CARRITEC must be kept confidential and used by the recipient only for the specific purpose for which it is issued in conjunction with materials supplied or purchased and listed hereon.

*Dimensions are imperial.



BARRANCA SERIES (WALL)



ELEVATION A

EXTERIOR INTERIOR DSWSP49

*Any copy hereof issued by CARRITEC must be kept confidential and used by the recipient only for the specific purpose for which it is issued in conjunction with materials supplied or purchased and listed hereon.

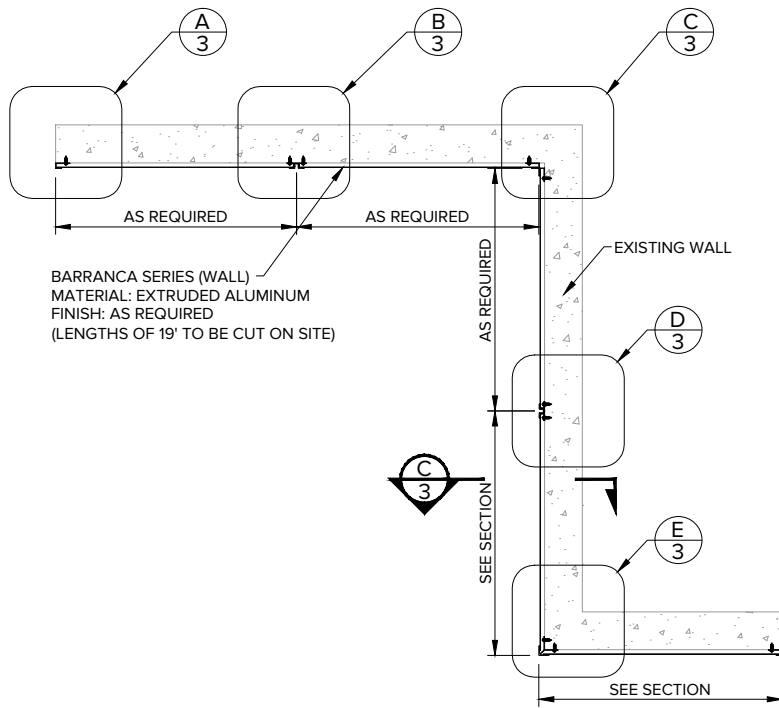
*Dimensions are imperial.

TOLERANCES (UNLESS OTHERWISE SPECIFIED):

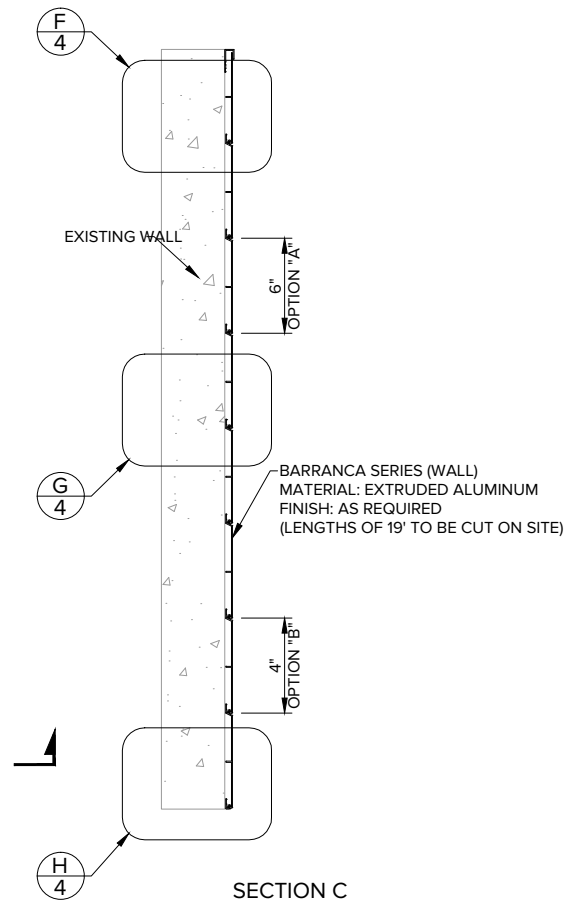
FRACTIONS: + 1/64
 ANGLES: ± 0.5
 DECIMALS: -.XX ± 0.03
 -.XXX ± 0.015



BARRANCA SERIES (WALL)



BARRANCA SERIES (WALL)
 MATERIAL: EXTRUDED ALUMINUM
 FINISH: AS REQUIRED
 (LENGTHS OF 19' TO BE CUT ON SITE)



BARRANCA SERIES (WALL)
 MATERIAL: EXTRUDED ALUMINUM
 FINISH: AS REQUIRED
 (LENGTHS OF 19' TO BE CUT ON SITE)



EXTERIOR INTERIOR DSWSP49

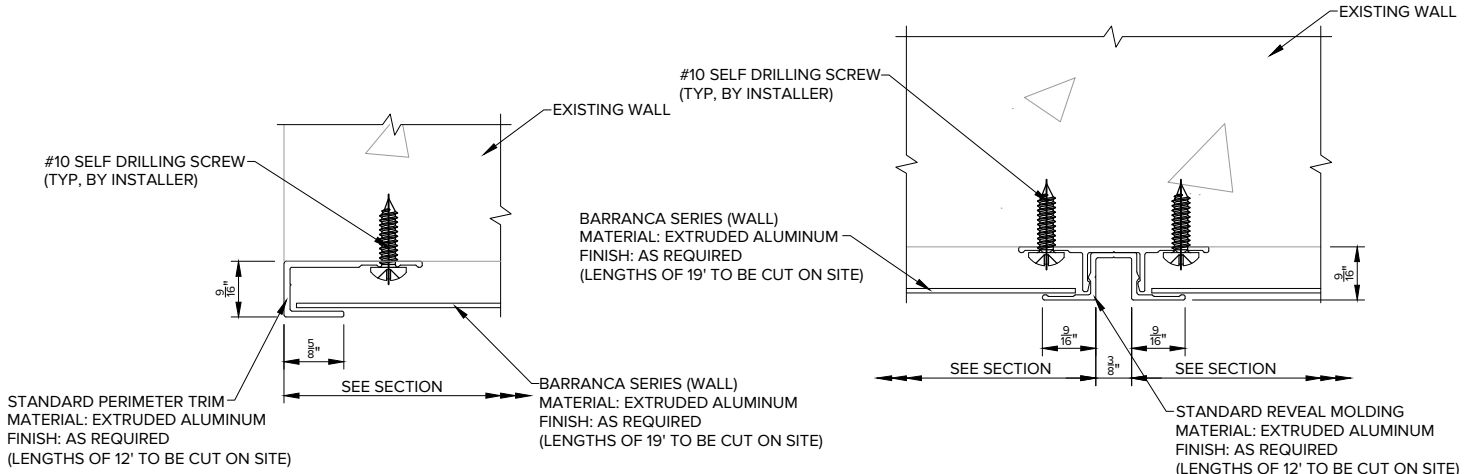
*Any copy hereof issued by CARRITEC must be kept confidential and used by the recipient only for the specific purpose for which it is issued in conjunction with materials supplied or purchased and listed hereon.

*Dimensions are imperial.

TOLERANCES (UNLESS OTHERWISE SPECIFIED):
 FRACTIONS: + 1/64
 ANGLES: ± 0.5
 DECIMALS: - .XX ± 0.03
 - .XXX ± 0.015

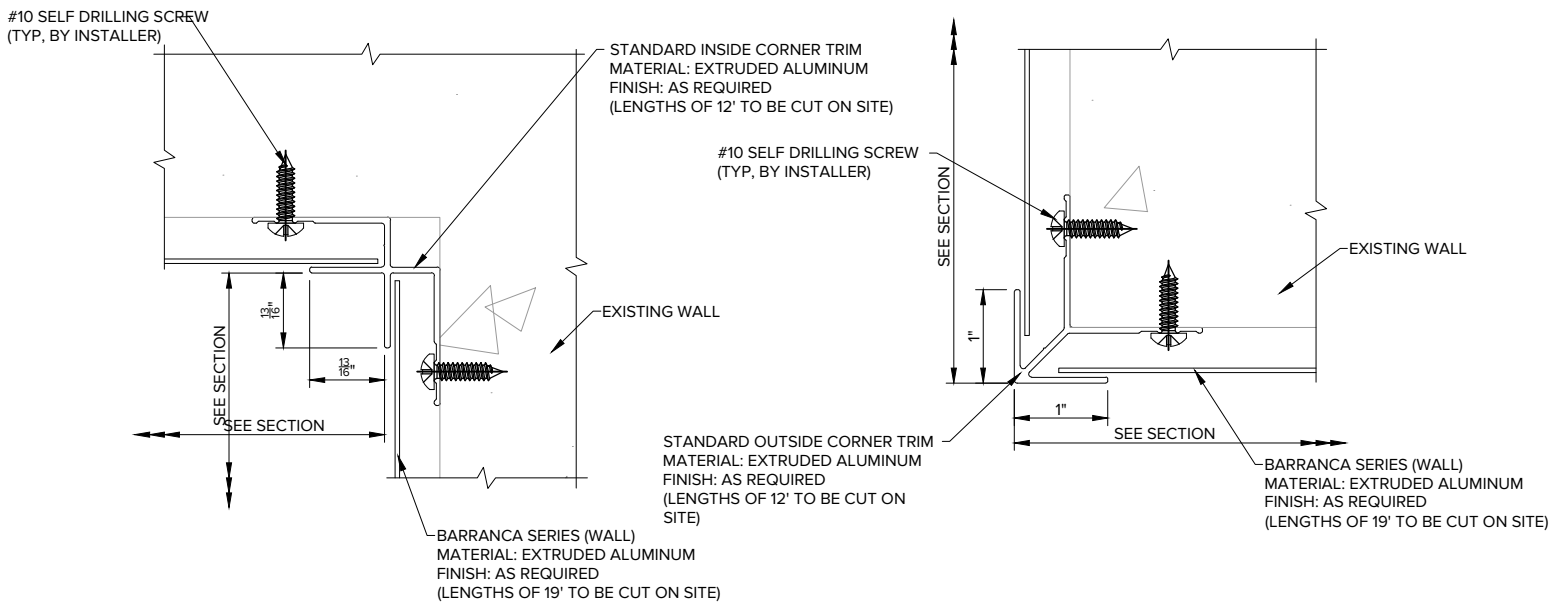


BARRANCA SERIES (WALL)



DETAIL A

DETAIL B



DETAIL C

DETAIL D

EXTERIOR INTERIOR DSWSP49

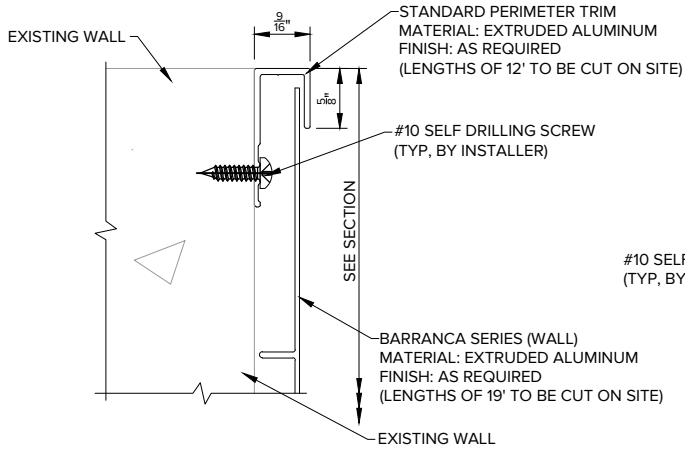
*Any copy hereof issued by CARRITEC must be kept confidential and used by the recipient only for the specific purpose for which it is issued in conjunction with materials supplied or purchased and listed hereon.

*Dimensions are imperial.

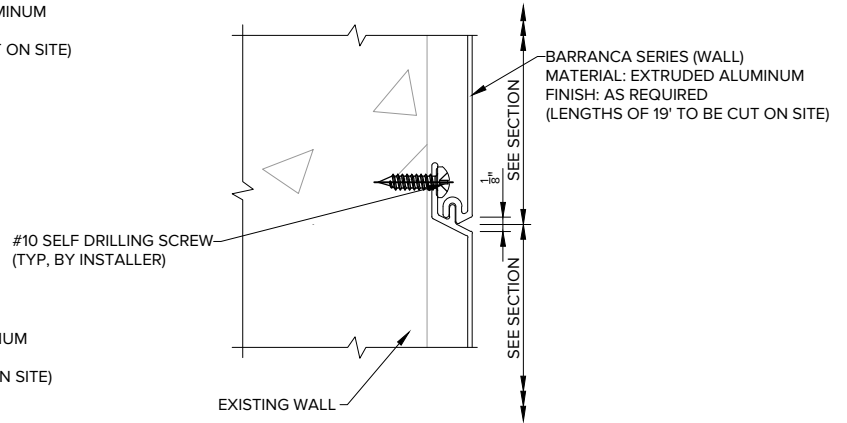
TOLERANCES (UNLESS OTHERWISE SPECIFIED):
 FRACTIONS: + 1/64
 ANGLES: ± 0.5
 DECIMALS: - .XX ± 0.03
 - .XXX ± 0.015



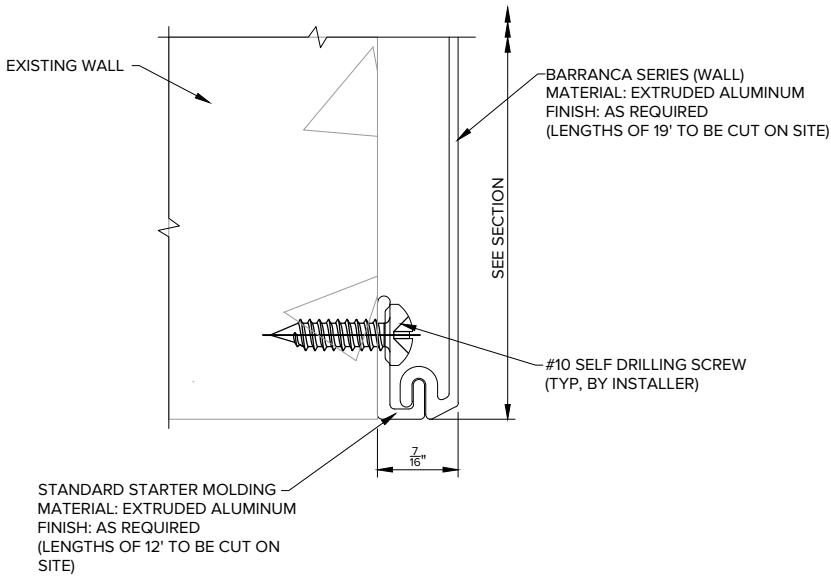
BARRANCA SERIES (WALL)



DETAIL E



DETAIL F



DETAIL G

EXTERIOR INTERIOR DSWSP49

*Any copy hereof issued by CARRITEC must be kept confidential and used by the recipient only for the specific purpose for which it is issued in conjunction with materials supplied or purchased and listed hereon.

*Dimensions are imperial.

TOLERANCES (UNLESS OTHERWISE SPECIFIED):
 FRACTIONS: + 1/64
 ANGLES: ± 0.5
 DECIMALS: -.XX ± 0.03
 -.XXX ± 0.015

