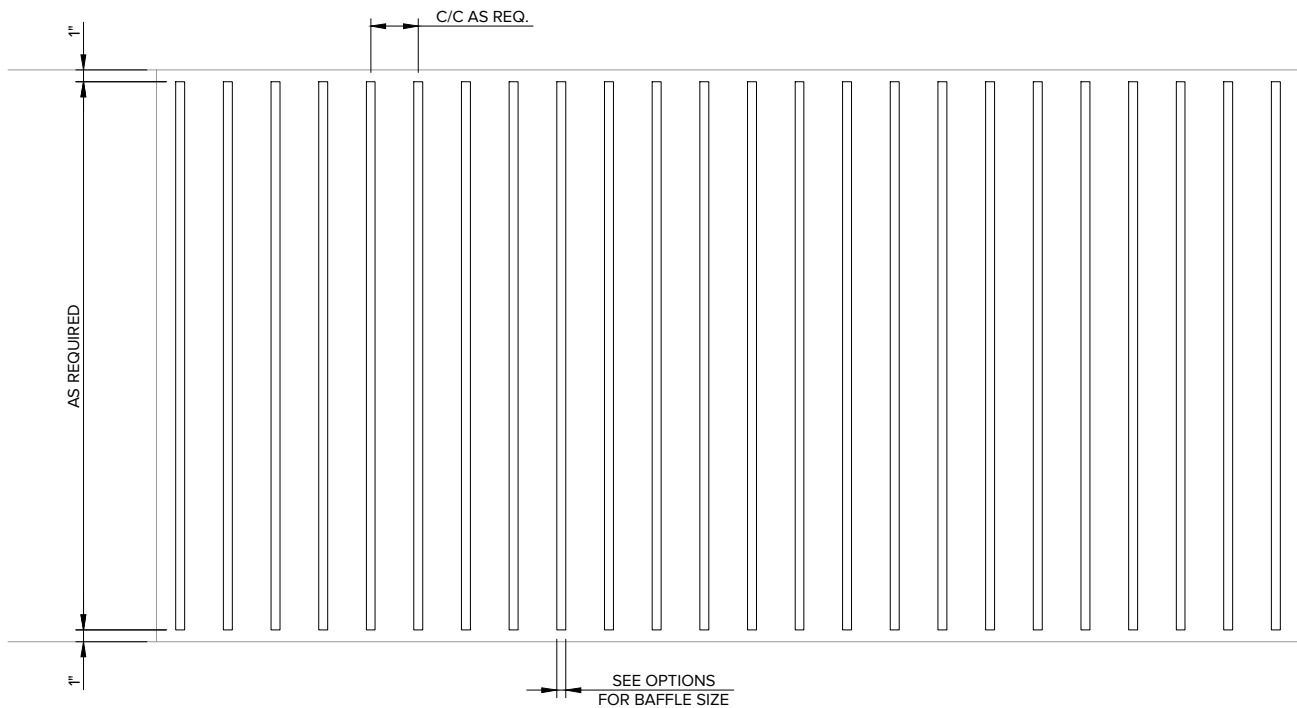


EXTERIOR INTERIOR DSWSP50

*Any copy hereof issued by CARRITEC must be kept confidential and used by the recipient only for the specific purpose for which it is issued in conjunction with materials supplied or purchased and listed hereon.

*Dimensions are imperial.



ELEVATION A

EXTERIOR INTERIOR DSWSP50

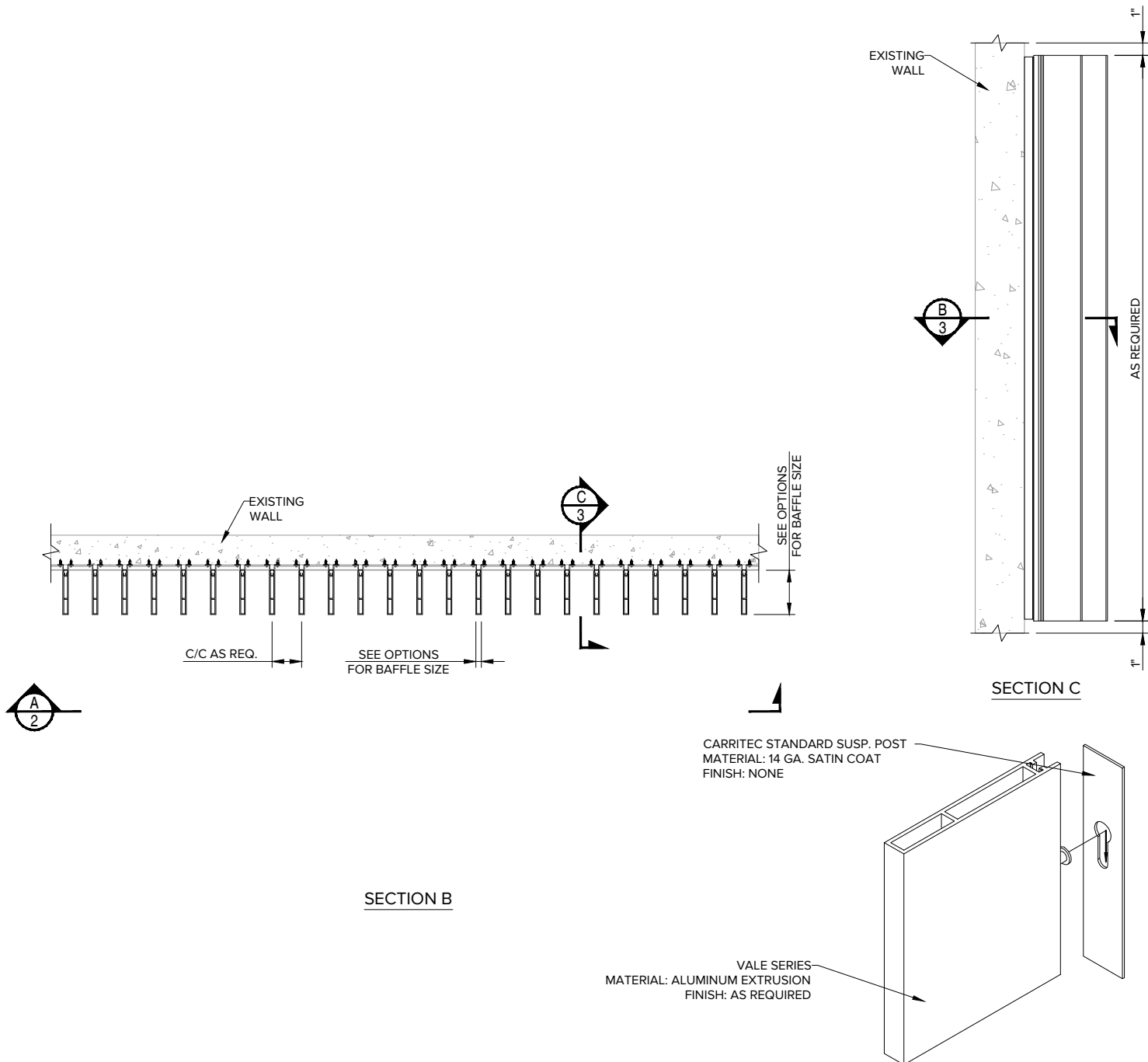
*Any copy hereof issued by CARRITEC must be kept confidential and used by the recipient only for the specific purpose for which it is issued in conjunction with materials supplied or purchased and listed hereon.

*Dimensions are imperial.

TOLERANCES (UNLESS OTHERWISE SPECIFIED):

FRACTIONS: +1/64
ANGLES: ± 0.5
DECIMALS: -.XX ± 0.03
 -.XXX ± 0.015

VALE SERIES



EXTERIOR INTERIOR DSWSP50

*Any copy hereof issued by CARRITEC must be kept confidential and used by the recipient only for the specific purpose for which it is issued in conjunction with materials supplied or purchased and listed hereon.

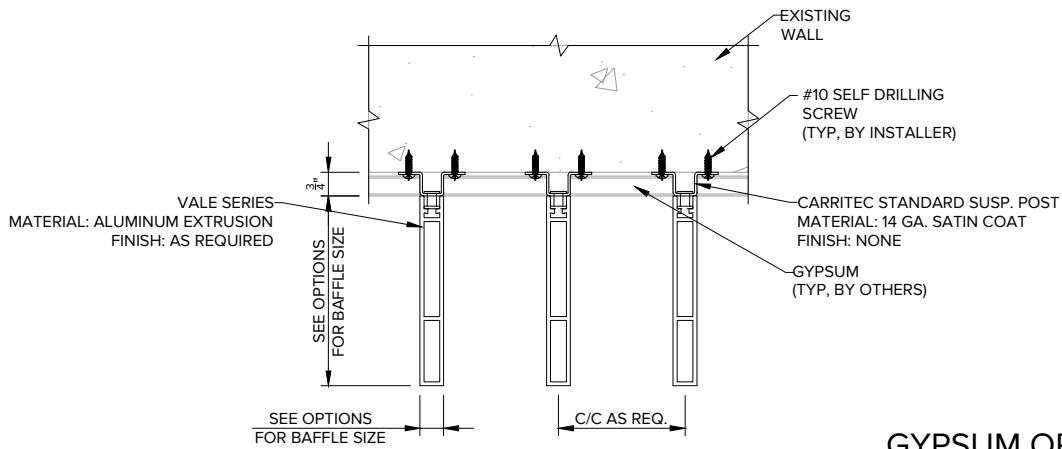
*Dimensions are imperial.

TOLERANCES (UNLESS OTHERWISE SPECIFIED):

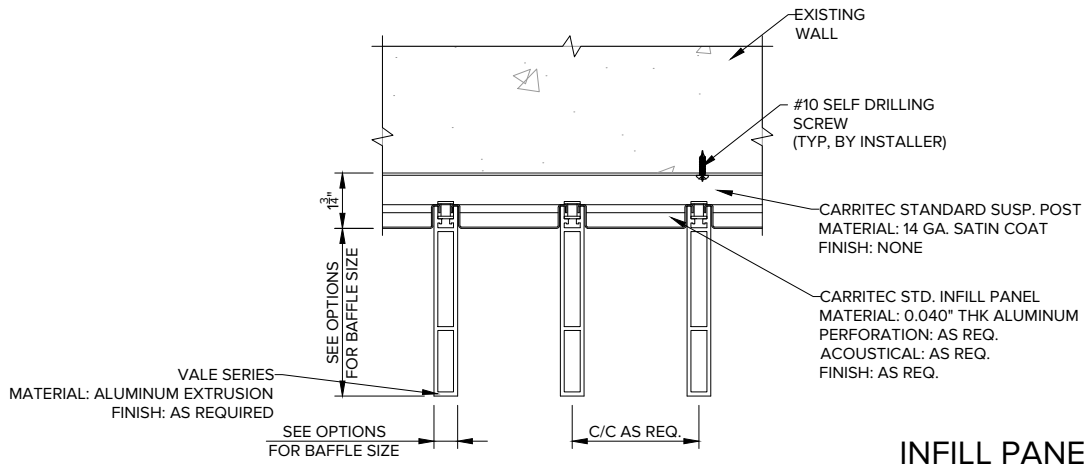
FRACTIONS: + 1/64
 ANGLES: ± 0.5
 DECIMALS: -.XX ± 0.03
 -.XXX ± 0.015



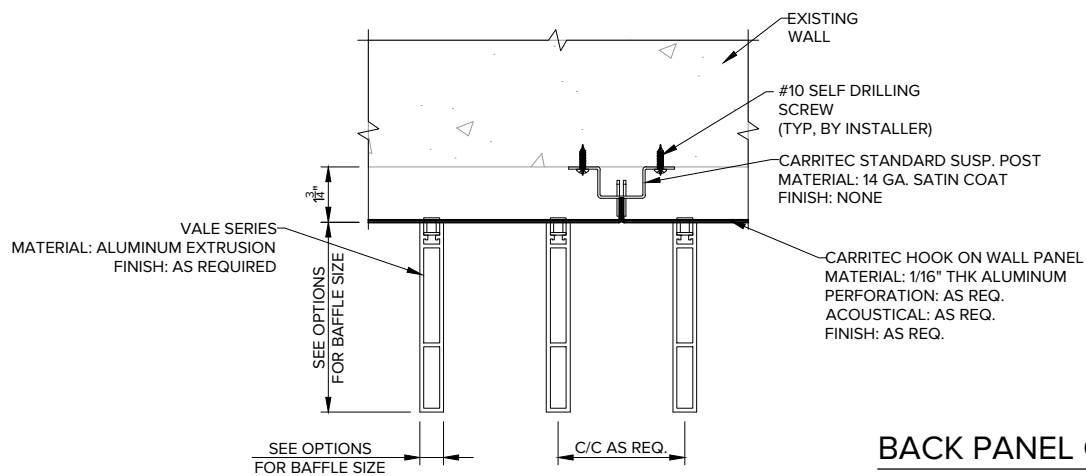
VALE SERIES



GYPSUM OPTION



INFILL PANEL OPTION



BACK PANEL OPTION

EXTERIOR INTERIOR DSWSP50

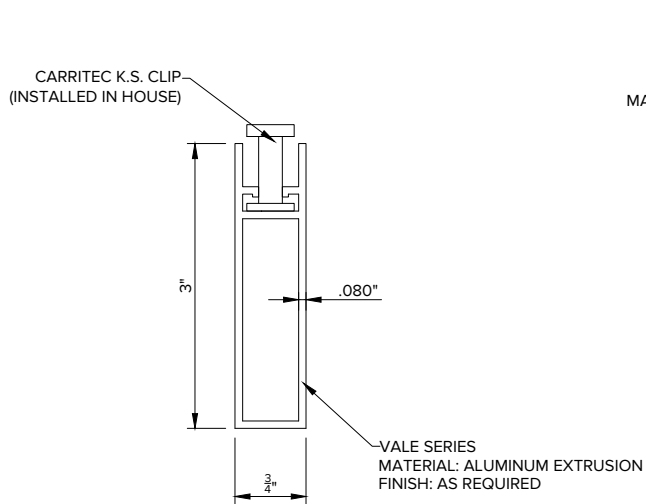
*Any copy hereof issued by CARRITEC must be kept confidential and used by the recipient only for the specific purpose for which it is issued in conjunction with materials supplied or purchased and listed hereon.

*Dimensions are imperial.

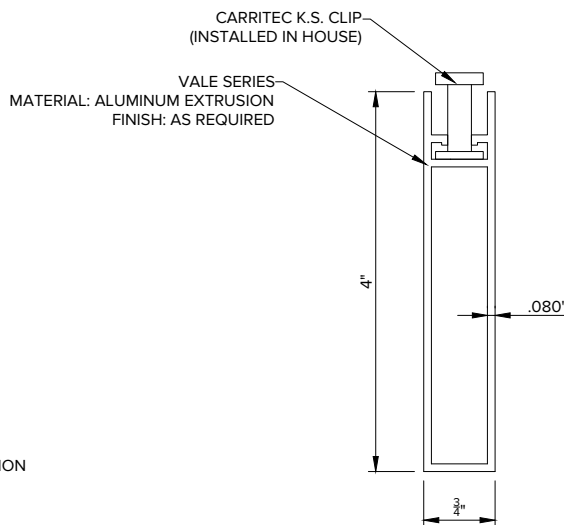
TOLERANCES (UNLESS OTHERWISE SPECIFIED):
 FRACTIONS: + 1/64
 ANGLES: ± 0.5
 DECIMALS: -.XX ± 0.03
 -.XXX ± 0.015



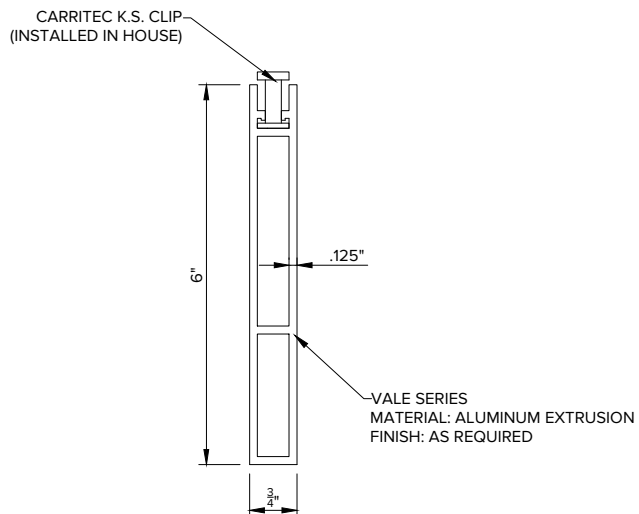
VALE SERIES



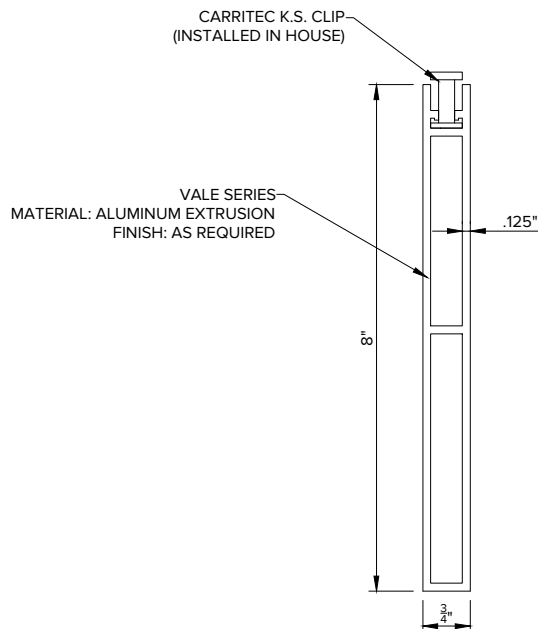
OPTION 1a



OPTION 1b



OPTION 1c



OPTION 1d

EXTERIOR INTERIOR DSWSP50

*Any copy hereof issued by CARRITEC must be kept confidential and used by the recipient only for the specific purpose for which it is issued in conjunction with materials supplied or purchased and listed hereon.

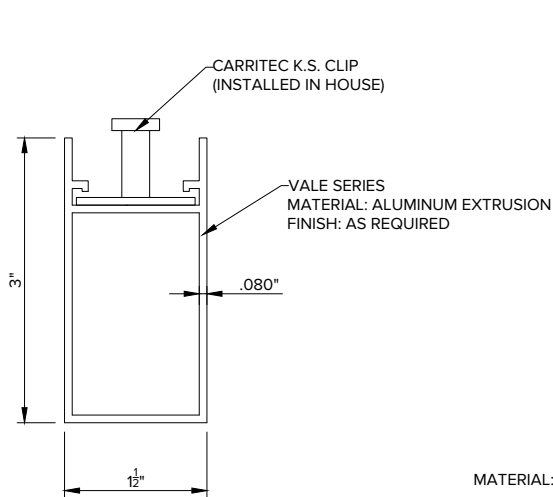
*Dimensions are imperial.

TOLERANCES (UNLESS OTHERWISE SPECIFIED):

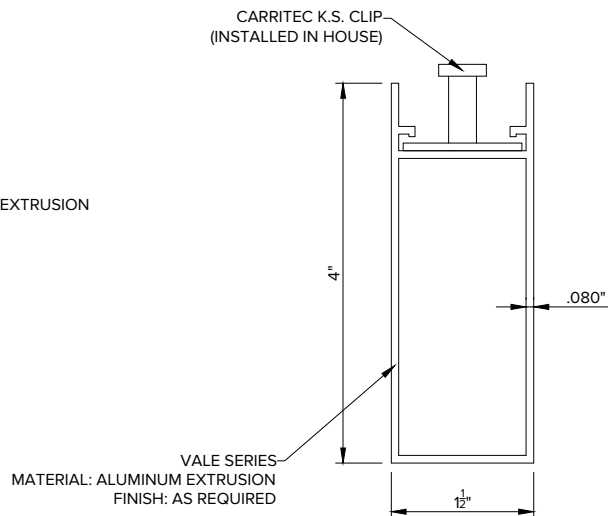
FRACTIONS: + 1/64
 ANGLES: ± 0.5
 DECIMALS: -.XX ± 0.03
 -.XXX ± 0.015



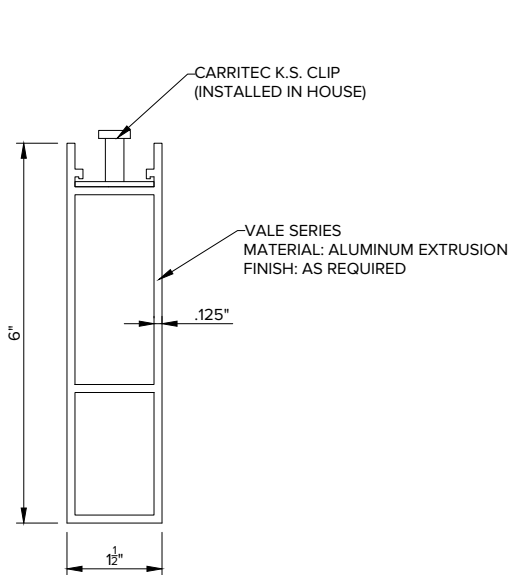
VALE SERIES



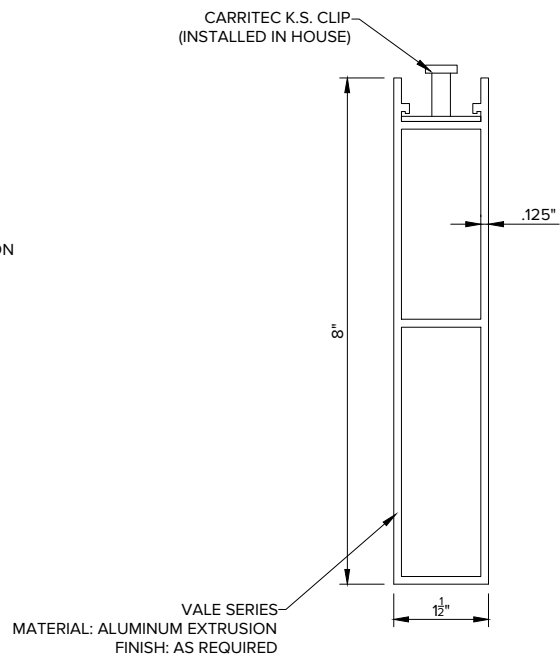
OPTION 2a



OPTION 2b



OPTION 2c



OPTION 2d

EXTERIOR INTERIOR DSWSP50

*Any copy hereof issued by CARRITEC must be kept confidential and used by the recipient only for the specific purpose for which it is issued in conjunction with materials supplied or purchased and listed hereon.

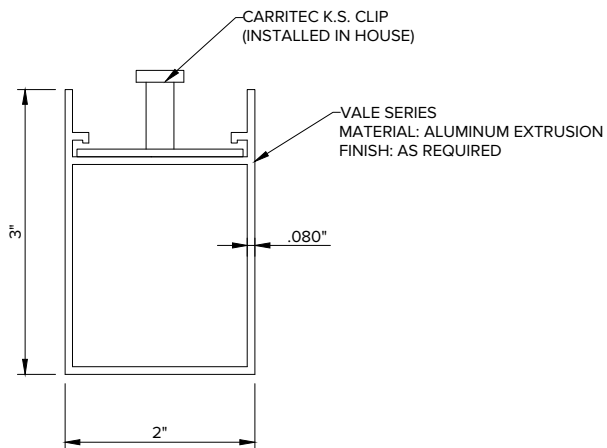
*Dimensions are imperial.

TOLERANCES (UNLESS OTHERWISE SPECIFIED):

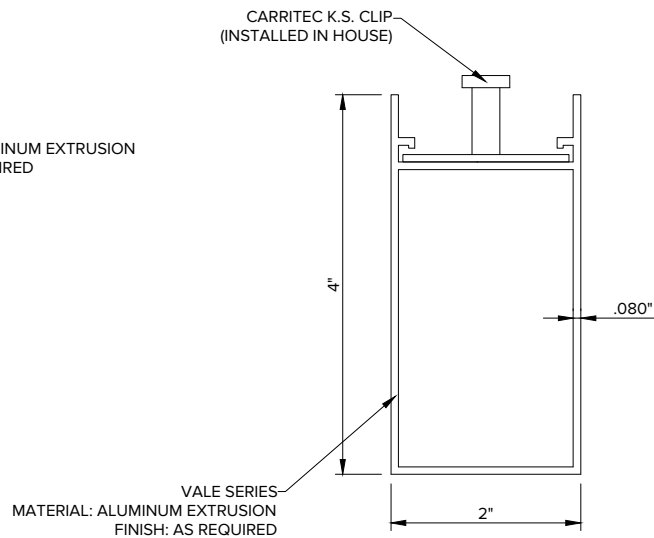
FRACTIONS: + 1/64
 ANGLES: ± 0.5
 DECIMALS: -.XX ± 0.03
 -.XXX ± 0.015



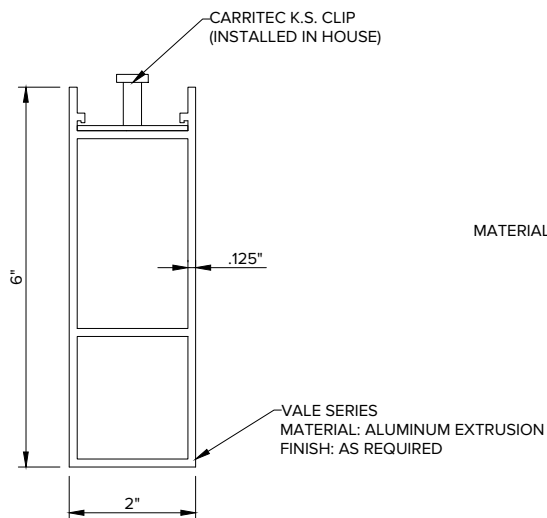
VALE SERIES



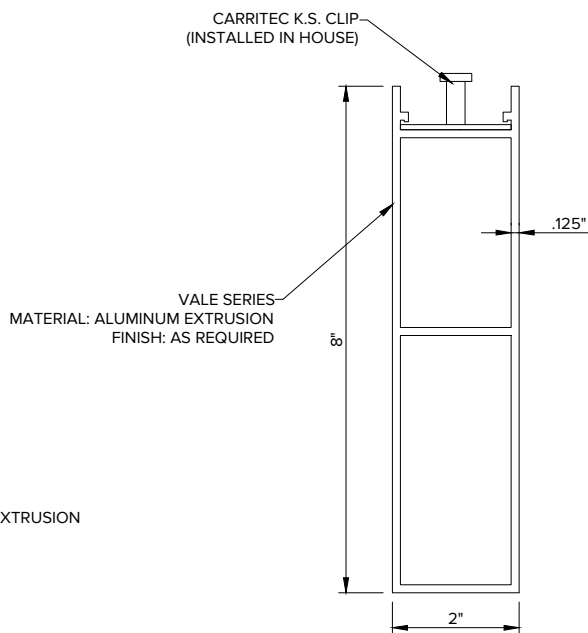
OPTION 3a



OPTION 3b



OPTION 3c



OPTION 3d

EXTERIOR INTERIOR DSWSP50

*Any copy hereof issued by CARRITEC must be kept confidential and used by the recipient only for the specific purpose for which it is issued in conjunction with materials supplied or purchased and listed hereon.

*Dimensions are imperial.

TOLERANCES (UNLESS OTHERWISE SPECIFIED):

FRACTIONS: + 1/64
 ANGLES: ± 0.5
 DECIMALS: -.XX ± 0.03
 -.XXX ± 0.015

